

**Serie | 8, Wall-mounted Extractor
Hood, 90 cm, Grey
DWF97MP70**



Flat design hood: always keep an eye on your pots and pans with this design highlight.

- **Especially silent:** maximal extractor performance with minimal noise
- **Easy-to-clean interior:** hidden screws and cables along with rounded edges make cleaning easy.
- **Intensive speed setting:** removes strong kitchen odours especially quickly and effectively.
- **Extraction rate:** at MAX_FOERDERLEISTUNG m³/h, it quickly ensures optimal kitchen air quality.

Technical data

Typology :	Chimney
Approval certificates :	CE, Eurasian, Ukraine, VDE
Length electrical supply cord (cm) :	130
Height of product, without chimney (mm) :	430
Net weight (kg) :	25.078
Type of control :	Electronic
Number of speed settings :	3-stage + 2 intensive
Maximum output air extraction (m ³ /h) :	394
Boost position output recirculating (m ³ /h) :	527.0
Boost position air extraction (m ³ /h) :	717
Number of lights :	2
Noise level (dB(A) re 1 pW) :	57
Diameter of air outlet (mm) :	120 / 150
Grease filter material :	Washable aluminium
Odour filter :	No
Operating Mode :	Convertible
Delay Shut off modes :	10
Optional accessories :	DWZOAF0A0, DWZOAF0R0, DWZOAF0S0, DWZOAF0T0, DWZOAF0U0, DWZOAX5K0, DWZOAX5L0, DWZ1AF1B6, DWZ1AF1I6, DWZ1AF1V6, DWZ1AX5C6, DZZ0XX0P0, DZZ1XX1B6
Type of lamps used :	LED
Grease filter type :	Kassette
Connection Rating (W) :	146
Current (A) :	10
Voltage (V) :	220-240
Frequency (Hz) :	50; 60
Installation typology :	Wall-mounted
Material body :	Glass, Lacquered
Approval certificates :	CE, Eurasian, Ukraine, VDE
Dimensions of the product, with chimney (if exists) (in) :	/ x x
Dimensions of the packed product (in) :	21.25 x 29.13 x 40.94
Net weight (lbs) :	55.000
Gross weight (lbs) :	70.000
Motor location :	Integrated motor in hood body
No-return airflow flap :	No
Length electrical supply cord (cm) :	130
Dimensions of the product, with chimney (if exists) (mm) :	500 x 890.0 x 263.0
Dimensions of the packed product (HxWxD) (mm) :	540 x 740 x 1040
Net weight (kg) :	25.078
Gross weight (kg) :	31.9

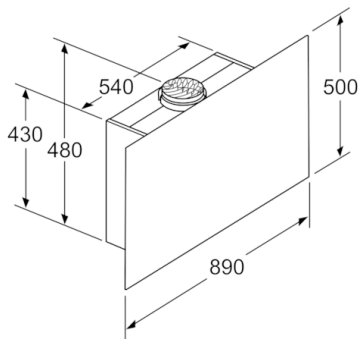
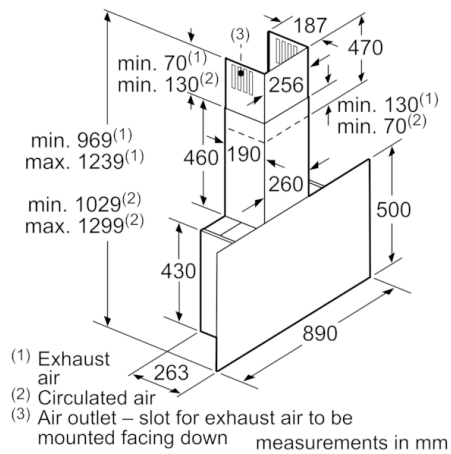
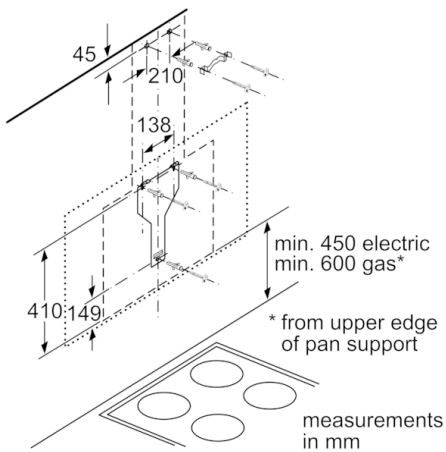


Serie | 8, Wall-mounted Extractor Hood, 90 cm, Grey DWF97MP70

Flat design hood: always keep an eye on your pots and pans with this design highlight.

- Energy Efficiency Class: B*
- Noise max. Normal Level: 57 dB*
- Chimney extractor hood
- Suitable for ducted or recirculating operation
- In recirculation operation chimless use possible
- For recirculated extraction a recirculating kit or a CleanAir recirculation kit (accessory) is needed
- Designed for wall mounted installation
- Electronic controls via touch control with lightline
- 3-stage + 2 intensive
- 2 capture areas: front side and bottom side
- softlight dimmer function
- 2 x 3W LED
- Light Intensity: 589 lux
- Colour Temperature: 3500 K
- Metal grease filter with side extraction
- grease- and charcoal filter
- Removable metal grease filters, dishwasher safe
- Max. extraction rate: 717 m³/h
- Dimensions recirculating, chimless (HxWxD): 500 mm x 890 x 263 mm

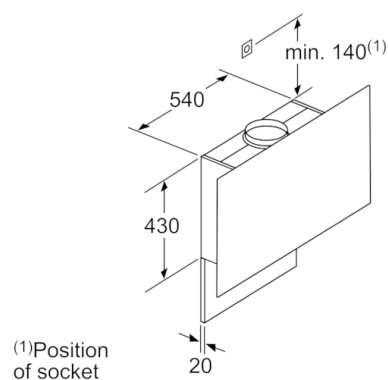
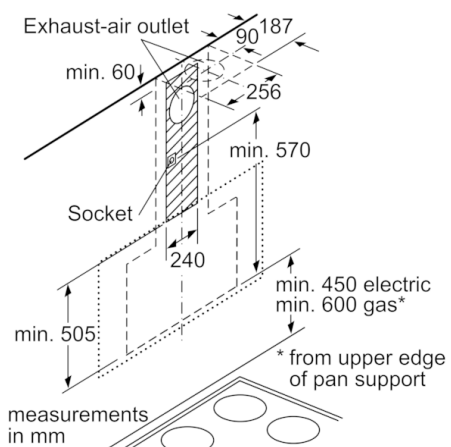
Serie | 8, Wall-mounted Extractor Hood, 90 cm, Grey DWF97MP70



Appliance in circulated air mode without duct
Circulated air set required
measurements in mm



measurements in mm



Note the maximum thickness of the back panel.
measurements in mm