

Series 6, Wall-mounted Extractor Hood, 90 cm, clear glass black printed DWF97KM60



Flat design hood: always keep an eye on your pots and pans with this design highlight.

- **Especially silent:** maximal extractor performance with minimal noise
- **Easy-to-clean interior:** hidden screws and cables along with rounded edges make cleaning easy.
- **TouchSelect control:** quick touch-control selection of desired settings and light. TouchSelect control: quick touch-control selection of desired settings and light.
- **Intensive speed setting:** removes strong kitchen odours especially quickly and effectively.
- **Extraction rate:** at MAX_FOERDERLEISTUNG m³/h, it quickly ensures optimal kitchen air quality.

HEZG9AS00S	Adapter
DWZ0AF0R0	Long Life recirculation kit (chimless)
DWZ0AF0S0	Long Life recirculation kit
DWZ0AX5K0	Chimney extension 1000 mm
DWZ0AX5L0	Chimney extension 1500 mm
DWZ1AF1B6	Clean Air Plus odor filter (replacement)
DWZ1AF1I6	Clean Air Plus recirculation kit
DWZ1AF1V6	Clean Air Plus recirc. kit (chimless)
DWZ1AX5C6	Clean Air Plus recirc. kit external
DWZ1AX6E1	Chimney standard black
DZZ0XX0P0	Long Life odor filter (replacement)
DZZ1XX1B6	Clean Air Plus odor filter (replacement)

Typology:Wall-mounted
Length electrical supply cord: 130.0 cm
Height of the appliance: 430 mm
Minimum distance above an electric hob: 450 mm
Minimum distance above a gas hob:650 mm
Net weight: 24.2 kg
Type of control:Electronic
Number of speed settings: 3-stages + intensive setting
Max. air extraction:405 m ³ /h
Boost position output recirculating: 404 m ³ /h
Max. air recirculation: 249 m ³ /h
Boost position air extraction: 739 m ³ /h
Maximum Air flow:405 m ³ /h
Number of lights: 2
Noise level:58 dB(A) re 1 pW
Diameter of air outlet: 120 / 150 mm
Grease filter material:Washable aluminium
EAN code:4242002946511
Connection rating: 143 W
Fuse protection:10 A
Voltage: 220-240 V
Frequency: 50; 60 Hz
Plug type: Gady plug w/ earthing
Installation typology:Wall-mounted



Series 6, Wall-mounted Extractor Hood, 90 cm, clear glass black printed DWF97KM60

- Dimensions recirculating, chimless (HxWxD): 500 mm x 890 x 263 mm

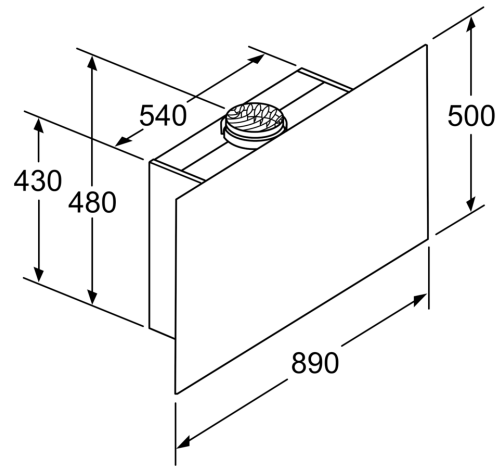
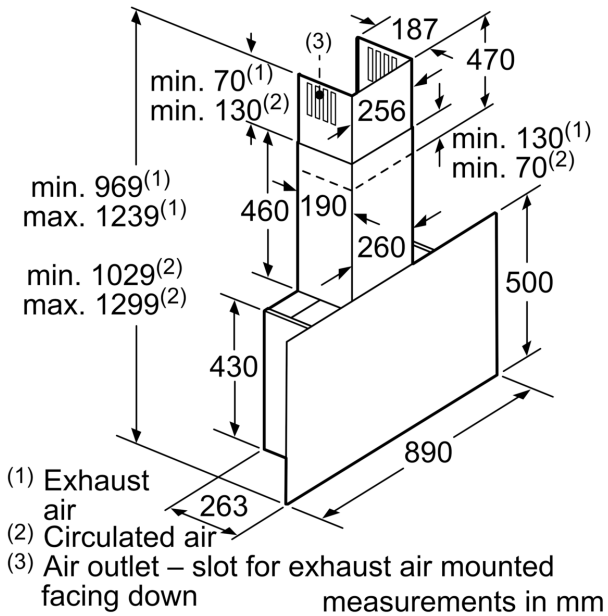
Flat design hood: always keep an eye on your pots and pans with this design highlight.

- Energy Efficiency Class: A*
- Average Energy Consumption: 39 kWh/year*
- Noise max. Normal Level: 58 dB*

Technical information:

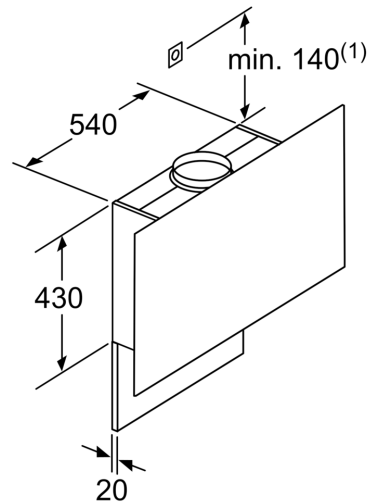
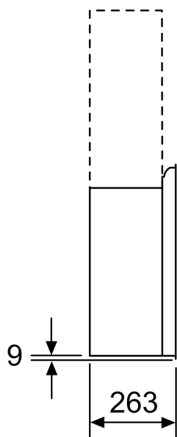
- Chimney extractor hood
- 90 cm
- Glas plate: clear glass black printed
- Suitable for ducted or recirculating operation
- In recirculation operation chimless use possible
- For recirculated extraction a recirculating kit or a CleanAir recirculation kit (accessory) is needed
- Designed for wall mounted installation
- Gas spring 3
- touch control for extractor speeds and light
- Electronic controls
- touch control with Electronic display
- 3 speed + intensive operation via touch control
- Electronic controls via touch control with Electronic display
- touch control (3 speed + intensive operation) with Electronic display
- 3 speed + intensive operation
- 2 capture areas: front side and bottom side
- Intensive op. revert dur.: 6 min.
- Easy to clean
- BLDC for Ventilation
- 2 single inlet vertical, BLDC for Ventilation
- 2 x 1,5W LED
- Metal grease filter with side extraction
- Filter cover glass
- Removable metal grease filters, dishwasher safe
- Extraction rate according to DIN/EN 61591 \varnothing 15 cm: max. Normal 404 m³/h Intensive 739 m³/h
- Ducted extraction rate according to DIN/EN 61591 max. 404 m³/h
- Maximum extraction 404 m³/h
- Diameter pipe \varnothing 150 mm (\varnothing 120 mm enclosed)
- Yes
- Max. extraction rate: 739 m³/h
- Extraction rate in recirculation mode: Max. normal use: 315 m³/h Intensive: 563 m³/h
- Power rating: 143 W
- Dimensions exhaust air (HxWxD): 969-1239 x 890 x 263 mm
- Dimensions recirculating, chimney (HxWxD): 1029-1299 x 890 x 263 mm
- Dimensions recirculating with CleanAir module (HxWxD): 1159 x 890 x 263 mm - mounting with outer chimney 1229-1499 x 890 x 263 mm - mounting with telescopic chimney

Series 6, Wall-mounted Extractor
Hood, 90 cm, clear glass black
printed
DWF97KM60

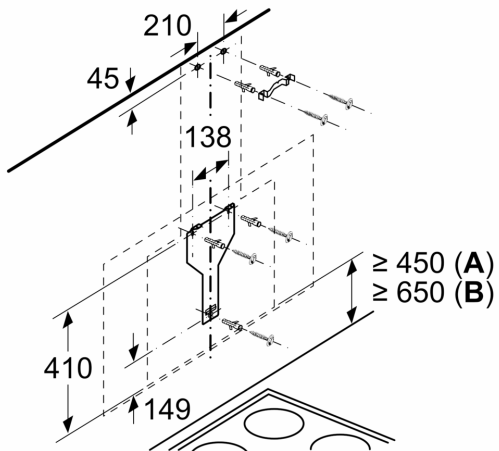


Appliance in circulated air mode
 without duct
 Circulated air set required

measurements in mm



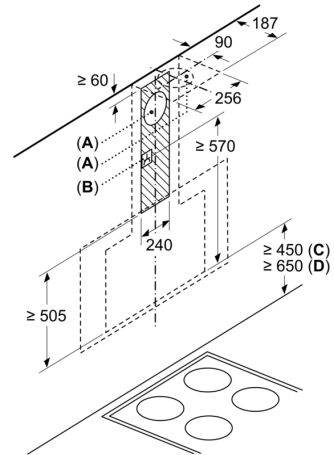
Measurements in mm



From upper edge of pan support

A: Electric
B: Gas

Measurements in mm



A: Exhaust air
B: Socket

From upper edge of pan support

C: Electric
D: Gas