

**Series 2, Canopy Extractor, 53 cm,
Stainless steel
DLN53AA50**



-
- DWZ0IN0A0 Standard odor filter (replacement)
 - DWZ0IN0T0 Standard recirculation kit

The canopy cooker hood: offers you flexibility in your kitchen planning - mount it either on the wall or above a kitchen island.

- **silent:** maximal extractor performance with little noise
- **Metal Grease Filter:** cleans the air, captures grease, easy monthly clean-up.

Typology: Built-in/Built-under
 Length electrical supply cord: 150.0 cm
 Min. required niche size for installation (HxWxD): 208mm x 493.0mm x 257mm mm
 Minimum distance above an electric hob: 550 mm
 Minimum distance above a gas hob: 650 mm
 Net weight: 4.5 kg
 Type of control: mechanical
 Number of speed settings: 3
 Max. air extraction: 302 m³/h
 Max. air recirculation: 300 m³/h
 Maximum Air flow: 302 m³/h
 Number of lights: 2
 Noise level: 62 dB(A) re 1 pW
 Diameter of air outlet: 120 mm
 Grease filter material: Washable aluminium
 EAN code: 4242005124893
 Connection rating: 121 W
 Fuse protection: KSA A
 Voltage: 220-240 V
 Frequency: 50 Hz
 Plug type: Gardy plug w/ earthing
 Installation typology: Built-in



Series 2, Canopy Extractor, 53 cm, Stainless steel DLN53AA50

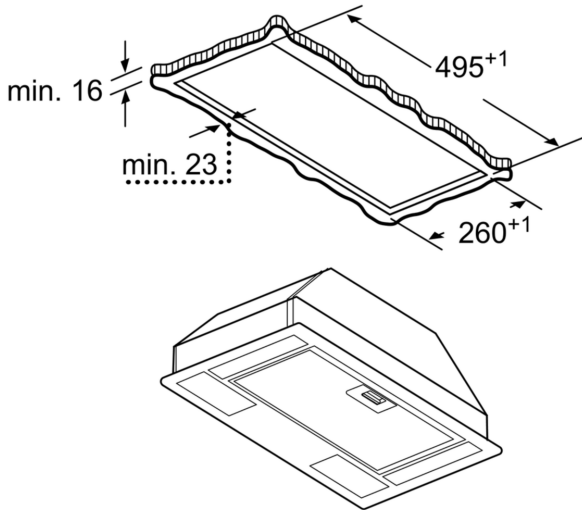
The canopy cooker hood: offers you flexibility in your kitchen planning - mount it either on the wall or above a kitchen island.

-
- Energy Efficiency Class: D*
 - Average Energy Consumption: 67.7 kWh/year*
 - Blower Efficiency Class: E*
 - Lighting Efficiency Class: D*
 - Grease Filtering Efficiency Class: D*
 - Noise max. Normal Level: 62 dB*

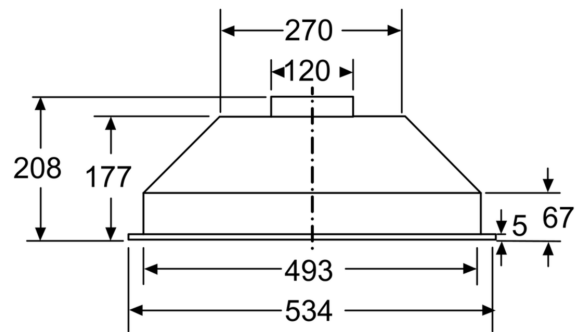
Measures:

- Canopy hood
- Suitable for ducted or recirculating operation
- Recirculating kit
- Sliding switch control for extractor speeds and light
- 3 speed operation
- Single motor
- Removable metal grease filters, dishwasher safe
- 2 x 4 W LED 3W E14
- Light Intensity: 78 lux
- Colour Temperature: 2700 K
- Ducted extraction rate according to DIN/EN 61591: max. 302 m³/h
- Max. extraction rate: 302 m³/h
- Dimensions (HxWxD): 208 x 534 x 300 mm
- built-in dimensions (HxWxD): 208 x 493 x 257 mm
- Power rating: 121 W
- 120 mm diameter pipe

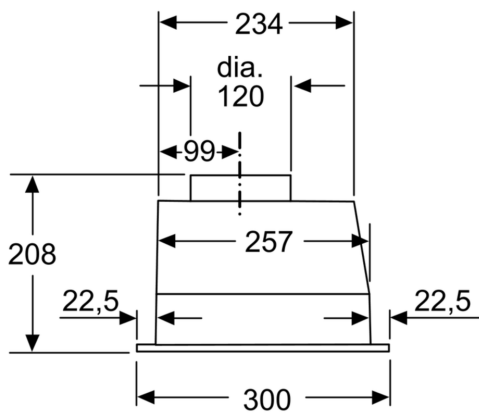
**Series 2, Canopy Extractor, 53 cm,
Stainless steel
DLN53AA50**



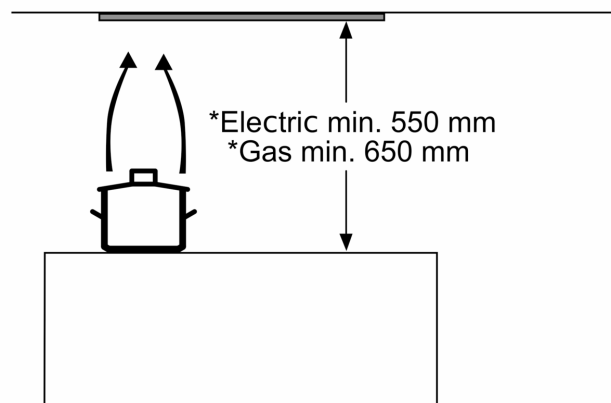
measurements in mm



measurements in mm



measurements in mm



* from upper edge of pan support

measurements in mm