

**Series 2, Built-in Extractor Hood, 60 cm, Stainless steel  
DHU635HZA**



**The built-under cooker hood: save space by mounting the hood beneath your upper cabinet or on the wall.**

- **Metal grease filters:** filter grease and other solid particles out of the extracted air

---

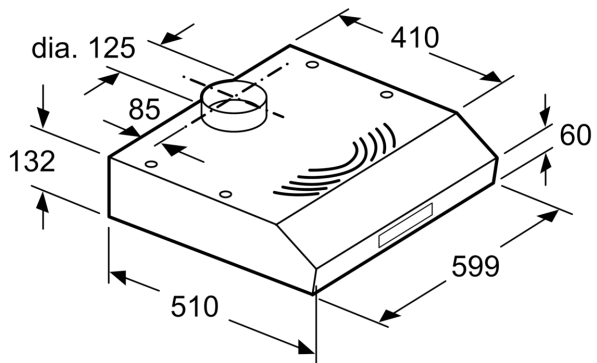
Typology: .....	Built-in/Built-under
Length electrical supply cord: .....	150.0 cm
Minimum distance above an electric hob: .....	650 mm
Minimum distance above a gas hob: .....	650 mm
Net weight: .....	5.9 kg
Type of control: .....	mechanical
Number of speed settings: .....	3
Max. air extraction: .....	330 m <sup>3</sup> /h
Max. air recirculation: .....	100 m <sup>3</sup> /h
Maximum Air flow: .....	330 m <sup>3</sup> /h
Number of lights: .....	2
Noise level: .....	73 dB(A) re 1 pW
Diameter of air outlet: .....	100 mm
Grease filter material: .....	Washable aluminium
EAN code: .....	4242005135387
Connection rating: .....	166 W
Voltage: .....	220-240 V
Frequency: .....	50; 60 Hz
Plug type: .....	Gardy plug w/ earthing
Installation typology: .....	Built-under

---



**Series 2, Built-in Extractor Hood, 60  
cm, Stainless steel  
DHU635HZA**

---



measurements in mm