

**Series 6, Canopy Extractor, 86 cm,
Stainless steel
DHL885C**



| | |
|-----------|--|
| DHZ5316 | Standard odor filter (replacement) |
| DHZ5605 | Standard recirculation kit |
| DWZ0ITOP0 | Long Life odor filter (replacement) |
| DWZ1IT1D1 | Long Life recirculation kit external |
| DWZ1IX1B6 | Clean Air Plus odor filter (replacement) |
| DWZ1IX1C6 | Clean Air Plus recirc. kit external |

The canopy cooker hood: offers you flexibility in your kitchen planning - mount it either on the wall or above a kitchen island.

- **silent:** maximal extractor performance with little noise
- **Intensive speed setting:** removes strong kitchen odours especially quickly and effectively.
- **Metal Grease Filter:** cleans the air, captures grease, easy monthly clean-up.

Typology: Built-in/Built-under
 Length electrical supply cord: 150.0 cm
 Min. required niche size for installation (HxWxD): 418mm x 836.0mm x 264mm mm
 Minimum distance above an electric hob: 500 mm
 Minimum distance above a gas hob:650 mm
 Net weight:9.9 kg
 Type of control:Electronic
 Number of speed settings: 3-stages + intensive setting
 Max. air extraction: 630 m³/h
 Boost position output recirculating: 639 m³/h
 Max. air recirculation: 568 m³/h
 Boost position air extraction: 730 m³/h
 Maximum Air flow:630 m³/h
 Number of lights: 2
 Noise level:65 dB(A) re 1 pW
 Diameter of air outlet: 150 / 120 mm
 Grease filter material:Washable aluminium
 EAN code: 4242002824369
 Connection rating: 277 W
 Fuse protection:3 A
 Voltage: 220-240 V
 Frequency: 50 Hz
 Plug type: Gardy plug w/ earthing
 Installation typology: Built-in



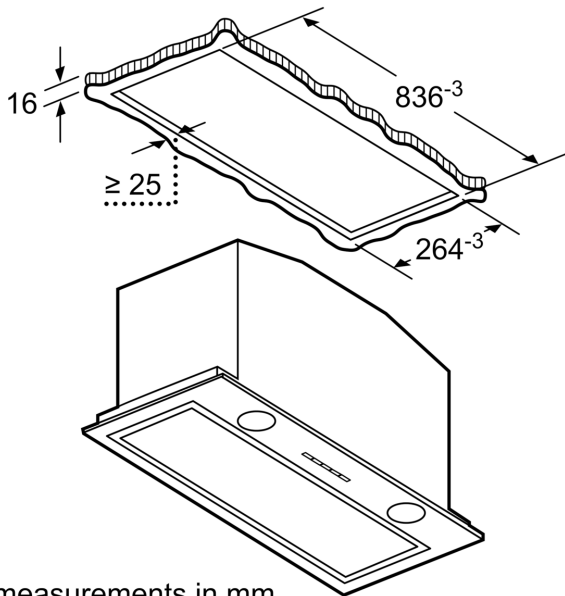
Series 6, Canopy Extractor, 86 cm, Stainless steel DHL885C

The canopy cooker hood: offers you flexibility in your kitchen planning - mount it either on the wall or above a kitchen island.

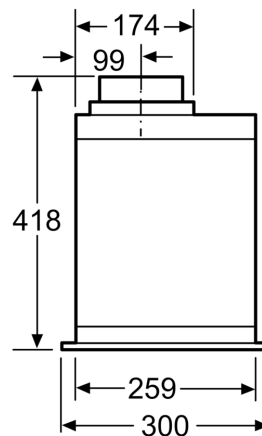
-
- Energy Efficiency Class: C*
 - Average Energy Consumption: 103.1 kWh/year*
 - Noise max. Normal Level: 65 dB*
 - Canopy hood
 - Suitable for ducted or recirculating operation
 - Recirc. kit or clean air kit
 - Electronic controls
 - push button controls with Electronic display
 - 3 speed + intensive operation
 - Intensive op. revert dur.: 6 min.
 - Metal grease filter with side extraction
 - Stainless steel filter covers
 - Removable metal grease filters, dishwasher safe
 - Light Intensity: 266 lux
 - Colour Temperature: 4000 K
 - Twin channel high performance fan motor
 - Extraction rate exhaust air according to EN 61591:
 - max. normal use 630 m³/h, intensive 730 m³/h
 - Dimensions exhaust air (HxWxD): 418 x 860 x 300 mm
 - Dimensions recirculating (HxWxD): 418 x 860 x 300 mm
 - built-in dimensions (HxWxD): 418 x 836 x 264 mm
 - Power rating: 277 W
 - 120 or 150 mm diameter pipe

Technical information:

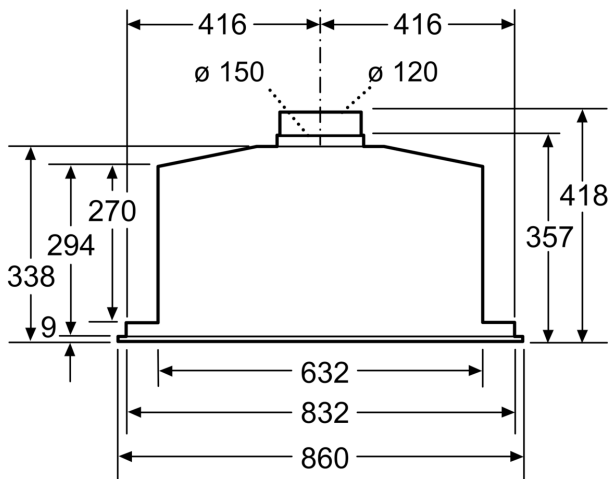
**Series 6, Canopy Extractor, 86 cm,
Stainless steel
DHL885C**



measurements in mm

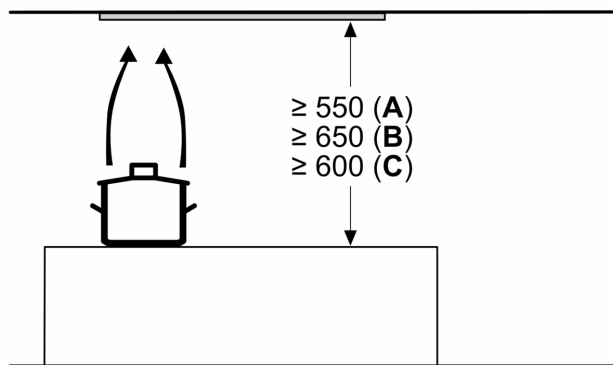


measurements in mm



measurements in mm

Measurements in mm



A: Electric

B: Gas - from upper edge of pan support

C: Electric - for Australia and New Zealand