

**Serie | 2, Canopy Extractor, 53 cm,  
Silver metallic  
DHL535CZ**

**E**



**The canopy cooker hood: offers you flexibility in your kitchen planning - mount it either on the wall or above a kitchen island.**

- **Extraction rate:** at 260 m<sup>3</sup>/h, it quickly ensures optimal kitchen air quality.
- **Intensive speed setting:** removes strong kitchen odours especially quickly and effectively.
- **Halogen lighting:** for optimal, energy-efficient illumination of the hob.
- **Especially quiet:** high performance at just 40 dB.

**Technical data**

Typology :	Traditional
Approval certificates :	CE, VDE
Length electrical supply cord (cm) :	130
Required niche size for installation (HxWxD) :	235mm x 500mm x 260mm
Net weight (kg) :	5.456
Type of control :	mechanical
Number of speed settings :	2-stage_Intensive
Maximum output air extraction (m <sup>3</sup> /h) :	170
Boost position output recirculating (m <sup>3</sup> /h) :	240
Maximum output recirculating air (m <sup>3</sup> /h) :	160
Boost position air extraction (m <sup>3</sup> /h) :	260
Number of lights :	2
Noise level (dB(A) re 1 pW) :	55
Diameter of air outlet (mm) :	120
Grease filter material :	Washable aluminium
Odour filter :	No
Operating Mode :	Convertible
Optional accessories :	DHZ7304
Type of lamps used :	Halogen
Total power of the lamps (W) :	60
Grease filter type :	Multilayer
Connection Rating (W) :	230
Current (A) :	10
Voltage (V) :	220-240
Frequency (Hz) :	50
Plug type :	South Africa plug
Installation typology :	Built-in
Material body :	Lacquered
Approval certificates :	CE, VDE
Plug type :	South Africa plug
Dimensions of the product, with chimney (if exists) (in) :	/ x x
Dimensions of the packed product (in) :	11.41 x 22.83 x 12.99
Net weight (lbs) :	12
Gross weight (lbs) :	14
Motor location :	Integrated motor in hood body
No-return airflow flap :	No
Length electrical supply cord (cm) :	130
Dimensions of the product, with chimney (if exists) (mm) :	235 x 530 x 280
Dimensions of the packed product (HxWxD) (mm) :	290 x 580 x 330
Net weight (kg) :	5.456
Gross weight (kg) :	6.2

**Optional accessories**

DHZ7304 : Accessories extractor hoods



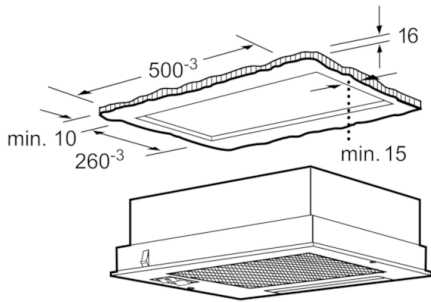
4 242002 846057

**Serie | 2, Canopy Extractor, 53 cm, Silver  
metallic  
DHL535CZ**

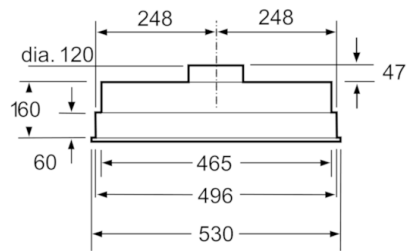
**The canopy cooker hood: offers you  
flexibility in your kitchen planning - mount it  
either on the wall or above a kitchen island.**

- 
- Suitable for ducted or recirculating operation
  - For installation in a modified cupboard, above a hob
  - Switch control for extractor speeds and light
  - 2 speed plus intensive operation
  - Removable metal grease filters, dishwasher safe
  - 2 x high volt halog. light E14 30W
  - Light Intensity: 196 lux
  - Colour Temperature: 2700 K
  - Extraction rate exhaust air according to EN 61591:  
max. normal use 170 m<sup>3</sup>/h, intensive 260 m<sup>3</sup>/h
  - Noise level according to EN 60704-3 und EN 60704-2-13  
exhaust air:  
Max. normal use: 55 dB(A) re 1 pW (41 dB(A) re 20 µPa sound  
pressure)  
Intensive: 65 dB(A) re 1 pW (51 dB(A) re 20 µPa sound  
pressure)
  - Power rating: 230 W
  - 120 mm diameter pipe

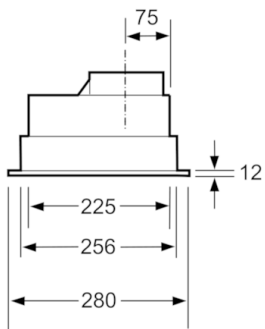
**Serie | 2, Canopy Extractor, 53 cm, Silver metallic  
DHL535CZ**



measurements in mm



measurements in mm



measurements in mm