

**Series 4, Telescopic Extractor Hood,
90 cm, Silver metallic
DFR097A52**



DSZ4920 Installation kit for 90cm wide wall unit, DSZ4961 Lowering frame, DSZ4982 Handle strip white, DSZ4985 Handle strip, DSZ4986 Handle strip black, DWZ0IT0P0 Long Life odor filter (replacement), DWZ1IX1B6 Clean Air Plus odor filter (replacement), DWZ1IX1C6 Clean Air Plus recirc. kit external, DWZ2IT1B4 Clean Air Standard odor filter (repl.), DWZ2IT1I4 Clean Air Standard recirculation kit, HEZG9AS00S Adapter, DSZ4561 Standard odor filter (replacement), DSZ4565 Standard recirculation kit, DWZ1IT1D1 Long Life recirculation kit external

Telescopic cooker hoods extend when in use and slide neatly away when not in operation.

- **EcoSilence Drive:** our highly efficient motor saves on energy, not on performance.
- **Metal Grease Filter:** cleans the air, captures grease, easy monthly clean-up.

Typology:	Pull-out
Length electrical supply cord:	175.0 cm
Min. required niche size for installation (HxWxD):	385mm x 524.0mm x 290mm mm
Minimum distance above an electric hob:	430 mm
Minimum distance above a gas hob:	650 mm
Net weight:	12.4 kg
Type of control:	Electronic
Number of speed settings:	3-stages + intensive setting
Max. air extraction:	397 m ³ /h
Boost position output recirculating:	628 m ³ /h
Max. air recirculation:	358 m ³ /h
Boost position air extraction:	729 m ³ /h
Maximum Air flow:	397 m ³ /h
Number of lights:	3
Noise level:	53 dB(A) re 1 pW
Diameter of air outlet:	120 / 150 mm
Grease filter material:	Washable stainless steel
EAN code:	4242005232031
Connection rating:	146 W
Fuse protection:	10 A
Voltage:	220-240 V
Frequency:	50; 60 Hz
Plug type:	Gardy plug w/ earthing
Installation typology:	Built-in
Delay Shut off modes:	10 min



Series 4, Telescopic Extractor Hood, 90 cm, Silver metallic DFR097A52

Telescopic cooker hoods extend when in use and slide neatly away when not in operation.

Design

- 90 cm wide
- Silver Metallic
- Built under cupboard 90 cm
- Suitable for ducted or recirculating operation
- Recirc. kit or clean air kit

Comfort

- push button controls with Electronic display
- Electronic controls via push button controls with Electronic display
- Electronic controls
- push button controls (3 speed + intensive operation) with Electronic display
- push button controls for extractor speeds and light
- 3 speed + intensive operation
- Intensive op. revert dur.: 6 min.
- 10 min.

Features

- 3 x 1,5W LED
- Colour Temperature: 3500 K
- Light Intensity: 355 lux
- Cass.w.stainl. st. perf. plate
- Removable metal grease filters, dishwasher safe

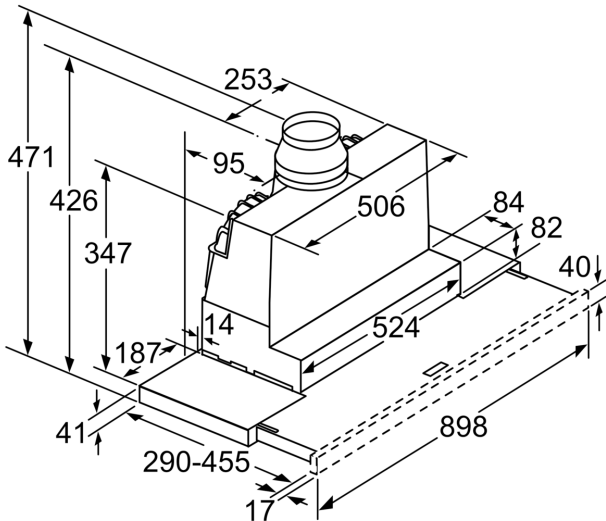
Performance

- Ducted extraction rate according to DIN/EN 61591max. 397 m³/h
- Noise max. Normal Level: 53 dB*
- With the Clean Air Plus recirculation kit (available as optional accessory) your appliances reaches:
- Extraction rate in recirculation mode: Max. normal use:358m³/h
- Intensive:628m³/h
- Noise level in recirculation mode: Max. normal use:60dB(A) re 1 pW
- Intensive:71 dB(A) re 1 pW
- 2 single inlet vertical, BLDC for Ventilation
- BLDC for Ventilation

Planning and installation information

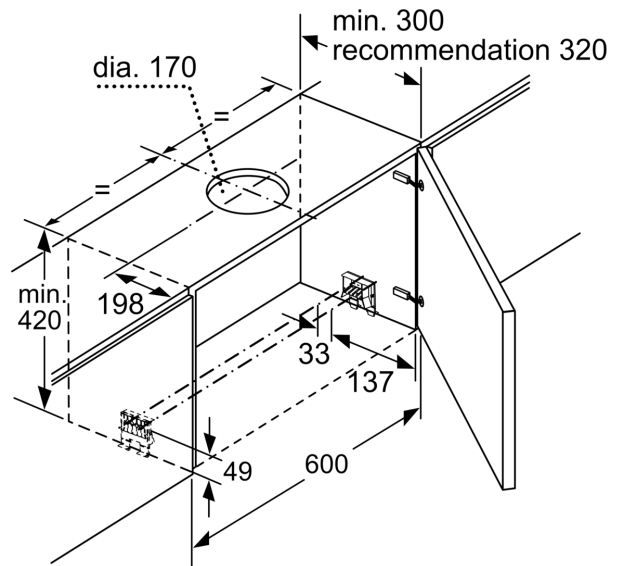
- Dimensions (HxWxD): 426 x 898 x 290 mm
- built-in dimensions (HxWxD): 385 x 524 x 290 mm
- Diameter pipe Ø 150 mm (Ø 120 mm enclosed)
- Yes
- Electrical cable length 1.75 m
- without handle strip

**Series 4, Telescopic Extractor Hood,
90 cm, Silver metallic
DFR097A52**

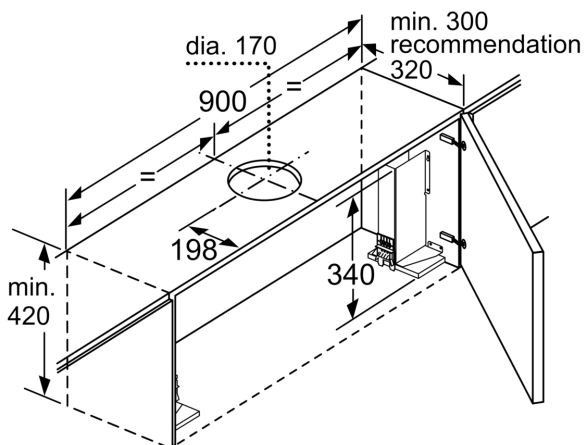


Depth of the filter drawer can be adjusted by up to 29 mm

measurements in mm

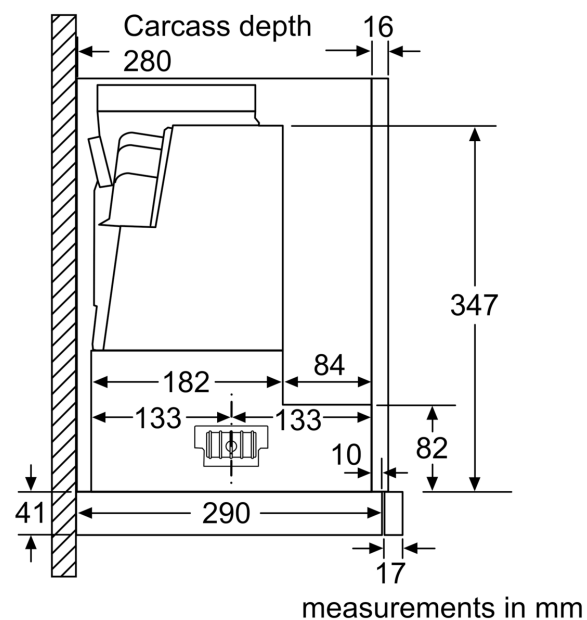


measurements in mm



When installing the 90 cm telescopic hood in a 90 cm wide wall-hanging cupboard, a mounting kit is required. The two mounting brackets are screwed onto the left and right of the kitchen unit. Installation in accordance with template.

measurements in mm



measurements in mm

