

**Serie | 4, Telescopic Extractor Hood,
90 cm, Silver metallic
DFR097A50**



The telescopic cooker hood: practically disappears into your upper cabinet, giving you a sleek kitchen front.

- **extra silent:** maximal extractor performance with very minimal noise.
- **Grease filtration level:** filters out over 85% of the grease from kitchen air
- **EcoSilence Drive:** our highly efficient motor saves on energy, not on performance.
- **LED-Illumination:** The energy-saving lighting provides bright and clear lighting for the hob area.
- **Intensive speed setting:** removes strong kitchen odours especially quickly and effectively.

Technical data

Typology : Pull-out
 Approval certificates : CE, VDE
 Length electrical supply cord : 175 cm
 Required niche size for installation (HxWxD) : 385mm x 524.0mm x 290mm mm
 Net weight : 13.3 kg
 Type of control : Electronic
 Maximum output air extraction : 408 m³/h
 Boost position output recirculating : 496 m³/h
 Maximum output recirculating air : 358 m³/h
 Boost position air extraction : 758 m³/h
 Number of lights : 2
 Noise level : 54 dB(A) re 1 pW
 Diameter of air outlet : 150 / 120 mm
 Grease filter material : Washable aluminium
 Odour filter : No
 Operating Mode : Convertible
 Delay Shut off modes : 10 min
 Optional accessories : DWZ1IT1D1, DWZ1IX1B6, DWZ1IX1C6, DSZ4561, DSZ4565, DSZ4680, DSZ4681, DSZ4683, DSZ4920, DSZ4952, DSZ4955, DSZ4956, DSZ4960, DWZ0IT0PO
 Type of lamps used : LED
 Total power of the lamps : 6 W
 Grease filter type : Kasette
 Connection Rating : 146 W
 Fuse protection : 10 A
 Voltage : 220-240 V
 Frequency : 50; 60 Hz
 Plug type : Gardy plug w/ earthing
 Installation typology : Built-in
 Material body : zinc plated
 Approval certificates : CE, VDE
 Plug type : Gardy plug w/ earthing
 Dimensions of the product, with chimney (if exists) (in) : / x x
 Dimensions of the packed product : 15.55 x 37.00 x 18.70
 Net weight : 29.000 lbs
 Gross weight : 33.000 lbs
 Motor location : Integrated motor in hood body
 No-return airflow flap : No
 Length electrical supply cord : 175 cm
 Dimensions of the product, with chimney (if exists) : 426 x 898.0 x 290.0 mm
 Dimensions of the packed product (HxWxD) : 395 x 940 x 475 mm
 Net weight : 13.3 kg
 Gross weight : 14.8 kg

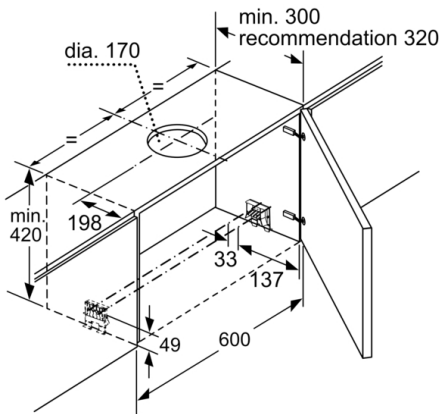


**Serie | 4, Telescopic Extractor Hood, 90 cm,
Silver metallic
DFR097A50**

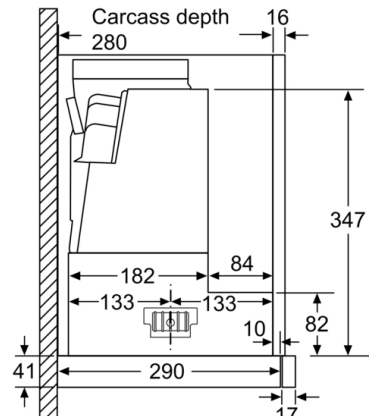
**The telescopic cooker hood: practically
disappears into your upper cabinet, giving
you a sleek kitchen front.**

- Energy Efficiency Class: A*
- Average Energy Consumption: 38.5 kWh/year*
- Noise max. Normal Level: 54 dB*
- Built under cupboard 90 cm
- Suitable for ducted or recirculating operation
- 3 speed + intensive operation
- Extraction rate according to DIN/EN 61591 \varnothing 15 cm: max.
Normal 407 m³/h Intensive 758 m³/h
- BLDC for Ventilation
- Extraction rate exhaust air according to EN 61591:
max. normal use 407 m³/h, intensive 758 m³/h
- Noise level according to EN 60704-3 and EN 60704-2-13
exhaust air:
Max. normal use: 54 dB(A) re 1 pW (41 dB(A) re 20 μ Pa sound
pressure)
Intensive: 69 dB(A) re 1 pW (56 dB(A) re 20 μ Pa sound
pressure)
- Removable metal grease filters, dishwasher safe
- Power rating: 146 W
- Dimensions (HxWxD): 426 x 898 x 290 mm
- built-in dimensions (HxWxD): 385 x 524 x 290 mm

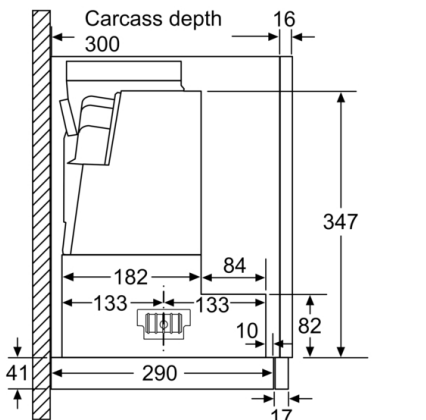
**Serie | 4, Telescopic Extractor Hood, 90 cm,
Silver metallic
DFR097A50**



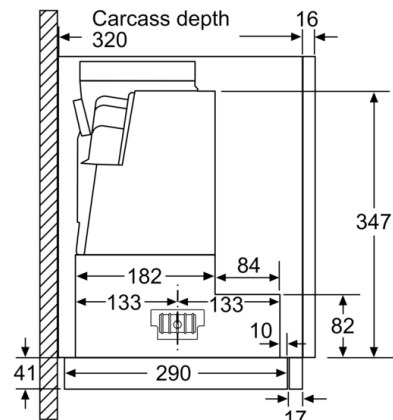
measurements in mm



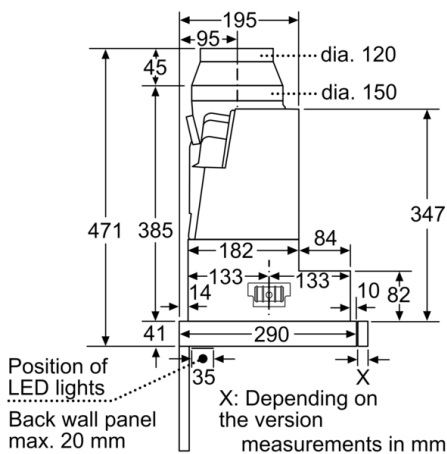
measurements in mm



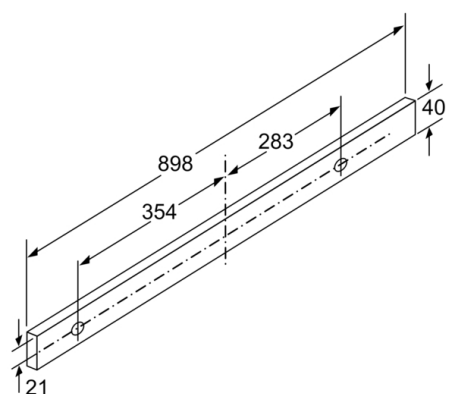
measurements in mm



measurements in mm

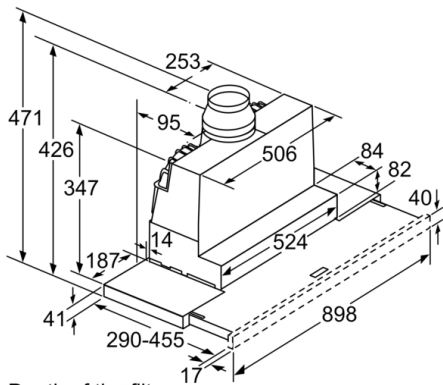


measurements in mm

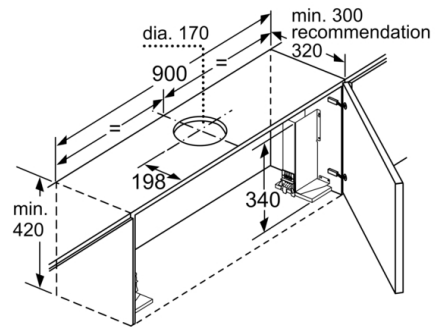


measurements in mm

**Serie | 4, Telescopic Extractor Hood, 90 cm,
Silver metallic
DFR097A50**



Depth of the filter drawer can be adjusted by up to 29 mm
measurements in mm



When installing the 90 cm telescopic hood in a 90 cm wide wall-hanging cupboard, a mounting kit is required. The two mounting brackets are screwed onto the left and right of the kitchen unit. Installation in accordance with template.
measurements in mm