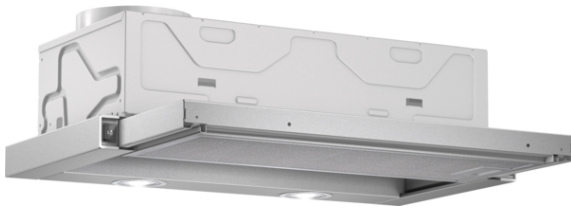


**Serie | 2, Telescopic Extractor Hood,
60 cm, Silver metallic
DFL064W50**



The telescopic cooker hood: practically disappears into your upper cabinet, giving you a sleek kitchen front.

- **Grease filtration level:** filters out over 85% of the grease from kitchen air
- **Extraction rate:** at MAX_FOERDERLEISTUNG m³/h, it quickly ensures optimal kitchen air quality.
- **Metal grease filters:** filter grease and other solid particles out of the extracted air
- Pi shaped double metal filter

Technical data

Typology : Pull-out
Approval certificates : CE, VDE
Length electrical supply cord : 175 cm
Required niche size for installation (HxWxD) : 162mm x 526.0mm x 290mm mm
Net weight : 8.2 kg
Type of control : mechanical
Number of speed settings : 3
Maximum output air extraction : 387 m³/h
Maximum output recirculating air : 195 m³/h
Number of lights : 2
Noise level : 67 dB(A) re 1 pW
Diameter of air outlet : 150 / 120 mm
Grease filter material : Washable aluminium
Odour filter : No
Operating Mode : Convertible
Optional accessories : DSZ4545, DSZ4551, DSZ4652, DSZ4655, DSZ4656
Type of lamps used : Halogen
Total power of the lamps : 40 W
Grease filter type : Kasette
Connection Rating : 145 W
Fuse protection : 10 A
Voltage : 220-240 V
Frequency : 50 Hz
Plug type : Gardy plug w/ earthing
Installation typology : Built-in
Material body : zinc plated
Approval certificates : CE, VDE
Plug type : Gardy plug w/ earthing
Dimensions of the product, with chimney (if exists) (in) : / x x
Dimensions of the packed product : 12.20 x 25.19 x 14.17
Net weight : 18.000 lbs
Gross weight : 21.000 lbs
Motor location : Integrated motor in hood body
No-return airflow flap : No
Length electrical supply cord : 175 cm
Dimensions of the product, with chimney (if exists) : 203 x 598.0 x 290.0 mm
Dimensions of the packed product (HxWxD) : 310 x 640 x 360 mm
Net weight : 8.2 kg
Gross weight : 9.7 kg

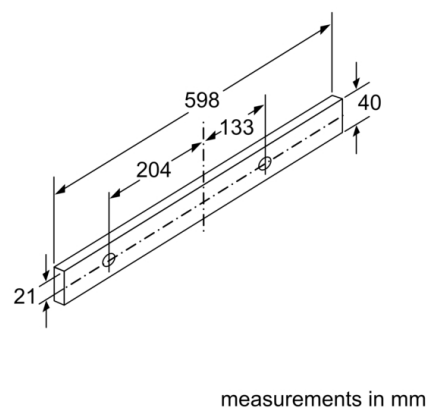
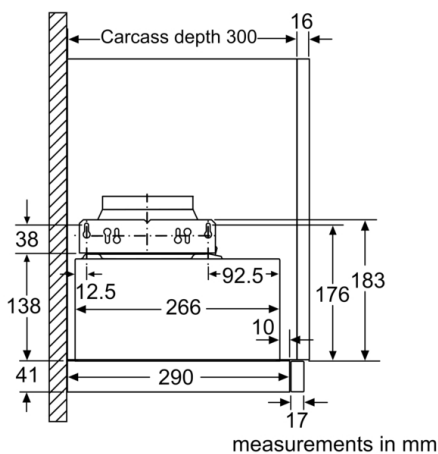
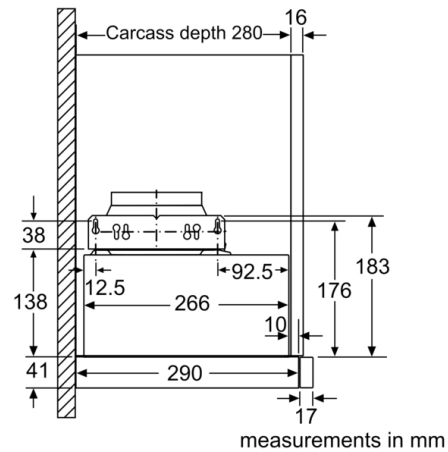
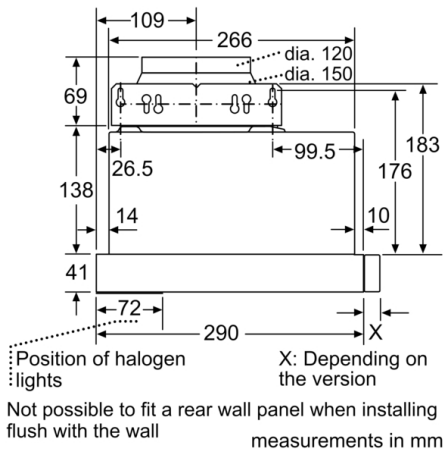
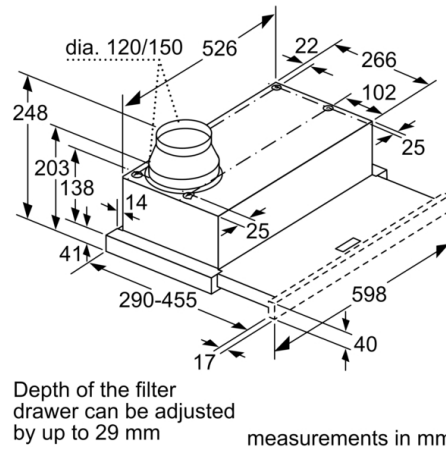
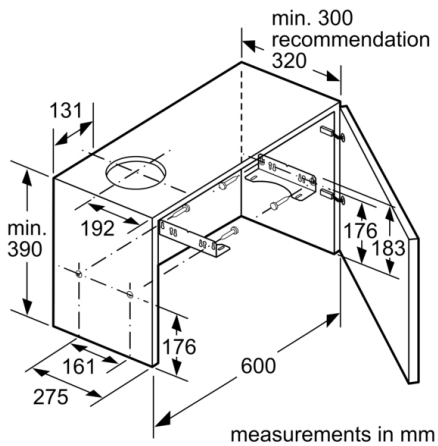


**Serie | 2, Telescopic Extractor Hood, 60 cm,
Silver metallic
DFL064W50**

**The telescopic cooker hood: practically
disappears into your upper cabinet, giving
you a sleek kitchen front.**

- Energy Efficiency Class: C*
- Average Energy Consumption: 68.3 kWh/year*
- 60 cm wide
- Cupboard 60 cm
- Suitable for ducted or recirculating operation
- Switch control for extractor speeds and light
- Automatic On/Off operation when telescopic canopy is pulled out and pushed back
- 3 speed operation
- Maximum extraction 387 m³/h
- Noise level according to EN 60704-3 und EN 60704-2-13 at max. normal use exhaust air: 67 dB(A) re 1 pW (54 dB(A) re 20 µPa sound pressure)
- 2 x high volt halogen spot G9 20W
- Removable metal grease filters, dishwasher safe
- Power rating: 145 W
- Dimensions (HxWxD): 203 x 598 x 290 mm
- built-in dimensions (HxWxD): 162 x 526 x 290 mm

**Serie | 2, Telescopic Extractor Hood, 60 cm,
Silver metallic
DFL064W50**



**Serie | 2, Telescopic Extractor Hood, 60 cm,
Silver metallic
DFL064W50**

