

Series 8, Built-in Fully Automatic Coffee Machine, Black CTL7181B0



- **Home Connect:** Home appliances with smart connectivity to make everyday life easier.
- **CoffeeWorld:** Discover the delicious taste of international coffee specialties.
- **AromaSelect:** The perfect aroma profile for every individual taste.
- **Favorites:** Save up to 30 individual coffee preferences.
- **TFT-touchdisplay Pro:** Smooth slide and touch display for comfortable operation.

Built-in / Free-standing: Built-in
 Frothing nozzle: No
 Display: No
 Water protection system: No
 Portion sizes: All cups
 Dimensions: 455 x 594 x 385 mm
 Dimensions of the packed product (HxWxD): 540 x 550 x 670 mm
 Min. required niche size for installation (HxWxD): 449 x 558 x 376 mm
 EAN code: 4242005310340
 Fuse protection: 10 A
 Voltage: 220-240 V
 Frequency: 50/60 Hz
 Plug type: Gardy plug w/ earthing

- TCZ7003 Accessories small appliances
- TCZ7033 Water filter
- TCZ8001A Cleaning tablets
- TCZ8002A Descaling tablets
- TCZ8004A Care set espresso
- Y988081300 :
- Y988081302 :
- Y988081303 :
- Y988081012 :



Series 8, Built-in Fully Automatic Coffee Machine, Black CTL7181B0

Flavour

- warm milk, milk froth and hot water function
- aromaSelect – 3 different aroma profiles (mild-balanced-distinctive)
- adjustable milk ratio for classic milk-mix beverages
- intelligent strength adjustment – adaptive coffee management based on strength and size
- aromaDouble Shot – less bitterness in large beverages due to two brewing processes

Convenience

- TFT-Touchdisplay Pro - 6.8" TFT- color display with touch and slide functionality
- Favorites: save up to 30 personalised beverages
- height adjustable beverage outlet (up to 15 cm (max) high glasses)
- oneTouch DoubleCup – get two cups at the touch of a button
- 2.4 l removable water tank

Performance

- ceramDrive – high-quality grinder made of wear-resistant ceramic
- water pump with 19 bar pressure

Hygiene

- autoMilk Clean – automatic steam cleaning after every drink
- calc'nClean – combined descaling and cleaning program for less effort
- removable brewing unit – for easy and hygienic cleaning
- dishwasher-proof: beverage outlet, drip tray and drip pans
- automatic reminder for cleaning, descaling or water filter change

Home Connect

- remote control – operate your appliance from everywhere
- additional coffee know-how
- software update – always the newest software status
- online support
- Security: Security is of top priority at Home Connect. The Home Connect app has been tested and certified by TÜV IT. And the encrypted data transfer via Home Connect protocol protects against unauthorised access.

Miscellaneous

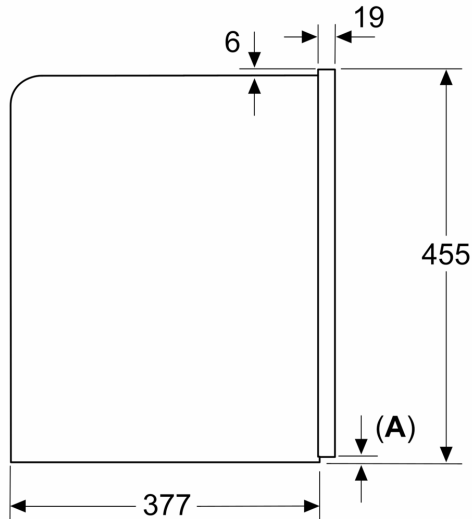
- integrated 0,7 l milk container
- 500 g bean container with aroma protection lid
- illuminated coffee outlet and stage
- adjustable grinding degree (multi-level)
- child lock

Accessories

- included accessories: test strip
- up to 32 beverages (incl. milk, milk foam and hot water) within appliance and Home Connect app
- CoffeePlaylist – select several drinks in the app, prepared in your chosen order
- Separately available accessories: cleaning tablets (TCZ8001A), descaling tablets (TCZ8002A), BRITA Intenza water filter (TCZ7003), care set for fully-automatic espresso makers (TCZ8004A)

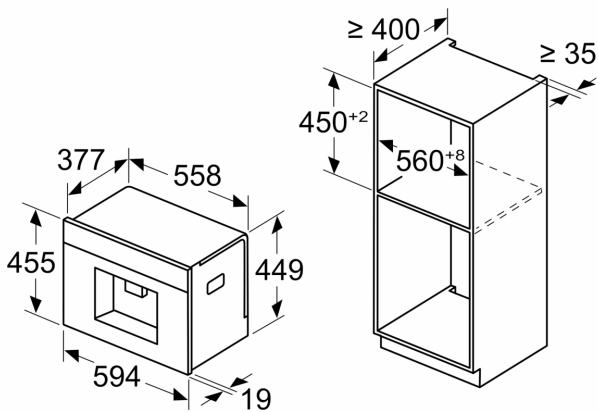
**Series 8, Built-in Fully Automatic
Coffee Machine, Black
CTL7181B0**

Measurements in mm



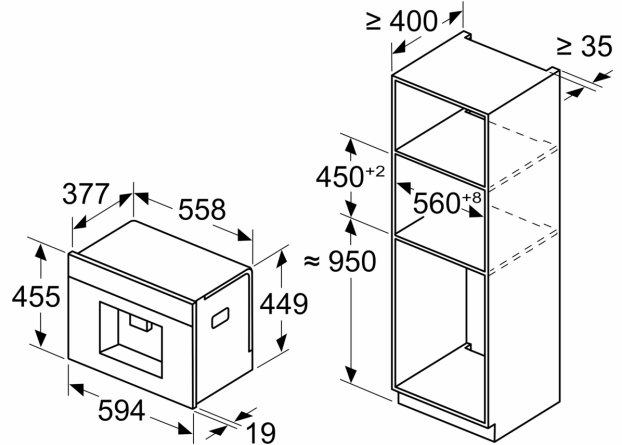
A: 7.5 mm

Measurements in mm



Bean and water containers are removed from the front
Recommended installation height
950–1450 mm

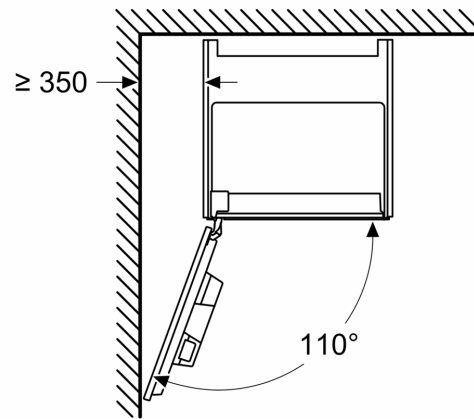
Measurements in mm



Bean and water containers are removed from the front
Recommended installation height
950–1450 mm

Measurements in mm

Left corner installation



If using the 92° hinge limiter, the min. distance to the wall is only 100 mm

Measurements in mm

