

iQ700, Built-in compact oven with steam function, 60 x 45 cm, Black CS856GPB7



A+



1 x grid, 1 x universal pan, punched, size XL, 1 x steam container, unpunched, size S, 1 x sponge

HZ66D910 Vacuum bags 180 x 280mm, 100 pcs., HZ66D920 Vacuum bags 240 x 350 mm, 100 pcs., HZ66X600 Decor list, HZ66X650 Cover Strip, HZ6BMA00 Assembly kit for vertical installation, HZ915003 Glass roasting dish, 5,4 L, HZG0AS00 Connecting cable 3m, HZ36D613 Steam container, unpunched, size S, HZ36D613G Steam container, punched, size S, HZ531010 Baking tray, non-stick ceramic coated, HZ532010 Universal pan, non-stick ceramic coated, HZ617000 Pizza pan, enamelled, HZ625071 Grill tray, enamelled, HZ631070 Baking tray, enamelled, HZ632070 Multipurpose pan, enamelled, HZ636000 Glass pan, HZ664000 Baking and roasting grid (steam)

Shorten your cooking time thanks to fast preheat and coolStart. And remote your oven from anywhere with Home Connect.

- ✓ Home Connect: access to your oven via smartphone or tablet.
- ✓ fastPreheat: reach the required baking temperature sooner; coolStart: no need to preheat the oven for deep frozen food.
- ✓ fullSteam with Sous-vide – For healthy and great-tasting meals.
- ✓ cookControl Plus: guaranteed success for numerous dishes.
- ✓ roastingSensor Plus – Three-point thermometer for excellent roasts every time.

Design: Built-in
 Door opening: Drop down
 Min. required niche size for installation (HxWxD): 450-455 x 560-568 x 550 mm

Dimensions: 455 x 594 x 548 mm
 Dimensions of the packed product (HxWxD): ... 540 x 650 x 690 mm
 Control Panel Material: Glass
 Door Material: Glass
 Net weight: 35.4 kg
 Length electrical supply cord: 150.0 cm
 EAN code: 4242003839430
 Fuse protection: 16 A
 Voltage: 220-240 V
 Frequency: 50; 60 Hz
 Plug type: GARDY plug w/ earthing
 Number of cavities (2010/30/EC): 1
 Usable volume (of cavity) - NEW (2010/30/EC): 47 l
 Energy efficiency: A+: efficient
 Energy consumption per cycle conventional (2010/30/EC): 0.73 kWh/cycle
 Energy consumption per cycle forced air convection (2010/30/EC): 0.61 kWh/cycle
 Energy efficiency index (2010/30/EC): 81.3 %
 Included accessories: 1 x grid, 1 x universal pan, 1 x steam container, punched, size S, 1 x steam container, unpunched, size XL, 1 x steam container, unpunched, size S, 1 x sponge



iQ700, Built-in compact oven with steam function, 60 x 45 cm, Black CS856GPB7

- Compact steam oven with 13 heating methods:
- 4D hot air, Hot Air-Eco, Conventional cooking, Conventional heat ECO, hot air grilling, Full width grill, Half width grill, Intensive hot air, Deep-frozen food special, Bottom heat, low temperature cooking, Plate warming setting, Hold warm setting
- Temperature range 30 °C - 250 °C
- Cavity volume: 47 l

Design:

- black Steel Design
- Cavity inner surface: enamel anthracite

Cleaning:

- ecolyse program

Comfort:

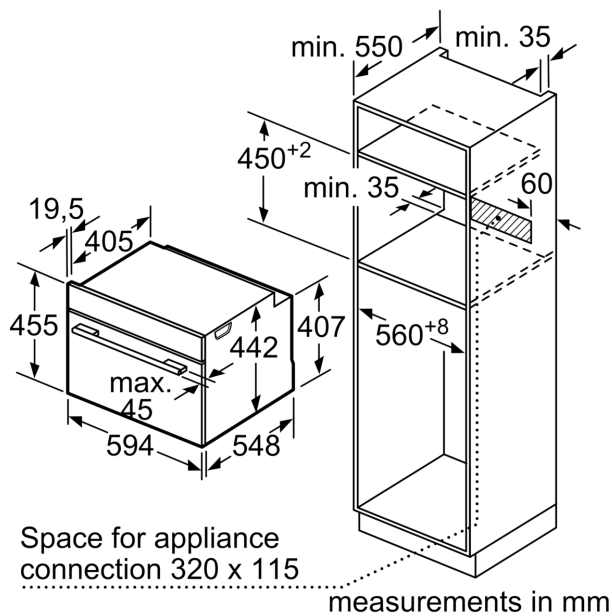
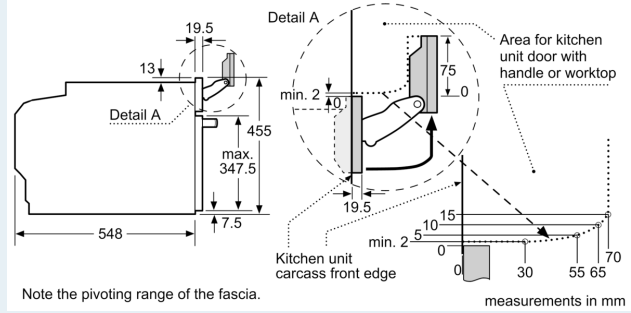
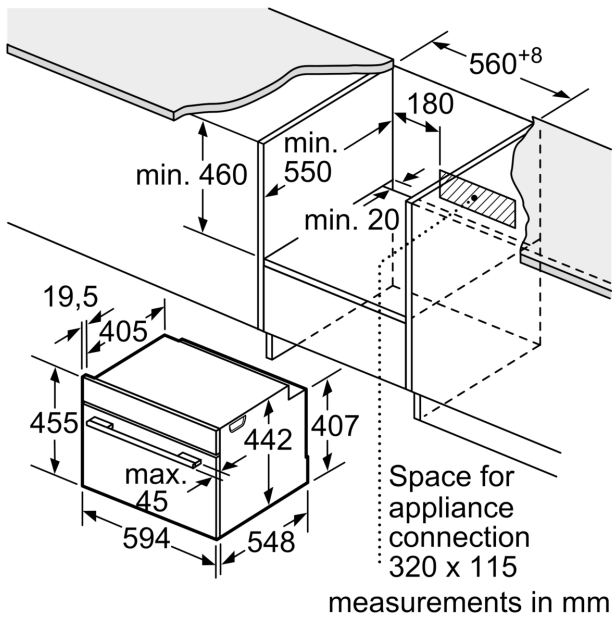
- Additional functions:
- descaling programme
- autom. boiling point detection drying function
- Supporting systems: Dish categories
- multipoint temperature probe
- LED clock and automatic programmer
- Rapid heating-up
- LED light, Independent oven interior light button
- Water tank with 1 l
- Integral cooling fan
- WLAN

Hook-in racks / rails

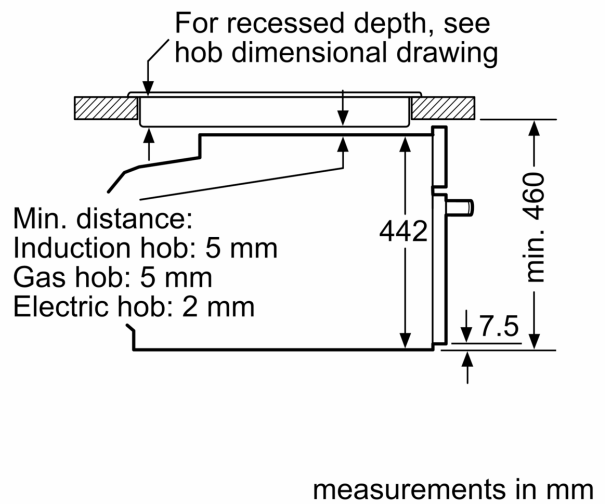
Accessory:

- 1 x steam container, punched, size S, 1 x steam container, punched, size XL, 1 x steam container, unpunched, size S, 1 x grid, 1 x sponge, 1 x universal pan
- Child safety button
- Automatic safety switch off residual heat indicator start button door contact switch
- Length of mains cable: 150 cm
- Appliance dimension (hxwxd): 455 mm x 594 mm x 548 mm
- "Please reference the built-in dimensions provided in the installation drawing"
- We recommend you to choose complementary products within iQ700, in order to assure an optimal design combination of your Built-In appliances.

iQ700, Built-in compact oven with steam function, 60 x 45 cm, Black CS856GPB7



Installation with a hob.



If the compact appliance will be installed underneath a hob, the following worktop thicknesses (including substructure if necessary) must be taken into account.

| Hob type | min. worktop thickness | |
|----------------------------|------------------------|-------|
| | fitted | flush |
| Induction hob | 42 mm | 43 mm |
| Full surface Induction hob | 52 mm | 53 mm |
| Gas hob | 32 mm | 43 mm |
| Electric hob | 32 mm | 35 mm |