

## iQ700, Built-in compact oven with steam function, CS658GRS1



The compact oven with fullSteam function and sensors for optimum results.

- ✓ pulseSteam: for crispy crusts and juicy roasts.
- ✓ TFT Touchdisplay Plus: optimum readability and intuitive operation.
- ✓ roastingSensor and bakingSensor: detect the exact moment when your food is done.
- ✓ ecoClean Plus: effortless cleaning thanks to a special coating.
- ✓ Energy efficiency class A+: For more efficient roasting and baking.

### Features

#### Technical data

Built-in / Free-standing : Built-in  
 Door opening : Drop down  
 Required niche size for installation (HxWxD) : 450-455 x 560-568 x 550  
 Dimensions of the product (mm) : 455 x 594 x 548  
 Dimensions of the packed product (HxWxD) (mm) : 520 x 650 x 710  
 Control Panel Material : Stainless steel  
 Door Material : Glass  
 Net weight (kg) : 35.983  
 Approval certificates : CE, VDE  
 Length electrical supply cord (cm) : 150  
 Cooking method : , 4D hot air, Bottom heat, Conventional heat, Deep-frozen food special, Defrost, Dehydrate, fermentation, Full width grill, Half width grill, Hot Air-Eco, Hot air grilling, Intensive heat, low temperature cooking, Pizza setting, pre-heating, Regeneration, Steam 100%, warming  
 Time-setting Options : Start and Stop  
 Current (A) : 16  
 Voltage (V) : 220-240  
 Frequency (Hz) : 50; 60  
 Plug type : Gardy plug w/ earthing  
 Approval certificates : CE, VDE  
 Energy input : Electric  
 Current (A) : 16  
 Voltage (V) : 220-240  
 Frequency (Hz) : 50; 60  
 Approval certificates : CE, VDE  
 Plug type : Gardy plug w/ earthing  
 Net weight (lbs) : 79.000  
 Gross weight (lbs) : 84

#### Included accessories

1 x steam container, punched, size S, 1 x steam container, punched, size XL, 1 x steam container, unpunched, size S, 1 x grid, 1 x universal pan

#### Optional accessories

HZ327000 Baking stone



## iQ700, Built-in compact oven with steam function, CS658GRS1

### Features

#### Type of oven / heating system:

- Compact steam oven with 15 heating methods:
- 4D hot air, Hot Air-Eco, Conventional cooking, Conventional heat ECO, hot air grilling, Full width grill, Half width grill, Intensive hot air, Deep-frozen food special, Bottom heat, Intensive heat, low temperature cooking, Plate warming setting, Dehydrate, Hold warm setting
- Additional heating methods with steam: Steam 100%, Regeneration, fermentation, Defrost
- Temperature range 30 °C - 250 °C
- Cavity volume: 47 l

#### Design:

- Rotary knob
- Cavity inner surface: Enamel anthracite

#### Cleaning:

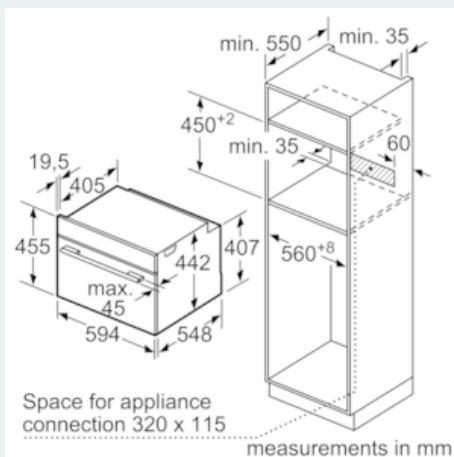
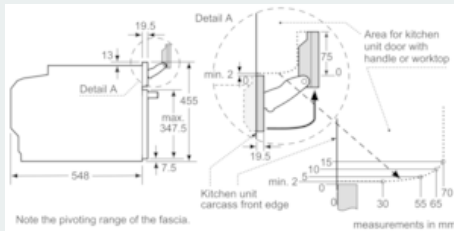
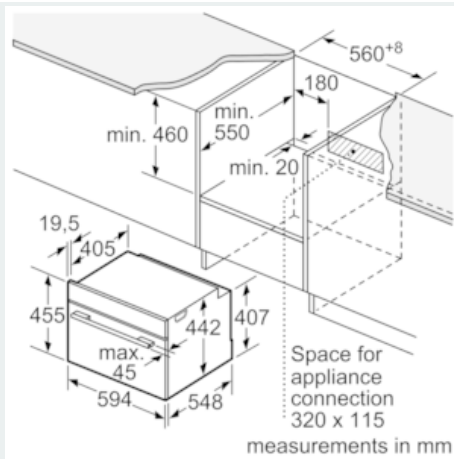
- Ecolyse features: back panel, side liners, ceiling
- ecolyse program
- Full glass inner door

#### Comfort:

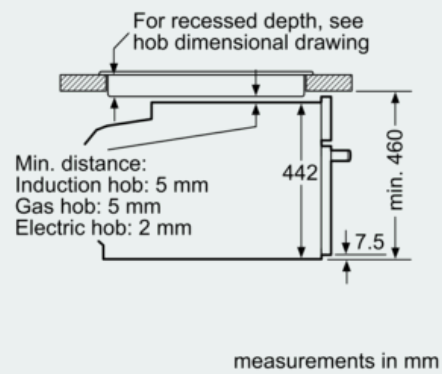
- Temperature proposal
- Actual temperature display
- Heating-up control
- Sabbath setting
- Additional functions:
- Descaling programme
- autom. boiling point detection
- Drying function
- Supporting systems: Dish categories
- multipoint temperature probe
- baking sensor
- LED clock and automatic programmer
- Rapid heating-up
- LED light, Independent oven interior light button
- Water tank with 1 l
- Integral cooling fan
- Stainless-steel fan
- Info button
- Bar handle
- Cavity with shelf support rails, 1 level telescopic shelf, full extension, Detend function
- Maximum window temperature 40° C
- Total connected load electric: 3.3 KW
- Appliance dimension (hxxxd): 455 mm x 594 mm x 548 mm
- softMove: gentle opening and closing of the oven door.

## iQ700, Built-in compact oven with steam function, CS658GRS1

### Dimensioned drawings



### Installation with a hob.



If the compact appliance will be installed underneath a hob, the following worktop thicknesses (including substructure if necessary) must be taken into account.

Hob type	min. worktop thickness	
	fitted	flush
Induction hob	42 mm	43 mm
Full surface Induction hob	52 mm	53 mm
Gas hob	32 mm	43 mm
Electric hob	32 mm	35 mm