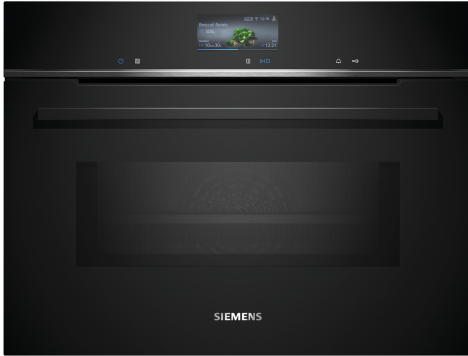


iQ700, Built-in Compact Microwave Oven, 60 x 45 cm, Black CM756G1B1



- ✓ cookControl Pro – Excellent results, whatever the recipe or circumstances.
- ✓ 4D hotAir: flexible choice of shelf.
- ✓ fastPreheat: reach the required baking temperature sooner; coolStart: no need to preheat the oven for deep frozen food.
- ✓ World of recipes – Discover delicious inspiration matching your lifestyle.
- ✓ Far less oven cleaning – ecoClean Plus.

Additional Features: activeClean
 Type of control: Electronic
 Dimensions: 455 x 594 x 548 mm
 Cavity dimensions: 237.0 x 480 x 392.0 mm
 Length electrical supply cord: 150.0 cm
 Net weight: 36.0 kg
 Gross weight: 38.3 kg
 EAN code: 4242003901267
 Maximum Power: 900 W
 Connection rating: 3600 W
 Fuse protection: 16 A
 Voltage: 220-240 V
 Frequency: 50; 60 Hz
 Plug type: Gardy plug w/ earthing
 Included accessories: 1 x combination grid, 1 x universal pan



1 x combination grid, 1 x universal pan

HZ634000 Baking and roasting grid (standard), HZ636000 Glass pan, HZ664000 Baking and roasting grid (steam), HZ66X600 Decor list, HZ66X650 Cover Strip, HZ915003 Glass roasting dish, 5,4 L, HZG0AS00 Connecting cable 3m, HZ532010 Universal pan, non-stick ceramic coated, HZ617000 Pizza pan, enamelled, HZ629070 Air Fry & Grill tray, HZ631070 Baking tray, enamelled, HZ632070 Multipurpose pan, enamelled, HZ327000 Baking stone, HZ530000 2 multipurpose pans, slim size, HZ531010 Baking tray, non-stick ceramic coated

iQ700, Built-in Compact Microwave Oven, 60 x 45 cm, Black CM756G1B1

Type of oven / heating system:

- Compact oven with microwave with 19 heating methods: 4D hot air, Conventional cooking, hot air grilling, Full width grill, Half width grill, Intensive hot air, Deep-frozen food special, Bottom heat, low temperature cooking, Plate warming setting, Hold warm setting, Hotair gentle, Conventional heat gentle, microwave, 4D Hot air, Conventional heat, Full width grill, Half width grill, Hot air grilling
- Max. Power: 900 W; 5 Microwave power settings (90 W, 180 W, 360 W, 600 W, boost) with Inverter (MW)
- Intelligent inverter technology: maximum output power will be regulated to 600 W when used in longer operation
- Temperature range 30 °C - 300 °C
- Cavity volume: 45 l

Hook-in racks / rails

- Number of shelf levels: 3 PC

Design:

- Touch control
- Cavity inner surface: enamel anthracite

Cleaning:

- side: coating of ceiling, back panel, side liners
- hydrolyse program, ecolyse program

Comfort:

- Oven Assistant with Voice Control
- LED clock and automatic programmer
- Temperature proposal
- Actual temperature display Heating-up control
- Drop down door, soft closing, soft opening
- soft opening
- cookControl Pro
- Rapid heating-up
- coolStart
- LED light, Independent oven interior light button
- Integral cooling fan
- WLAN

Accessory:

- 1 x combination grid, 1 x universal pan

Comfort and Safety:

- Maximum window temperature 40° C
- Triple glazed door with heat reflective glass CoolTouch door
- Child safety button
- Automatic safety switch off residual heat indicator start button door contact switch

Technical Info:

- Length of mains cable: 150 cm
- Nominal voltage: 220 - 240 V

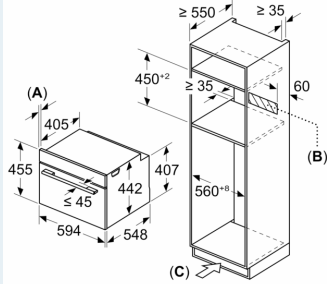
- Total connected load electric: 3.6 KW

Dimensions:

- Appliance dimension (hxwxd): 455 mm x 594 mm x 548 mm
- Niche dimension (hxwxd): 560 mm - 568 mm x 450 mm - 455 mm x 550 mm
- "Please reference the built-in dimensions provided in the installation drawing"

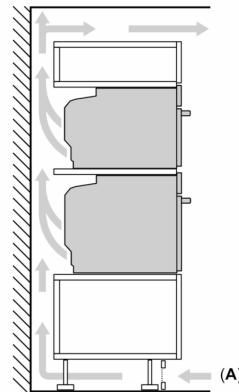
**iQ700, Built-in Compact
Microwave Oven, 60 x 45 cm,
Black
CM756G1B1**

Measurements in mm

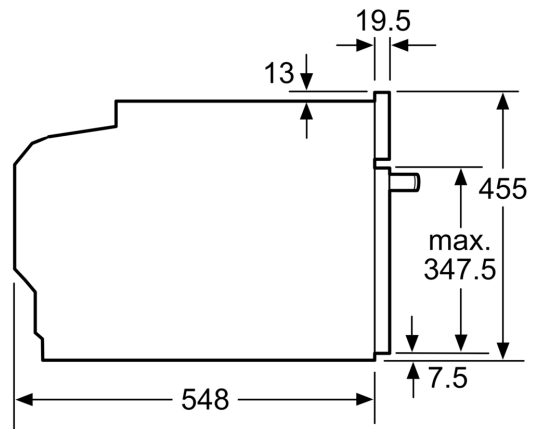
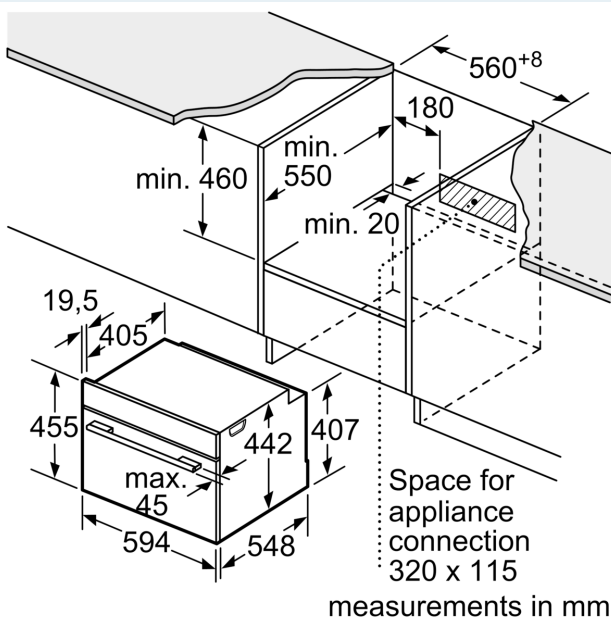


- A: 19.5 mm
- B: Space for appliance connection 320 x 115 mm
- C: Ventilation space in the base $\geq 200 \text{ cm}^2$

**Installing two appliances on top of each other
Air exchange**

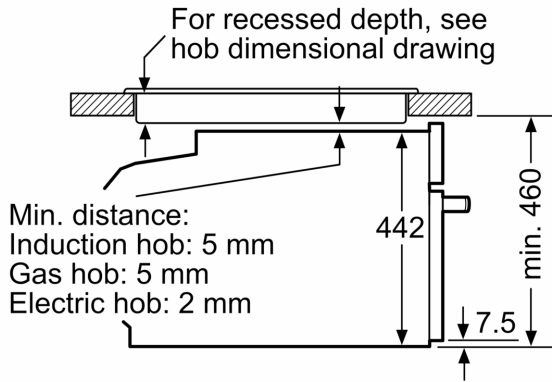


A: Air inlet $\geq 200 \text{ cm}^2$



measurements in mm

Installation with a hob.



measurements in mm

If the compact appliance will be installed underneath a hob, the following worktop thicknesses (including substructure if necessary) must be taken into account.

Hob type	min. worktop thickness	
	fitted	flush
Induction hob	42 mm	43 mm
Full surface Induction hob	52 mm	53 mm
Gas hob	32 mm	43 mm
Electric hob	32 mm	35 mm