

## iQ700, Built-in Compact Microwave Oven, 60 x 45 cm, Stainless steel CM656GBS1



Shorten your cooking time thanks to fast preheat and coolStart.

- ✓ varioSpeed: reduce cooking times by up to 50%.
- ✓ fastPreheat: reach the required baking temperature sooner; coolStart: no need to preheat the oven for deep frozen food.
- ✓ Far less oven cleaning – ecoClean Plus.
- ✓ cookControl Plus: guaranteed success for numerous dishes.
- ✓ TFT Touchdisplay: user-friendly menu navigation with good display features.

Additional Features: ..... activeClean  
 Type of control: ..... Electronic  
 Dimensions: ..... 455 x 594 x 548 mm  
 Cavity dimensions: ..... 237.0 x 480 x 392.0 mm  
 Length electrical supply cord: ..... 150.0 cm  
 Net weight: ..... 36.0 kg  
 Gross weight: ..... 38.3 kg  
 EAN code: ..... 4242003658369  
 Maximum Power: ..... 900 W  
 Connection rating: ..... 3600 W  
 Fuse protection: ..... 16 A  
 Voltage: ..... 220-240 V  
 Frequency: ..... 60; 50 Hz  
 Plug type: ..... Gardy plug w/ earthing  
 Included accessories: ..... 1 x combination grid, 1 x universal pan



1 x combination grid, 1 x universal pan

HZ631070 Baking tray, enamelled, HZ632070 Multipurpose pan, enamelled, HZ634080 Baking and roasting grid (microwave), HZ636000 Glass pan, HZ664000 Baking and roasting grid (steam), HZ66X600 Decor list, HZ66X650 Cover Strip, HZ915003 Glass roasting dish, 5,4 L, HZG0AS00 Connecting cable 3m, HZ327000 Baking stone, HZ531010 Baking tray, non-stick ceramic coated, HZ532010 Universal pan, non-stick ceramic coated, HZ617000 Pizza pan, enamelled, HZ625071 Grill tray, enamelled

## iQ700, Built-in Compact Microwave Oven, 60 x 45 cm, Stainless steel CM656GBS1

### Type of oven / heating system:

- Compact oven with microwave with 13 heating methods:
- 4D hot air, Hot Air-Eco, Conventional cooking, Conventional heat ECO, hot air grilling, Full width grill, Half width grill, Intensive hot air, Deep-frozen food special, Bottom heat, low temperature cooking, Plate warming setting, Hold warm setting
- Additional heating methods with microwave: microwave, combi microwave variable
- Max. Power: 900 W; 5 Microwave power settings (90 W, 180 W, 360 W, 600 W, 900 W) with Inverter (MW)
- Cavity volume: 45 l

### Design:

- Cavity inner surface: enamel anthracite

### Cleaning:

- ecolyse program

### Comfort:

- LED clock and automatic programmer
- Rapid heating-up
- LED light, Independent oven interior light button
- Integral cooling fan

### Accessory:

- 1 x universal pan, 1 x combination grid

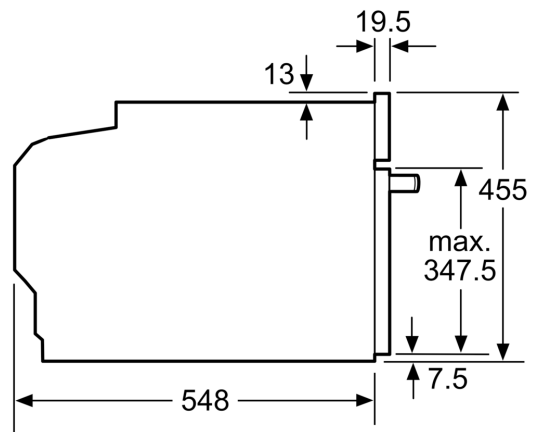
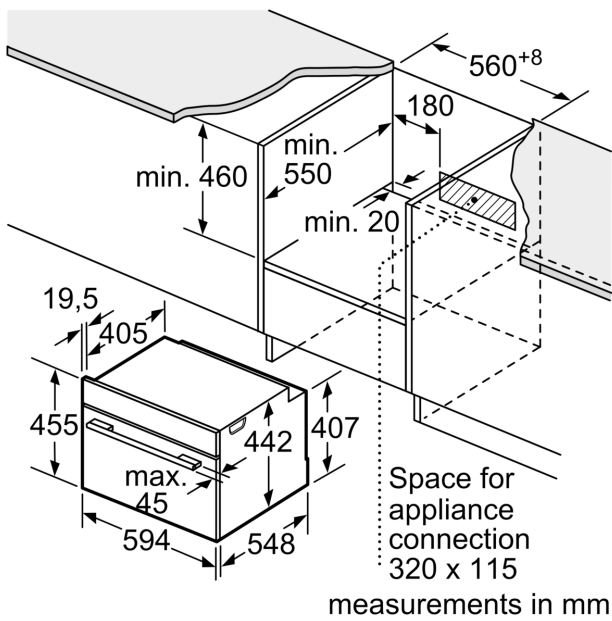
### Comfort and Safety:

- Child safety button
- Automatic safety switch off residual heat indicator start button door contact switch

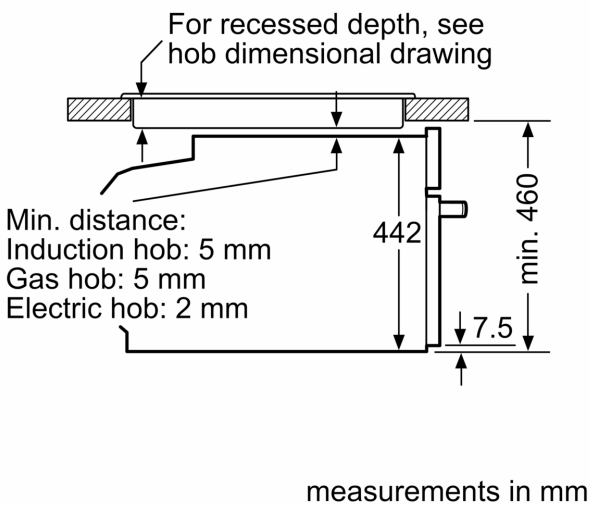
### Technical Info:

- Total connected load electric: 3.6 KW
- Appliance dimension (hxwx): 455 mm x 594 mm x 548 mm
- "Please reference the built-in dimensions provided in the installation drawing"
- Intelligent inverter technology: maximum output power will be regulated to 600 W when used in longer operation
- Drop down door, soft closing, soft opening
- Temperature range 30 °C - 300 °C
- Number of shelf levels: 3 PC
- Rotary Control
- Bar handle
- coolStart
- Maximum window temperature 40° C
- We recommend you to choose complementary products within iQ700, in order to assure an optimal design combination of your Built-In appliances.

**iQ700, Built-in Compact  
Microwave Oven, 60 x 45 cm,  
Stainless steel  
CM656GBS1**



**Installation with a hob.**



If the compact appliance will be installed underneath a hob, the following worktop thicknesses (including substructure if necessary) must be taken into account.

Hob type	min. worktop thickness	
	fitted	flush
Induction hob	42 mm	43 mm
Full surface Induction hob	52 mm	53 mm
Gas hob	32 mm	43 mm
Electric hob	32 mm	35 mm

