



CE291101

Electric Hob 200 series

90 cm

CE291101

Frameless for flush mounting
Frying sensor function
Three-ring cooking zone up to 27 cm
Large roasting zone
Sensor control with direct selection of output level

Cooking zones

2 Super-Quick cooking zones \varnothing 18 cm (1800 W); together they convert to 18 x 41.5 cm (4400 W) roasting zone.

1 Super-Quick cooking zone \varnothing 12 cm (750 W), converts to \varnothing 21 cm (2100 W, with booster 2600 W) cooking zone.

1 Super-Quick cooking zone \varnothing 14.5 cm (1050 W), converts to \varnothing 21 cm (2200 W) or \varnothing 27 cm (3080 W) cooking zone.

1 Super-Quick cooking zone \varnothing 14.5 cm (1200 W, with booster 1600 W).

Handling

Sensor control with direct selection of output level.

Cooking zone marking.

Electronic power control in Variable 17-stage power settings for each zone.

Features

Frying sensor function for \varnothing 21 cm cooking zone.

Booster function.

Cooking timer for up to 99 minutes.

Short-term timer.

Options menu.

Safety

Main switch.

Operation indicator.

2 stage Hh residual heat indicator for each zone

Child lock.

Safety shut-off.

Planning notes

Immersion depth 51 mm, depth at plug socket 51 mm.

The cooktop must not be installed lower than the top edge of the worktop.

Under the plug socket, a 10 mm clearance must be observed from side panels or from intermediate shelf.

The cooktop must be freely accessible from underneath to be able to detach the cooktop's base in a downward direction.

Installation possible in a 60 cm wide lower cabinet.

Appliance must be fixed from underneath.

Cooktop clamping range: 20 - 50 mm.

Joint width may vary due to dimensional tolerances of the glass ceramic cooktop and the worktop cut-out.

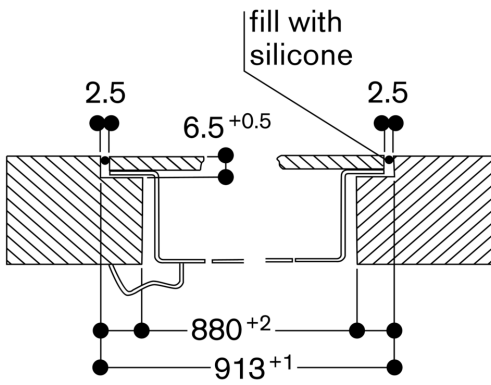
Appliance weight: approx. 14.

Connection

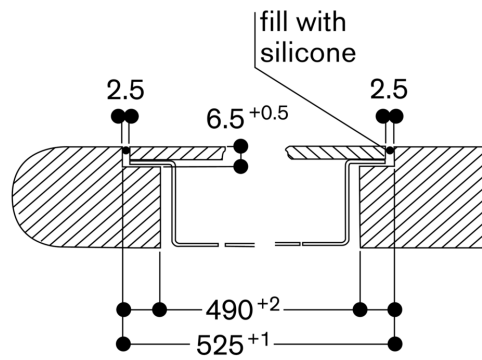
Total connected load 11.0 KW.

Plan a connection cable.

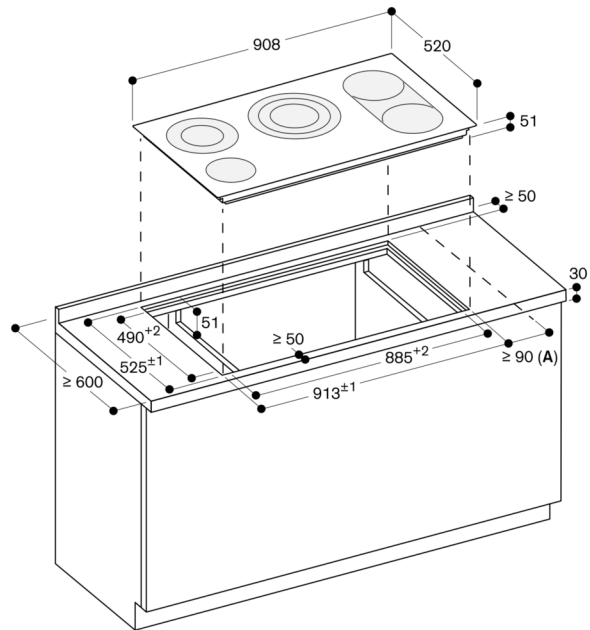
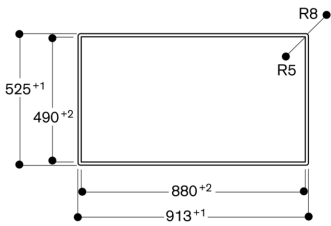
Longitudinal section



Cross section



View from above



A: Minimum distance from the hob cut-out to the wall.

measurements in mm