

**Series 8, Warmer Drawer, 60 x 14 cm, Stainless steel
BIC630NS1**



HEZG9AS00S Adapter

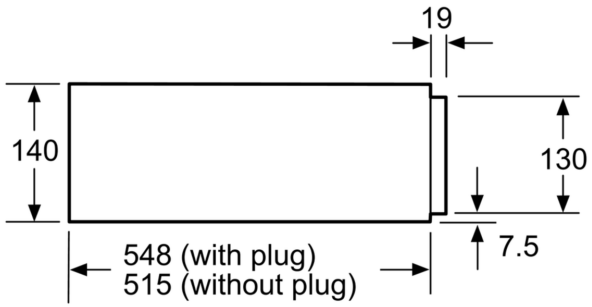
The multifunctional warming drawer for the 14 cm niche: for pre-heating plates, keeping food warm and low temperature cooking.

- **Push-pull mechanism:** easy opening and closing thanks to a practical spring mechanism.
- **Cleaning convenience:** easy-to-clean hotplate made of tempered glass.

Built-in / Free-standing: Built-in
 Maximum number of plates: 12
 Maximum number of espresso cups: 64
 Dimensions: 140 x 594 x 548 mm
 Dimensions of the packed product (HxWxD): 210 x 660 x 660 mm
 Min. required niche size for installation (HxWxD): 140 x 560 x 550 mm
 EAN code: 4242002813851
 Fuse protection: 10 A
 Voltage: 220-240 V
 Frequency: 60; 50 Hz
 Plug type: Gardy plug w/ earthing

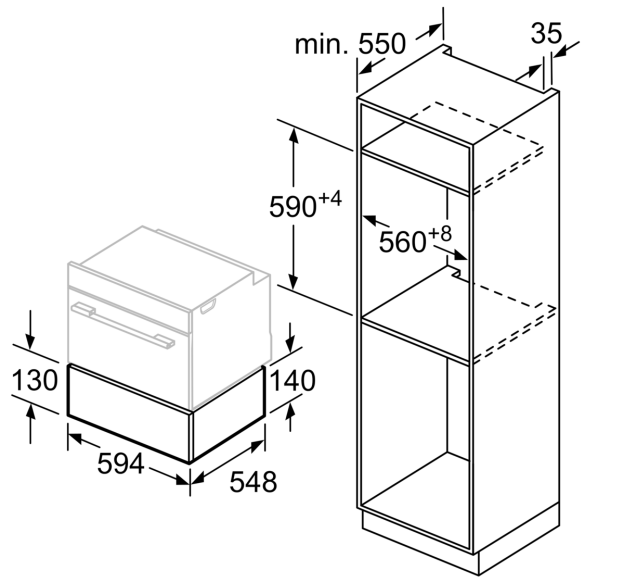


**Series 8, Warmer Drawer, 60 x 14 cm, Stainless steel
BIC630NS1**



Compact ovens with an appliance height of 455 mm can be installed above a warming drawer. An intermediate floor is not required.

measurements in mm



measurements in mm