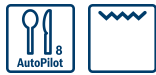


Series 6, Built-in Microwave, 59 x 38 cm, Stainless steel BEL554MS0



- **AutoPilot 8:** every dish is a perfect success thanks to 8 pre-set automatic programmes.
- **Pop-out controls:** Make the front of the oven easy to clean and give it a sleek look.
- **Grill function:** perfect grilling results are quickly and easily achieved thanks to a powerful grill.

Type of micro-wave oven: MW+Grill function
 Type of control:Electronic
 Dimensions: 382 x 594 x 388 mm
 Cavity dimensions: 208.0 x 328.0 x 369.0 mm
 Length electrical supply cord: 130.0 cm
 Net weight: 18.3 kg
 Gross weight: 22.1 kg
 EAN code:4242005038992
 Max. microwave power level: 900 W
 Connection rating: 1450 W
 Fuse protection:10 A
 Voltage: 220-230 V
 Frequency: 50 Hz
 Plug type: Gardy plug w/ earthing
 Included accessories: 1 x grid, 1 x Turntable

1 x grid, 1 x Turntable



HEZ86D000 Steamer Cooker Accessory for Microwave
 HEZG9AS00S Adapter

Series 6, Built-in Microwave, 59 x 38 cm, Stainless steel BEL554MS0

Microwave and heating mode:

- Max. Power: 900 W; 5 Microwave power settings: 90 W, 180 W, 360 W, 600 W, 900 W
- Grill 1200 W
- Grill and microwave power levels 90 W, 180 W, 360 W combinable
- Microwave and grill for separate use and in combination
- Kombination nutzbar
- Cavity volume: 25 l

Design:

- stainless steel cavity

Comfort:

- LED
- electronic clock
- User-friendly electronics: extremely easy and comfortable operation
- automatic programmes, 8
- 4 defrost and 3 cooking programmes in microwave function, 1 programme for combination function
- memory function (1 setting)
- LED light
- 31.5 cm Glass
- Side opening door, left hinged

Accessory:

- 1 x Turntable, 1 x grid

Comfort and Safety:

- Automatic safety shut off
- door contact switch
- Integral cooling fan

Technical Info:

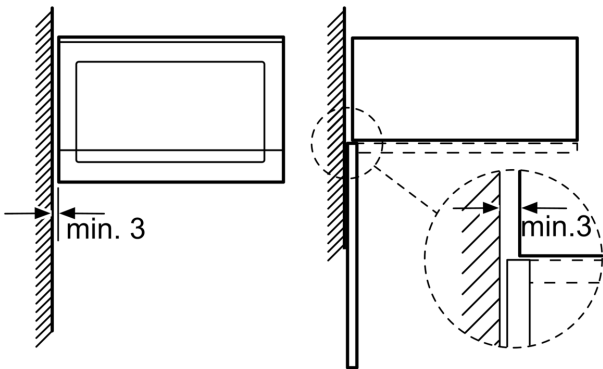
- Length of mains cable: 130 cm
- Total connected load electric: 1.45 KW
- Nominal voltage: 220 - 230 V
- Suitable for installation in tall housing

Dimensions:

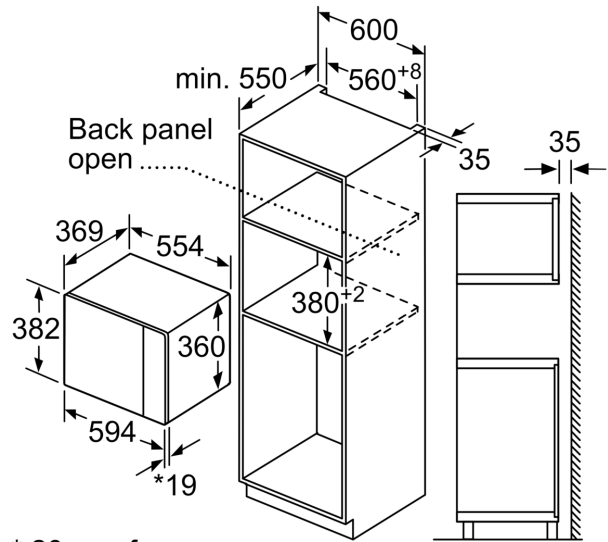
- Appliance dimension (hxwx): 382 mm x 594 mm x 388 mm
- Niche dimension (hxwx): 560 mm - 568 mm x 380 mm - 382 mm x 550 mm
- "Please reference the built-in dimensions provided in the installation drawing"

**Series 6, Built-in Microwave, 59 x 38 cm, Stainless steel
BEL554MS0**

Microwave,
corner installation

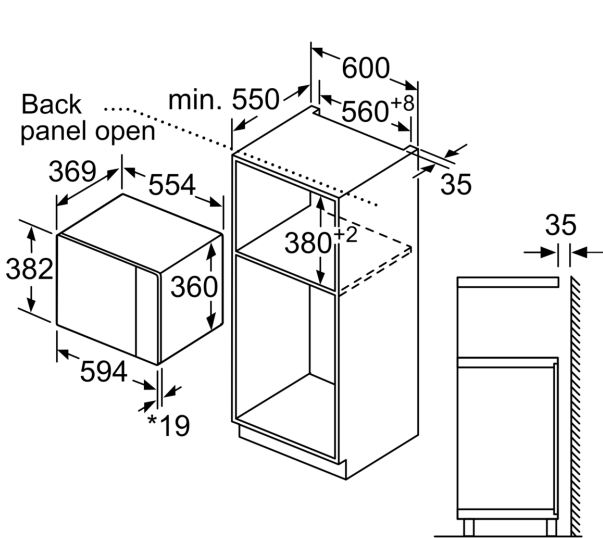


Measurements in mm



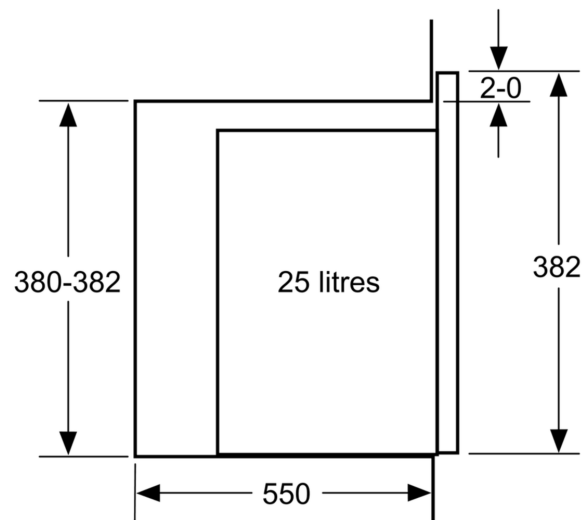
* 20 mm for
metal fascia

measurements in mm



* 20 mm for metal fascia

measurements in mm



measurements in mm