

**iQ700, Built-in Microwave, Black
BE732L1B1**



The microwave with touchControl for easy control and direct selection of heating modes.

- ✓ cookControl Plus – Pre-installed settings for excellent results.
- ✓ cookControl10: automatic programs ensure best results.
- ✓ For fast cleaning dirt is softened beforehand by vaporizing soapy water. It can then be removed more easily – humidClean Plus program.
- ✓ Inverter Technology – Constant microwave power for gradually heated food.
- ✓ Grill function – For even heating and perfect browning.

Additional Features: Steam Functionality
 Type of control: Electronic
 Dimensions: 382 x 594 x 318 mm
 Cavity dimensions: 230 x 350 x 270 mm
 Length electrical supply cord: 175.0 cm
 Net weight: 19.0 kg
 Gross weight: 21.0 kg
 EAN code: 4242003906675
 Maximum Power: 900 W
 Connection rating: 1990 W
 Fuse protection: 10 A
 Voltage: 220-240 V
 Frequency: 50; 60 Hz
 Plug type: GARDY plug w/ earthing
 Included accessories: 1 x grid, 1 x Glass tray



4 242003 906675

1 x grid, 1 x Glass tray	
HZ6TCC0	Cookbook
HZG9AS00S	Adapter

iQ700, Built-in Microwave, Black BE732L1B1

Microwave and heating mode:

- Max. Power: 900 W; 5 Microwave power settings: 90 W, 180 W, 360 W, 600 W, 900 W
- Intelligent inverter technology: maximum output power will be regulated to 600 W when used in longer operation
- Grill and microwave power levels 90 W, 180 W, 360 W combinable
- Cavity volume: 21 l

Design:

- stainless steel cavity with glass bottom

Cleaning:

- ceiling
- hydrolyse program

Comfort:

- electronic clock
- Touch control
- User-friendly electronics: extremely
- easy and comfortable operation
- automatic programmes, 10
- yes: one tap to maximum microwave power for 30 seconds
- LED light
- Door hinge
- Open Button, electric
- Touch key operation

Accessory:

- 1 x grid, 1 x Glass tray

Comfort and Safety:

- Automatic safety switch off
- start button door contact switch
- Integral cooling fan

Technical Info:

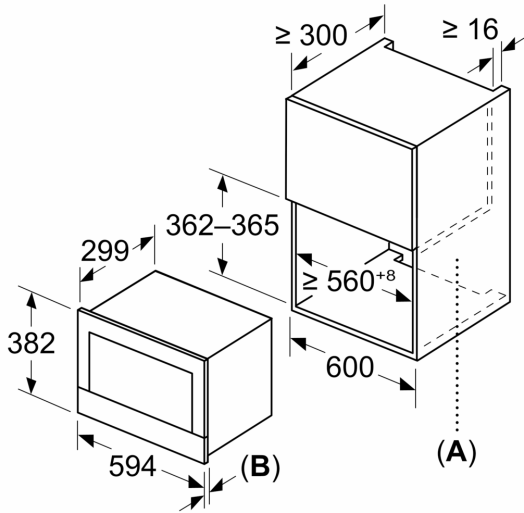
- Length of mains cable: 175 cm
- Total connected load electric: 1.99 KW
- Nominal voltage: 220 - 240 V
- Suitable for tall housing installation, For installation into a 60 cm wall cupboard (at least 30cm deep)

Dimensions:

- Appliance dimension (hxwxd): 382 mm x 594 mm x 318 mm
- Niche dimension (hxwxd): 560 mm - 568 mm x 362 mm - 382 mm x 300 mm
- "Please reference the built-in dimensions provided in the installation drawing"

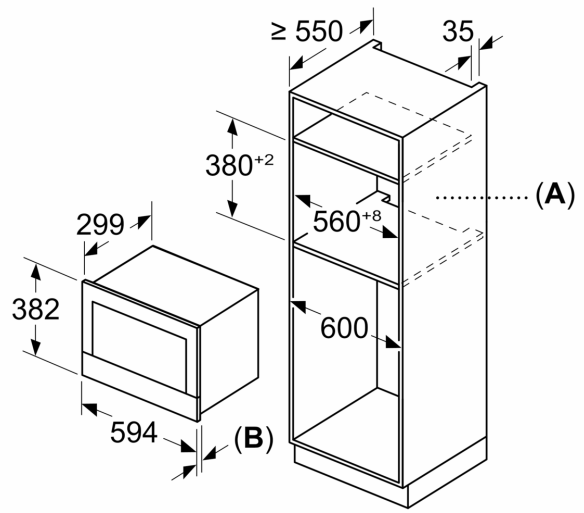
iQ700, Built-in Microwave, Black
BE732L1B1

Measurements in mm



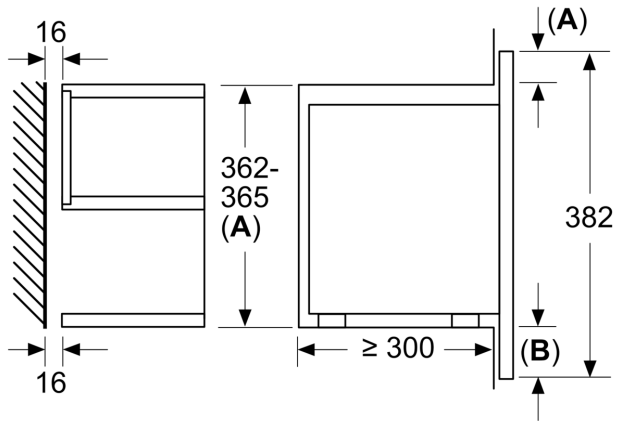
A: Back wall open
B: 19.5 mm

Measurements in mm



A: Back wall open
B: 19.5 mm

measurements in mm



A: Overhang at top:
Recess 362: 6 mm
Recess 365: 3 mm
B: Overhang at bottom: 14 mm