

**iQ700, Built-in Microwave,
Stainless steel
BE634LGS1**



- ✓ cookControl10: automatic programs ensure best results.
- ✓ Good readability from any perspective - TFT-Display.
- ✓ Wattage: time-saving and powerful up to 900 watts.
- ✓ The side-opening hinged door: ideal for elevated installation.
- ✓ Foods are evenly browned by the powerful grill.

Additional Features: Steam Functionality
 Type of control: Electronic
 Dimensions: 382 x 594 x 318 mm
 Cavity dimensions: 220 x 350 x 270 mm
 Length electrical supply cord: 150.0 cm
 Net weight: 18.7 kg
 Gross weight: 20.9 kg
 EAN code: 4242003676363
 Maximum Power: 900 W
 Connection rating: 1990 W
 Fuse protection: 10 A
 Voltage: 220-240 V
 Frequency: 50; 60 Hz
 Plug type: Gardy plug w/ earthing
 Included accessories: 1 x grid, 1 x Glass tray

1 x grid, 1 x Glass tray

HZ6TCC0 Cookbook
 HZG9AS00S Adapter



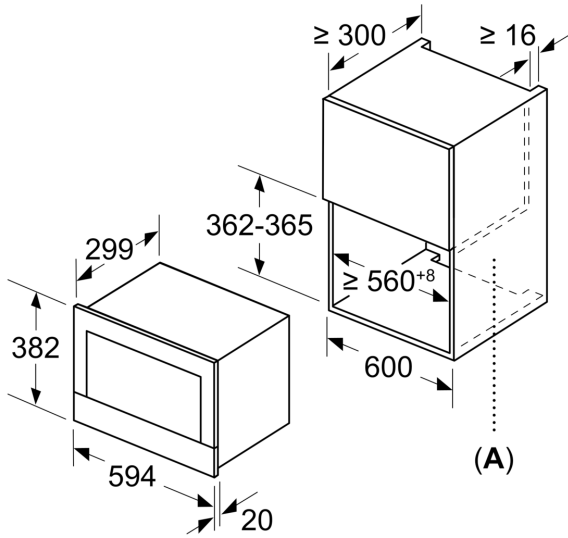
iQ700, Built-in Microwave, Stainless steel BE634LGS1

Design:

- LED light
- Total connected load electric: 1.99 KW

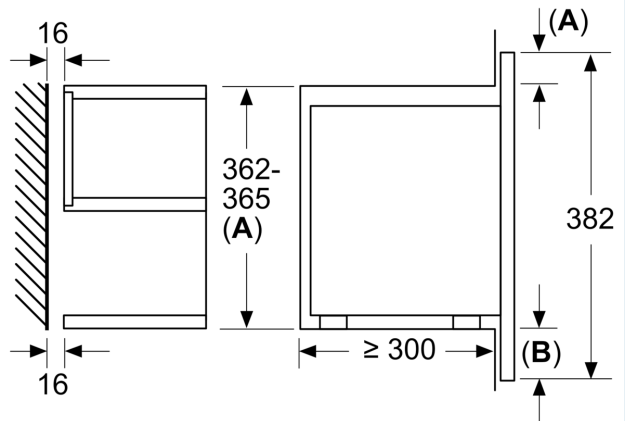
iQ700, Built-in Microwave,
Stainless steel
BE634LGS1

measurements in mm

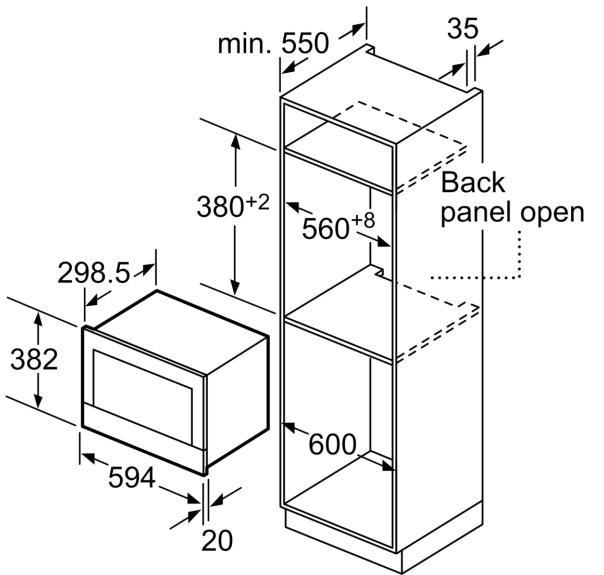


A: Back panel open

measurements in mm



- A: Overhang at top:
Recess 362: 6 mm
Recess 365: 3 mm
- B: Overhang at bottom: 14 mm



measurements in mm