

**iQ500, Built-in Microwave, 59 x 38 cm, Stainless steel
BE555LMS0**



1 x grid, 1 x Turntable	
HZ86D000	Steamer Cooker Accessory for Microwave

38 cm high built-in microwave for defrosting, reheating or preparation of dishes in the shortest possible time.

- ✓ cookControl8: automatic programs ensure best results.
- ✓ The touchControl allows the temperature to be controlled by entering it directly or by moving the slider with a single finger.
- ✓ Wattage: time-saving and powerful up to 900 watts.
- ✓ The side-opening hinged door: ideal for elevated installation.
- ✓ Foods are evenly browned by the powerful grill.

Additional Features: Steam Functionality
Type of control: Electronic
Dimensions: 382 x 594 x 388 mm
Cavity dimensions: 208.0 x 328.0 x 369.0 mm
Length electrical supply cord: 130.0 cm
Net weight: 18.3 kg
Gross weight: 22.1 kg
EAN code: 4242003805695
Maximum Power: 900 W
Connection rating: 1450 W
Fuse protection: 10 A
Voltage: 220-230 V
Frequency: 50 Hz
Plug type: Gardy plug w/ earthing
Included accessories: 1 x grid, 1 x Turntable



iQ500, Built-in Microwave, 59 x 38 cm, Stainless steel BE555LMS0

Microwave and heating mode:

- Max. Power: 900 W; 5 Microwave power settings: 90 W, 180 W, 360 W, 600 W, 900 W
- Grill 1200 W
- Grill and microwave power levels 90 W, 180 W, 360 W combinable
- Microwave and grill for separate use and in
- Kombination nutzbar
- Cavity volume: 25 l

Design:

- stainless steel cavity
- electronic clock
- User-friendly electronics: extremely
- easy and comfortable operation
- automatic programmes, 8
- 4 defrost and 3 cooking programmes in microwave function, 1 programmes for combination function
- memory function (1 setting)
- LED light
- 31.5 cm Glass
- Door hinge

Accessory:

- 1 x Turntable, 1 x grid

Comfort and Safety:

- Automatic safety switch off
- door contact switch
- Integral cooling fan

Technical Info:

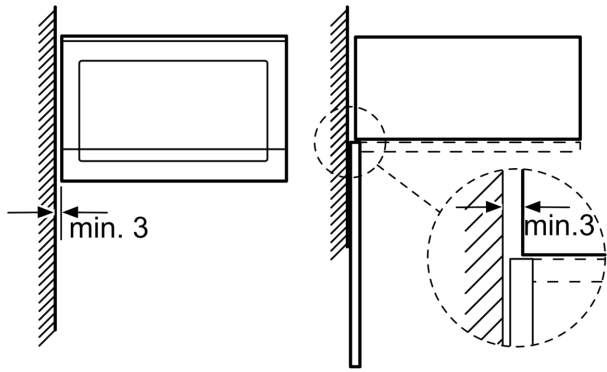
- Length of mains cable: 130 cm
- Total connected load electric: 1.45 KW
- Nominal voltage: 220 - 230 V
- Suitable for tall housing installation

Dimensions:

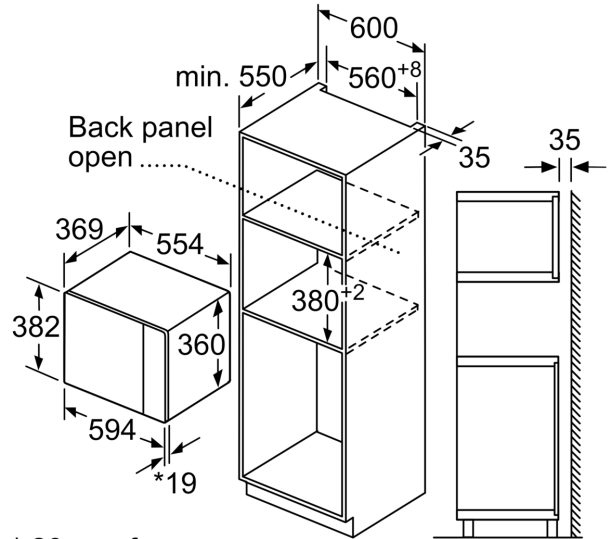
- Appliance dimension (hxwxd): 382 mm x 594 mm x 388 mm
- Niche dimension (hxwxd): 560 mm - 568 mm x 380 mm - 382 mm x 550 mm
- "Please reference the built-in dimensions provided in the installation drawing"

**iQ500, Built-in Microwave, 59 x 38 cm, Stainless steel
BE555LMS0**

Microwave,
corner installation

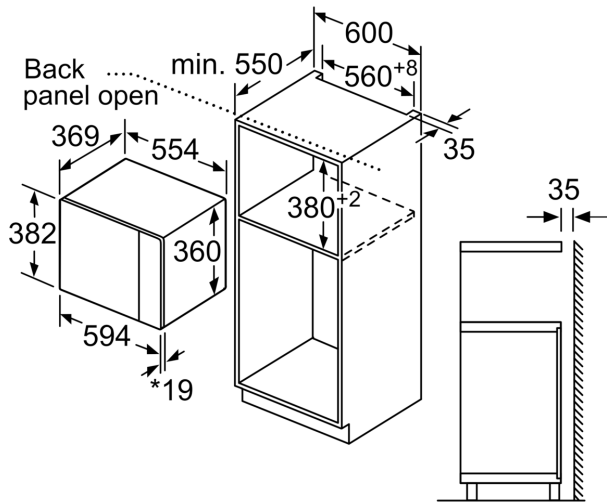


Measurements in mm



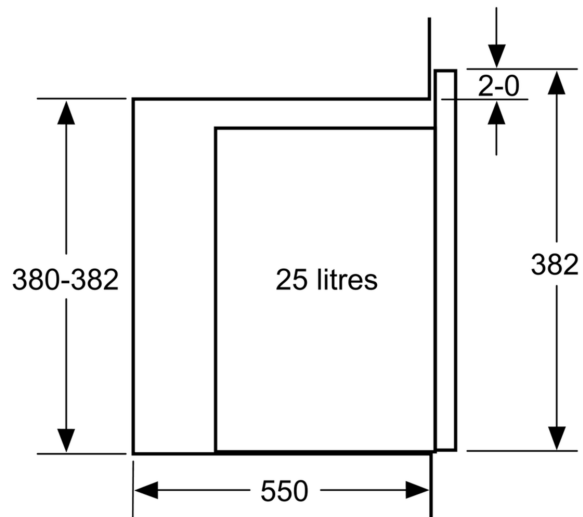
* 20 mm for metal fascia

measurements in mm



* 20 mm for metal fascia

measurements in mm



measurements in mm