

**Serie | 2, washing machine,  
frontloader fullsize, 6 kg, 1000 rpm  
WAB20262ME**



**The Classixx with VarioPerfect™: you  
decide whether washing should be super-  
fast or super-efficient.**

- **VarioPerfect™**: takes up to 65% less time or uses up to 50% less energy – by simply selecting SpeedPerfect or EcoPerfect functions.
- Never miss an item again, with Reload.
- Super Quick 30 is a convenient method of freshening up light-solied laundry in 30 minutes

**Technical data**

:	Left
Color / Material body :	White
Length electrical supply cord (cm) :	160
:	848.00
:	848
Dimensions of the product (mm) :	848 x 598 x 550
Wheels :	No
Net weight (kg) :	65.179
Drum volume (l) :	42
Main colour of product :	White
Door Frame :	white
Color Buttons :	silver
Color Dial :	silver white
:	57
:	2300
Current (A) :	10
Voltage (V) :	220-240
Frequency (Hz) :	50
Energy Star Qualified :	No
Cord Included :	No
Length of drain hose (in) :	49.21
Length of supply hose (in) :	59.05
Appliance Dimensions (h x w x d) (inches) :	x x
Dimensions of the packed product (in) :	33.85 x 24.99 x 24.80
Net weight (lbs) :	144.000
Gross weight (lbs) :	146.000
Length of drain hose :	125.00
Length of supply hose :	150.00
Dimensions of the packed product (HxWxD) (mm) :	860 x 630 x 635
Gross weight (kg) :	66.1
:	2300
Current (A) :	10
Voltage (V) :	220-240
Frequency (Hz) :	50
Approval certificates :	, VDE
Water protection system :	Multiple water protection
Number of Options :	7
Spin speed options :	Variable
Digital countdown indicator :	Yes
Progress indicator :	LED

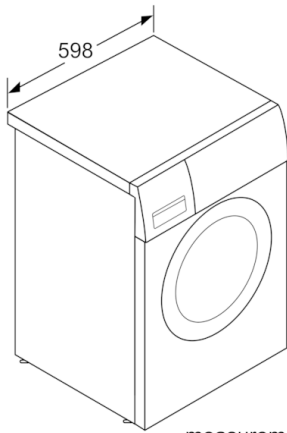


## **Serie | 2, washing machine, frontloader fullsize, 6 kg, 1000 rpm WAB20262ME**

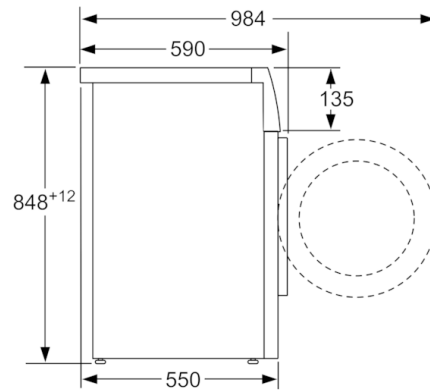
### **The Classixx with VarioPerfect™: you decide whether washing should be super-fast or super-efficient.**

- Capacity: 6 kg
- Energy Efficiency Class: A+++
- Max. spin speed: 1000 rpm
- Drum volume: 42 l
- Fully electronic control dial for all wash- and special programs
- Special programmes: easy care plus, Mixed load, shirts/blouses, sportswear, allergy plus, Quick 30'/15', Wool, delicates/silk
- VarioPerfect: time- or energy optimized programs with perfect wash performance
- Buttons: start/pause, Spin speed reduction, EcoPerfect, SpeedPerfect, Aqua plus, Temperature
- ActiveWater™: automatic load adjustment system
- Unbalanced load detection
- Overdosage indication
- Multiple water protection
- Aquatronic wash system
- Childproof
- Dimensions (H x W x D): 84.8 cm x 59.8 cm x 55.0 cm
- A+++ 6kg 1000rpm
- VarioPerfect
- Energy consumption 153 kWh per year, based on 220 standard washing cycles for cotton programmes at 60°C and 40°C at full and partial load, and the consumption of the low power modes. Actual energy consumption will depend on how the appliance is used.
- Energy consumption of the standard 60 °C cotton programme 0.74 kWh at full load and 0.73 kWh at partial load and of the standard 40 °C cotton programme 0.5 kWh at partial load
- Weighted power consumption off-mode / left-on mode: 0.15 W / 1.27 W
- Water consumption 10560 litres per year, based on 220 standard washing cycles for cotton programmes at 60°C and 40°C at full and partial load. Actual water consumption will depend on how the appliance is used.
- Spin-drying efficiency class: C
- Indication that cotton 60° + button EcoPerfect and cotton 40° + button EcoPerfect are the standard washing programmes to which the information in the label and the fiche relates, that these programmes are suitable to clean normally soiled cotton laundry and that they are the most efficient programmes in terms of combined energy and water consumption.
- Programme time of the standard 60 °C cotton programme 270 min at full load and 270 min at partial load and of the standard 40 °C cotton programme 270 min at partial load
- Noise level washing in standard 60° cotton programme at full load in dB (A) re 1 pW: 57
- Noise level spinning at standard 60°C cotton programme at full loading in dB (A) re 1 pW: 73
- Slide-under at height of 85 cm
- display for programme progress, temperature, spin speed, remaining time and 24 h endtime delay
- Foam detection system
- 30 cm-porthole, white with 140° openingdoor

**Serie | 2, washing machine, frontloader**  
**fullsize, 6 kg, 1000 rpm**  
**WAB20262ME**



measurements in mm



measurements in mm