

**Serie | 4, Built-in oven, 90 x 60 cm
VBD554FS0**



Included accessories
1 x enamel baking tray
1 x combination grid
1 x universal pan

**The built-in oven with hotair, 90 cm width:
achieve perfect baking and roasting results
for big roasts or dishes of large quantities**

- **Hotair:** perfect results on two levels thanks to optimal distribution of heat.
- **LED display control, red:** easy-to-use thanks to the time functions.
- The DualClean™ System Uses the Cavity Coating and Heat to Burn Off Most Grease.
- **1-fold telescopic rail, level independent:** can be placed in any baking level.
- Touch Control with SteelTouch™ Buttons Makes Operating the Oven Easier.

Technical data

Integrated Cleaning system : Hydrolytic
 Required niche size for installation (HxWxD) : 600-604 x 860-864 x 560 mm
 Dimensions : 594 x 896 x 570 mm
 Dimensions of the packed product (HxWxD) : 693 x 680 x 968 mm
 Control Panel Material : brushed stainless steel
 Door Material : Glass
 Net weight : 53.7 kg
 Usable volume of cavity : 112 l
 Heating modes : : Bottom heat, Circulating air, Conventional heat, Conventional heat gentle, Full width grill, Hot air grilling, Hot Air Standard, Rotisserie
 Number of interior lights : 2
 Approval certificates : G-Mark
 Length electrical supply cord : 115 cm
 Interior Lights - cavity 1 : 2
 : Clip rails
 Clock function : Alarm, Off, On, timer
 Included accessories : 1 x enamel baking tray, 1 x combination grid, 1 x universal pan
 Broil Element Wattages cavity 1 : 2900 W
 Convection Element Wattages cavity 1 : 3100 W
 Energy consumption per cycle conventional (2010/30/EC) : 1.19 kWh/cycle
 Energy consumption per cycle forced air convection (2010/30/EC) : 1.27 kWh/cycle
 Energy efficiency index (2010/30/EC) : 116.7 %
 : 3300 W
 Fuse protection : 16 A
 Voltage : 220-240 V
 Frequency : 50; 60 Hz
 Plug type : no plug (electrical connection by electrician)
 Approval certificates : G-Mark
 Required cutout/niche size for installation (in) : x x
 Dimensions of the packed product : 27.28 x 38.11 x 26.77
 Net weight : 118.000 lbs
 Gross weight : 139.000 lbs
 Length electrical supply cord : 115 cm
 Net weight : 53.7 kg
 Gross weight : 62.9 kg



Serie | 4, Built-in oven, 90 x 60 cm VBD554FS0

**The built-in oven with hotair, 90 cm width:
achieve perfect baking and roasting results
for big roasts or dishes of large quantities**

Type of oven / heating system:

- 90 cm built-in oven with 8 heating methods: Hot air, Conventional heat, Circulated Air, Hot air grilling, Full width grill, Bottom heat, Conventional heat gentle
- Cavity volume: 112 l

Hook-in racks / rails

- 1 Clip-on rail

Design:

- Extra large capacity oven with grey enamel

Cleaning:

- catalytic side liners, Catalytic back liner
- Full glass inner door

Comfort:

- Electronic clock
- Bottom, Oven door with SoftClose, Soft opening
- Rapid heating-up
- Interior lighting
- Integral cooling fan

Accessory:

- 1 x enamel baking tray, 1 x combination grid, 1 x universal pan

Environment and Safety:

- Child lock
- Automatic switch off
- Start-/Stop button
- Door contact switch

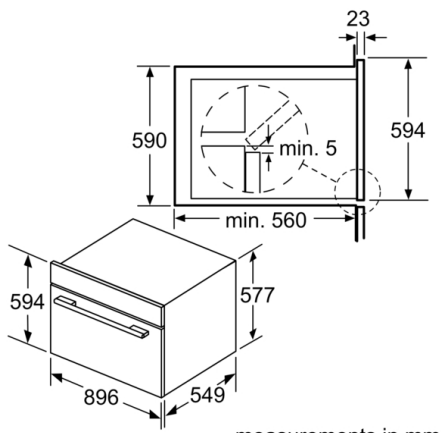
Technical Info:

- Length of mains cable: 115 cm
- Nominal voltage: 220 - 240 V
- Total connected load electric: 3.3 KW
- Cavity volume: 112 l

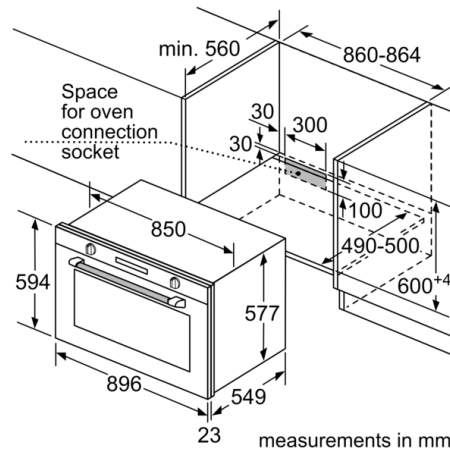
Dimensions:

- Appliance dimension (H x W x D): 594 mm x 896 mm x 570 mm
- Niche dimension (hxwx d): 560 mm - 568 mm x 450 mm - 455 mm x 550 mm
- "Please reference the built-in dimensions provided in the installation drawing"

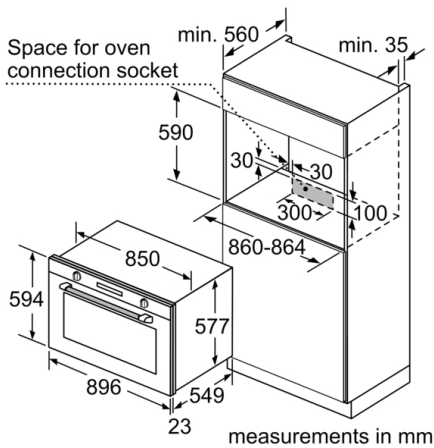
Serie | 4, Built-in oven, 90 x 60 cm
VBD554FS0



measurements in mm



measurements in mm



measurements in mm