

**Series 2, fully-integrated dishwasher,
60 cm
SMV25CX10Q**



- SGZ0BI02 decorative strips stainless steel 81,5cm
- SGZ1010 inlet and outlet hose extention
- SGZ8BI00 Connection rail for divided furniture
- SMZ1051EU Mains cable with EU-Plug 5m
- SMZ2056 Attachment door, stainless steel
- SMZ5000 Dishwashing aid set
- SMZ5002 Silver polishing cassette
- SMZ5003 Retractable hinge f. high corpus dimens.

**The ActiveWater 60 with height-adjustable
top rack: Gives you extra space for large
and bulky items.**

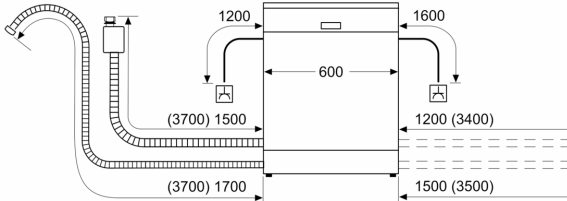
- **InfoLight:** a red infolight on the floor indicates whether the dishwasher is switched on or off.
- **AquaStop:** 100% lifetime warranty for water damages guaranteed.

Maximum number of place settings: 12
 The water consumption of the eco programme in liters per cycle (EU 2017/1369): 12.0 l
 Cleaning performance: A
 Water consumption: 12.0 l
 Total annual energy consumption 220 days: 224 kWh
 Total annual water consumption 220 days: 2640 l
 Built-in / Free-standing: Built-in
 Removable top: No
 Door panel options: Not possible
 Height of removable worktop: 0 mm
 Height of the appliance: 815 mm
 Adjustable feet: Yes - all from front
 Maximum adjustability feet: 60 mm
 Adjustable plinth: Both horizontal and vertical
 Net weight: 31.6 kg
 Gross weight: 33.4 kg
 Connection rating: 2400 W
 Fuse protection: 10 A
 Voltage: 220-240 V
 Frequency: 50; 60 Hz
 Length electrical supply cord: 175.0 cm
 Plug type: Gardy plug w/ earthing
 Length inlet hose: 165 cm
 Length outlet hose: 190 cm
 Hidden heating element: Yes
 Water protection system description: Triple water protection 24h
 Child safety devices: No
 Water softener: Yes
 Top basket type: low
 Adjustable upper basket: Single
 Bottom basket type: low
 3rd Rack: None
 Optional accessories: SGZ0BI02, SGZ1010, SGZ8BI00, SMZ1051EU, SMZ2056, SMZ5000, SMZ5002, SMZ5003
 Included accessories 2: steam protection
 Number of place settings: 12
 Dimensions of the product (HxWxD): 815 x 598 x 550 mm
 Dimensions of the packed product (HxWxD): 860 x 640 x 660 mm

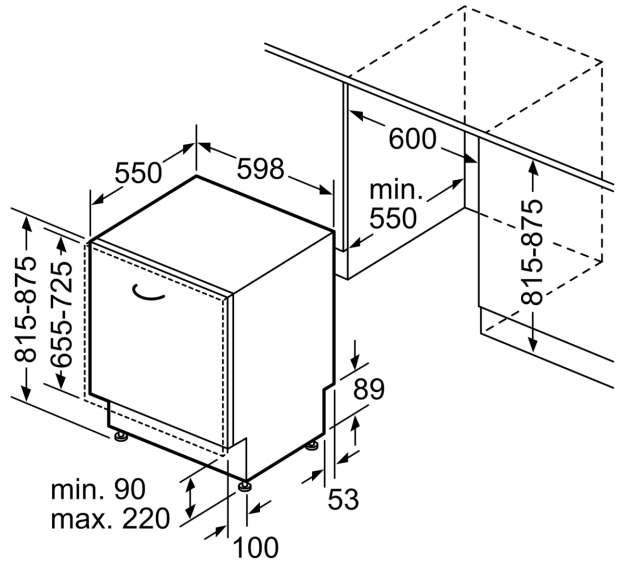


**Series 2, fully-integrated dishwasher,
60 cm
SMV25CX10Q**

measurements in mm



⌚ socket
() values with extension kit



measurements in mm