

**Series 8, Mixed hob (gas and electric), 60 cm, Ceramic, Black
PRY6A6B70Q**



HEZ298105 Simmer plate
HEZ298114 Small pot support

**The ceramic glass gas hob with
FlameSelect: achieve perfect cooking
results thanks to nine precisely defined
power levels.**

- **FlameSelect:** for a precise adjustment of the flame in nine defined levels.
- **Dishwasher-proof pan supports:** for a convenient cleaning in the dishwasher.
- **Ceramics glass is much more slim and durable with better vertical conduction.**
- **Biomethane ready:** Your gas hob can also be powered with renewable biomethane gas.

Product name/family: Mixed hob with integrated controls
 Built-in / Free-standing: Built-in
 Total number of positions that can be used at the same time: 3
 Type of control setting devices: sword knobs
 Min. required niche size for installation (HxWxD):45 x 560-562 x 490-502 mm
 Width of the appliance: 606 mm
 Dimensions: 47 x 606 x 527 mm
 Dimensions of the packed product (HxWxD): 165 x 677 x 579 mm
 Net weight: 10.8 kg
 Gross weight: 12.0 kg
 Residual heat indicator:No
 Location of control panel: Front panel:
 Basic surface material:Ceramic
 Color of surface:Black, Alu, brushed
 Color of frame:Black
 Length electrical supply cord: 100.0 cm
 Knob Material:Plastic
 Sealed Burners:No
 Type of pan support: Elongated cast iron pan support
 Power of 3rd heating element (kW): 1.1 kW
 Power of 5th heating element (kW): 2.8 kW
 Connection rating: 1800 W
 Gas connection rating:5800 W
 Fuse protection:10 A
 Voltage: 220-240 V
 Frequency: 50; 60 Hz
 Gas type: Nat gas H/E/(L) 20 (25) mbar
 Alternative gas type: Liquid gas G30,31 28-30/37mbar
 Plug type: Gardy plug w/ earthing
 Appliance Dimensions (h x w x d) (in): x x
 Dimensions of the packed product: 6.49 x 22.79 x 26.65
 Net weight:24.000 lbs
 Gross weight: 26.000 lbs
 Total number of positions that can be used at the same time: 3
 Length electrical supply cord: 100.0 cm
 Min. required niche size for installation (HxWxD):45 x 560-562 x 490-502 mm
 Dimensions: 47 x 606 x 527 mm
 Dimensions of the packed product (HxWxD): 165 x 677 x 579 mm
 Net weight: 10.8 kg
 Gross weight: 12.0 kg



Series 8, Mixed hob (gas and electric), 60 cm, Ceramic, Black PRY6A6B70Q

**The ceramic glass gas hob with
FlameSelect: achieve perfect cooking
results thanks to nine precisely defined
power levels.**

Design:

- Ceramic glass

Comfort:

- Step valve 9 steps
- sword knobs
- Ignition via control knob
- Cast iron pan supports
- Pan supports dishwasher proof

Power and size:

- 3 Gas burners
- 3 Gas burners and 1 Electric cooking zone
- 1 rapid, 1 standard, 1 economy burner, 1 electronic cooking zone
- Left rear: Economy burner 1.1 KW
- Right rear: Rapid burner 2.8 KW
- Left front: Dual-circuit zone 0.7 KW, 1.8 KW
- Right front: Standard burner 1.9 KW

Environment and Safety:

- Flame failure safety device
- Residual heat indicator
- Preset of natural gas (20mbar)

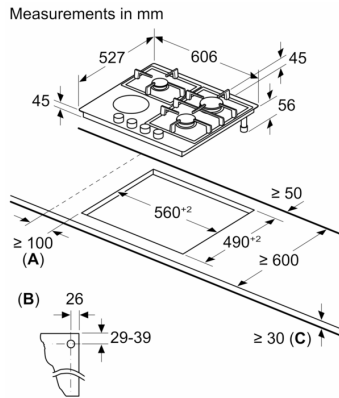
Measurements:

- Power cord length: 100 cm

Accessories

- Liquid gas nozzles (28-30/37mbar) included

**Series 8, Mixed hob (gas and electric), 60 cm, Ceramic, Black
PRY6A6B70Q**



A: Min. distance from the hob cut-out to the wall

B: Position of gas connection in the cut-out

C: With fitted oven underneath possibly more; see space requirements for the oven