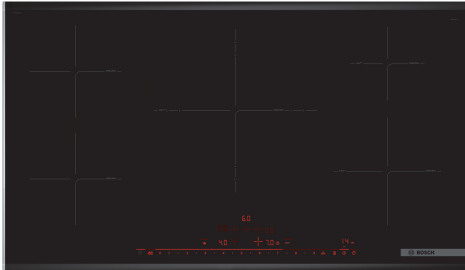


**Series 8, Induction hob, 90 cm,
Black,
PIV975DC1E**



- HEZ32WA00 Wireless food thermometer
- HEZ390090 Wok Set consisting of 3 Items
- HEZ390210 System pan diameter 15 cm
- HEZ390230 System pan diameter 21cm
- HEZ394301 Connecting strip
- HEZ9ES100 Espresso maker 4 cups
- HEZ9FE280 Iron pan Ø 18 / 28 cm
- HEZ9SE030 Set of 2 pots and 1 pan
- HEZ9SE040 4 pieces Set
- HEZ9SE060 6 pieces Set

The induction hob with PerfectFry: achieve perfect frying results thanks to automatic temperature control.

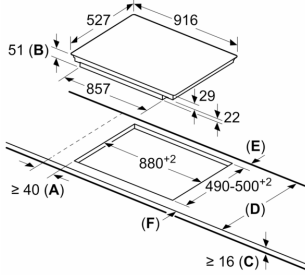
- **Induction:** Fast, precise cooking, easy cleaning and low energy consumption.
- **PerfectFry:** For perfect browning of roasted foods thanks to sensor control with 5 power levels.
- **PowerBoost:** Up to 50% more power for faster heating.
- **ReStart:** if something boils over, the cooktop automatically turns itself off and saves the last selected setting.
- **ChildLock:** locks the control panel to prevent accidental changes in settings.

Product name/family: Cooking zone ceramic
 Built-in / Free-standing: Built-in
 Energy input: Electric
 Total number of positions that can be used at the same time: 5
 Min. required niche size for installation (HxWxD):51 x 880-880 x 490-500 mm
 Width of the appliance:916 mm
 Dimensions: 51 x 916 x 527 mm
 Dimensions of the packed product (HxWxD): ... 126 x 1073 x 603 mm
 Net weight: 18.8 kg
 Gross weight: 22.5 kg
 Residual heat indicator:yes
 Location of control panel: Front
 Basic surface material: Ceramic
 Color of surface: Black, Alu, brushed
 Length electrical supply cord: 110.0 cm
 Sealed Burners: No
 Power Boost: All cooking zones
 Power of heating element (kW):1.8 kW
 Power of 3rd heating element (kW): 1.8 kW
 Power of 5th heating element (kW): 1.4 kW
 Power of heating element (kW in boost): [3.1] kW
 Power of 3rd heating element (kW in boost): [3.1] kW
 Power of 5th heating element (kW in boost): [2.2] kW
 Connection rating: 11100 W
 Voltage: 220-240 V
 Frequency: 50; 60 Hz
 Energy input: Electric
 Plug type:No plug (electrical connection by electrician)
 Appliance Dimensions (h x w x d) (in): x x
 Dimensions of the packed product: 4.96 x 23.74 x 42.26
 Net weight:41.000 lbs
 Gross weight: 50.000 lbs
 Total number of positions that can be used at the same time: 5
 Length electrical supply cord: 110.0 cm
 Min. required niche size for installation (HxWxD):51 x 880-880 x 490-500 mm
 Dimensions: 51 x 916 x 527 mm
 Dimensions of the packed product (HxWxD): ... 126 x 1073 x 603 mm
 Net weight: 18.8 kg
 Gross weight: 22.5 kg



**Series 8, Induction hob, 90 cm,
Black,
PIV975DC1E**

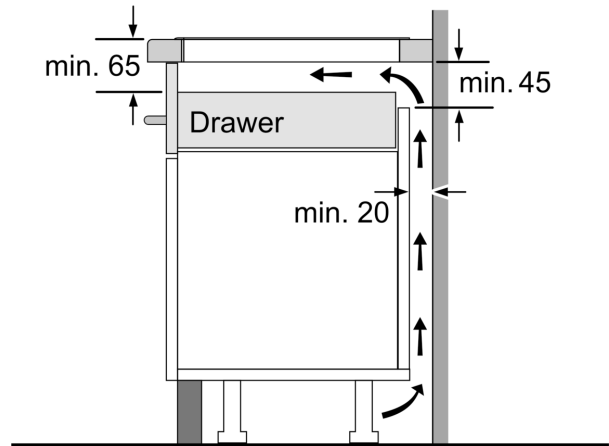
measurements in mm



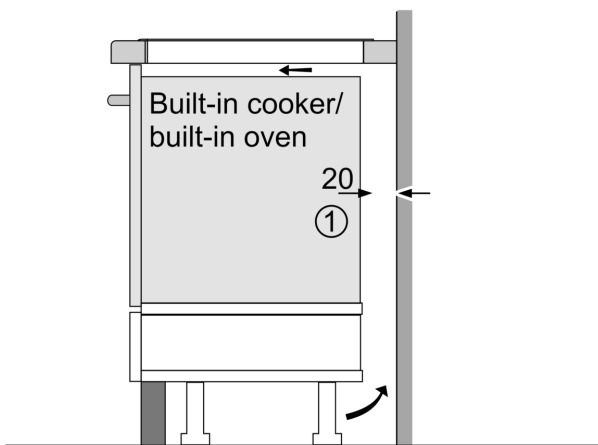
- A: Minimum distance from the hob cut-out to the wall.
- B: Recessed depth
- C: The clearance between the surface of the worktop and the top of the front of the oven must be 30 mm. See space requirements for the oven.

The worktop into which the hob is installed must withstand loads of approx. 60 kg; suitable substructures must be used if required.

D	E	F
585-600	50	≥ 35
> 600	≥ 50	≥ 50



Measurements in mm



①
Ventilation gap must be present.

Measurements in mm

