

**Serie | 2, Gas hob, 60 cm, Stainless steel
PBP6C5B60Q**



Included accessories

1 x cross support for espresso

**The gas hob with side-mounted controls:
the desired cooking zones can be
conveniently operated from the side.**

- Low profile stainless steel cooking surface is easily accessible and quick to clean.
- **Biomethane ready:** Your gas hob can also be powered with renewable biomethane gas.

Technical data

Product name/family : gas hob w integrated controls
 Total number of positions that can be used at the same time : 4
 Type of control setting devices : sword knobs
 Required niche size for installation (HxWxD) : 43 x 560-560 x 480-490 mm
 : 580 mm
 Dimensions : 54 x 580 x 510 mm
 Dimensions of the packed product (HxWxD) : 150 x 570 x 610 mm
 Net weight : 7.0 kg
 Gross weight : 7.8 kg
 Residual heat indicator : without
 Basic surface material : Stainless steel
 Color of surface : Stainless steel
 Length electrical supply cord : 100 cm
 Knob Material : Plastic
 Sealed Burners : No
 Power of heating element (kW) : 3 kW
 Power of 3rd heating element (kW) : 1.7 kW
 Power of 5th heating element (kW) : 1.7 kW
 : 1 W
 Gas connection rating : 7400 W
 Fuse protection : 3 A
 Voltage : 220-240 V
 Frequency : 60; 50 Hz
 : Stainless steel
 Gas type : Nat gas H/E/(L) 20 (25) mbar
 Alternative gas type : Liquid gas G30,31 28-30/37mbar
 Plug type : GARDY plug w/ earthing
 Appliance Dimensions (h x w x d) (in) : + x x
 Dimensions of the packed product : 5.90 x 24.01 x 22.44
 Net weight : 16.000 lbs
 Gross weight : 17.000 lbs
 Total number of positions that can be used at the same time : 4
 Length electrical supply cord : 100 cm
 Required niche size for installation (HxWxD) : 43 x 560-560 x 480-490 mm
 Dimensions : 54 x 580 x 510 mm
 Dimensions of the packed product (HxWxD) : 150 x 570 x 610 mm
 Net weight : 7.0 kg
 Gross weight : 7.8 kg

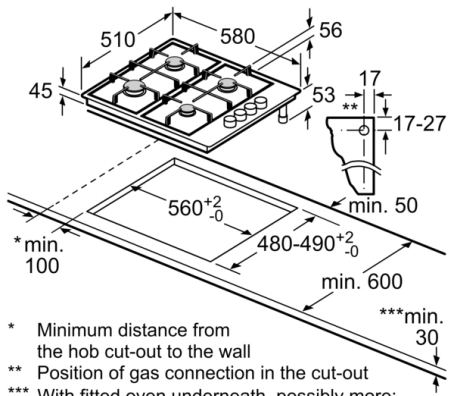


Serie | 2, Gas hob, 60 cm, Stainless steel PBP6C5B60Q

The gas hob with side-mounted controls: the desired cooking zones can be conveniently operated from the side.

- 4 gas burners
- 1 rapid, 2 standard, 1 economy burner
- Front left: Rapid burner 3 KW
- Rear left: Standard burner 1.7 KW
- Rear right: Standard burner 1.7 KW
- Front right: Economy burner 1 KW
- Ignition via control knob
- Flame failure safety device
- Cast iron finish w rubber feet
- Connecting cable 1 m with plug
- Preset of natural gas (20mbar)
- Liquid gas nozzles (28-30/37mbar) included

**Serie | 2, Gas hob, 60 cm, Stainless steel
PBP6C5B60Q**



- * Minimum distance from the hob cut-out to the wall
 - ** Position of gas connection in the cut-out
 - *** With fitted oven underneath, possibly more; see space requirements for the oven
- measurements in mm