

**Serie | 8, Built-in oven with microwave function, 60 x 60 cm  
HMG636BS1**



**Included accessories**

1 x enamel baking tray  
1 x combination grid  
1 x universal pan

**The built-in oven with microwave function:  
you get delicious baked and roasted foods  
in a very short time.**

- **Microwave function:** for quick warming up or for fast cooking in combination with hot air.
- **4D Hot Air:** even heat distribution for perfect results – on any level.
- **TFT touchscreen control:** easy-to-use thanks to the control ring with full text and images.
- **EcoClean Direct:** almost no cleaning is necessary thanks to a special coating of the rear wall that automatically absorbs grime.
- **Flap door with SoftOpen and SoftClose:** the oven door opens and closes especially gently and quietly.

**Technical data**

Type of control : Electronic

Cavity dimensions : 357.0 x 480 x 392.0 mm

Length electrical supply cord : 120 cm

Net weight : 42.2 kg

Gross weight : 44.6 kg

Approval certificates : CE, VDE

: 800 W

Number of Power Levels : 5

Turntable : No

Cavity material : Enamelled steel

Door opening : Handle

Clock : Yes

Included accessories : 1 x enamel baking tray, 1 x combination grid, 1 x universal pan

: 595 mm

: 594 mm

: 548 mm

: 800 W

: 3600 W

Fuse protection : 16 A

Voltage : 220-240 V

Frequency : 60; 50 Hz

Plug type : GARDY plug w/ earthing

Approval certificates : CE, VDE

Appliance Dimensions (h x w x d) (in) : x x

Dimensions of the packed product : 26.37 x 26.37 x 26.77

Net weight : 93.000 lbs

Gross weight : 98.000 lbs



## Serie | 8, Built-in oven with microwave function, 60 x 60 cm HMG636BS1

**The built-in oven with microwave function:  
you get delicious baked and roasted foods in  
a very short time.**

### Type of oven / heating system:

- Intelligent inverter technology: maximum output power will be regulated to 600 W when used in longer operation
- Oven with microwave with 9 heating methods:  
4D hot air, Hotair Eco., Conventional heat, Conventional heat ECO, Hot air grilling, Full width grill, Half width grill, Pizza setting, Bottom heat
- Additional heating methods with microwave: Microwave, Combi microwave variable
- Cavity volume: 67 l
- Temperature range 30 °C - 300 °C

### Design:

- Rotary swivel
- Bar handle

### Cleaning:

- Ecolyse features: back panel, ceiling, side liners

### Comfort:

- Supporting systems: Programs
- Electronic clock
- Rapid heating-up
- Interior lighting
- Temperature proposal  
Actual temperature display  
heating-up control  
Sabbath setting

### Hook-in racks / rails

- Number of shelf levels: 5 PC

### Accessory:

- 1 x universal pan, 1 x enamel baking tray, 1 x combination grid

### Environment and Safety:

- Maximum window temperature 40° C
- Child lock  
Automatic switch off  
Start-/Stop button  
Door contact switch
- Integral cooling fan

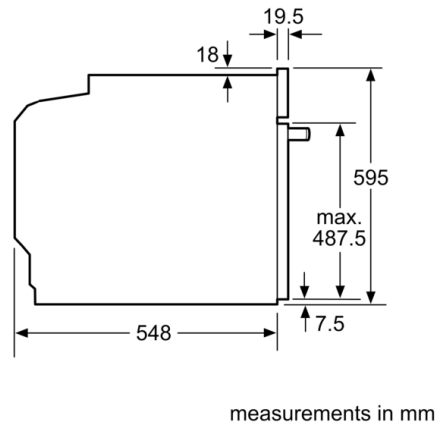
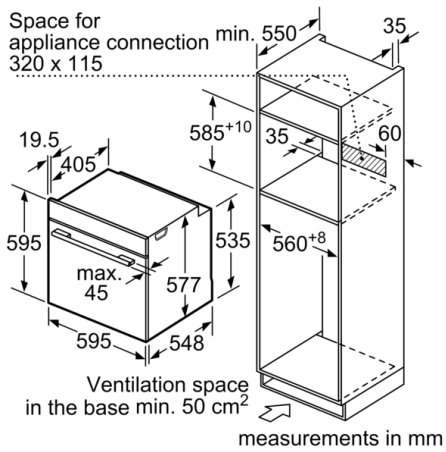
### Technical Info:

- Length of mains cable: 120 cm
- Nominal voltage: 220 - 240 V
- Total connected load electric: 3.6 KW

### Dimensions:

- Appliance dimension (H x W x D): 595 mm x 594 mm x 548 mm
- Niche dimension (hxwxd): 560 mm - 568 mm x 450 mm - 455 mm x 550 mm
- "Please reference the built-in dimensions provided in the installation drawing"

**Serie | 8, Built-in oven with microwave function, 60 x 60 cm  
HMG636BS1**



If the appliance will be installed underneath a hob, the following worktop thicknesses (including substructure if necessary) must be taken into account.

Hob type	min. worktop thickness	
	fitted	flush
Induction hob	37 mm	38 mm
Full surface Induction hob	47 mm	48 mm
Gas hob	30 mm	38 mm
Electric hob	27 mm	30 mm

