

**Serie | 4, , 90 cm, clear glass black printed
DWK97HM60**



Inclined hood: optimal for keeping an eye on your pots and pans.

- **Especially silent:** maximal extractor performance with minimal noise
- **Easy-to-clean interior:** hidden screws and cables along with rounded edges make cleaning easy.
- **TouchSelect control:** quick touch-control selection of desired settings and light.
- **LED-Illumination:** The energy-saving lighting provides white and good lighting for the hob area.
- **Intensive speed setting:** removes strong kitchen odours especially quickly and effectively.

Technical data

Typology :	Chimney
Approval certificates :	CE, Eurasian, Morocco, Ukraine, VDE
Length electrical supply cord (cm) :	130
Height of product, without chimney (mm) :	323
Net weight (kg) :	22.254
Type of control :	Electronic
:	416
Boost position output recirculating (m ³ /h) :	615.0
:	409
Boost position air extraction (m ³ /h) :	700
Number of lights :	2
:	58
Diameter of air outlet (mm) :	120 / 150
Grease filter material :	Washable aluminium
Odour filter :	No
Optional accessories :	DWZ0AK0A0, DWZ0AK0R0, DWZ0AK0S0, DWZ0AK0T0, DWZ0AK0U0, DWZ1AX5C6, DWZ0AX5K0, DWZ0AX5L0, DWZ1AK1B6, DWZ1AK1I6, DWZ1AK1V6, DWZ1AX6E1, DZZ0XX0P0, DZZ1XX1B6, HEZG9AS00S
Type of lamps used :	LED
Grease filter type :	Kassette
:	263
Current (A) :	10
Voltage (V) :	220-240
Frequency (Hz) :	50; 60
Plug type :	Gardy plug w/ earthing
Installation typology :	Wall-mounted
Material body :	Glass, Lacquered
Approval certificates :	CE, Eurasian, Morocco, Ukraine, VDE
Plug type :	Gardy plug w/ earthing
Dimensions of the product, with chimney (if exists) (in) :	/ x x
Dimensions of the packed product (in) :	27.16 x 29.13 x 40.94
Net weight (lbs) :	49.000
Gross weight (lbs) :	67.000
Motor location :	Integrated motor in hood body
No-return airflow flap :	Yes
Length electrical supply cord (cm) :	130
Dimensions of the product, with chimney (if exists) (mm) :	453 x 890.0 x 499.0
Dimensions of the packed product (HxWxD) (mm) :	690 x 740 x 1040
Net weight (kg) :	22.254
Gross weight (kg) :	30.6



4 242002 946771

Serie | 4, , 90 cm, clear glass black printed DWK97HM60

Inclined hood: optimal for keeping an eye on your pots and pans.

Variant:

Design:

- Chimney hood
- Wall mounted hood
- Inclined design
- black with glass canopy
- Glass plate: clear glass black printed
- 2 capture areas: front side and bottom side

Environment and safety:

- Energy Efficiency Class: B*
- Average Energy Consumption: 56.6 kWh/year*
- Blower Efficiency Class: B*
- Lighting Efficiency Class: B*
- Grease Filtering Efficiency Class: C*

Comfort:

- Wall fixing inclined/flat/cube
- TouchControl for extractor speeds and light
- Electronic controls
- TouchControl with Electronic display
- 3 speeds plus intensive setting via TouchControl
- Electronic controls via TouchControl with Electronic display
- TouchControl (3 speeds plus intensive setting) with Electronic display
- easy to clean Innerframe
- RimVentilation

Operating and power:

- 3 speeds plus intensive setting
- Noise min./max. Normal Level: 48/58 dB*
- Max. extraction rate: 700 m³/h

Power:

- Power rating: 263 W
- Twin channel high performance fan motor
- Capacitor energy efficient
- Light Intensity: 90 lux

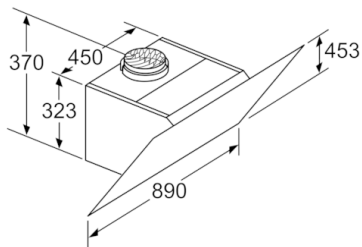
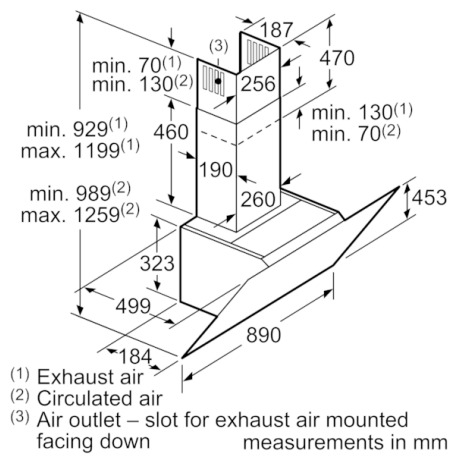
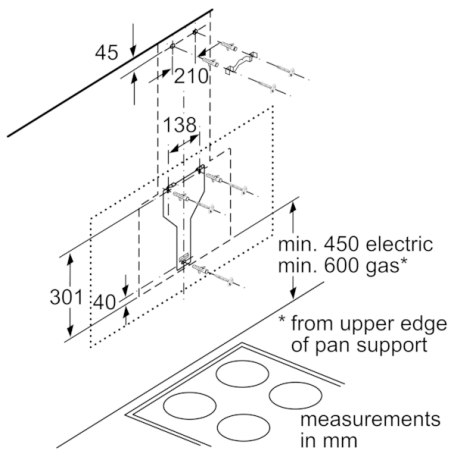
Measures:

- 90 cm
- Diameter pipe Ø 150 mm (Ø 120 mm enclosed)
- Dimensions recirculating with CleanAir module (HxWxD):
1119 x 890 x 499 mm - mounting with outer chimney
1189-1459 x 890 x 499 mm - mounting with telescopic chimney
- Dimensions recirculating, chimney (HxWxD): 989-1259 x 890 x 499 mm
- Dimensions recirculating, chimneyless (HxWxD): 453 mm x 890 x 499 mm

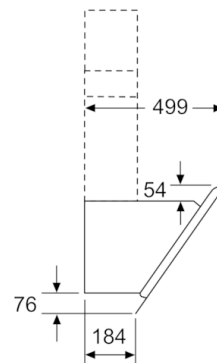
Technical information:

- 2 x 1,5W LED
- Suitable for ducted or re-circulated extraction
- In recirculation operation chimneyless use possible
- For recirculated extraction a recirculating kit or a CleanAir recirculation kit (accessory) is needed
- Colour Temperature: 3500 K
- Metal grease filter, dishwasher safe
- Extraction rate according to EN 61591 ø 15 cm:
max. Normal use 416 m³/h
Intensive 700 m³/h
- Extraction rate exhaust air according to EN 61591:
max. normal use 416 m³/h, intensive 700 m³/h
- Noise level according to EN 60704-3 und EN 60704-2-13 at
max. normal use exhaust air: 58 dB(A) re 1 pW (45 dB(A) re
20 µPa sound pressure)
- Noise level according to EN 60704-3 und EN 60704-2-13
exhaust air:
Max. normal use: 58 dB(A) re 1 pW (45 dB(A) re 20 µPa sound
pressure)
Intensive: 67 dB(A) re 1 pW (54 dB(A) re 20 µPa sound
pressure)
- Extraction rate in recirculation mode:
Max. normal use: 409 m³/h
Intensive: 615 m³/h

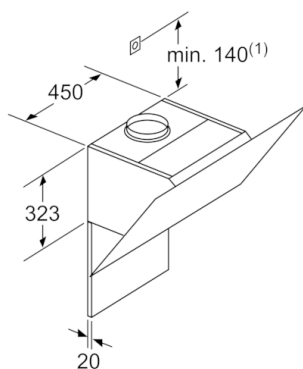
**Serie | 4 , , 90 cm, clear glass black printed
DWK97HM60**



Appliance in circulated air mode
without duct
Circulated air set required
measurements in mm



measurements in mm



(1) Position of socket

Note the maximum thickness of the back panel.
measurements in mm

