

**Series 8, wall-mounted cooker hood,
90 cm, clear glass black printed
DWF97RU60**



DZZ1XX1B6	Clean Air Plus odor filter (replacement)
HEZG9AS00S	Adapter
DWZ1AF1I6	Clean Air Plus recirculation kit
DWZ1AF1V6	Clean Air Plus recirc. kit (chimless)
DWZ1AX5C6	Clean Air Plus recirc. kit external
DWZ1AX6E1	Chimney standard black
DZZ0XX0P0	Long Life odor filter (replacement)
DWZ0AF0R0	Long Life recirculation kit (chimless)
DWZ0AF0S0	Long Life recirculation kit
DWZ0AX5K0	Chimney extension 1000 mm
DWZ0AX5L0	Chimney extension 1500 mm
DWZ1AF1B6	Clean Air Plus odor filter (replacement)

**Flat design hood: always keep an eye on
your pots and pans with this design
highlight.**

- **Especially silent:** maximal extractor performance with minimal noise
- **Easy-to-clean interior:** hidden screws and cables along with rounded edges make cleaning easy.

Typology:Wall-mounted
 Length electrical supply cord: 130.0 cm
 Height of product, without chimney: 430 mm
 Net weight:25.2 kg
 Type of control:Electronic
 Number of speed settings:3-stage + 2 intensive
 Max. air extraction:394 m³/h
 Boost position output recirculating:404 m³/h
 Max. air recirculation: 249 m³/h
 Boost position air extraction: 717 m³/h
 Number of lights: 2
 Noise level:57 dB(A) re 1 pW
 Diameter of air outlet: 120 / 150 mm
 Grease filter material:Washable aluminium
 Odour filter: No
 Optional accessories: DZZ1XX1B6, HEZG9AS00S, DWZ1AF1I6,
 DWZ1AF1V6, DWZ1AX5C6, DWZ1AX6E1, DZZ0XX0P0, DWZ0AF0R0,
 DWZ0AF0S0, DWZ0AX5K0, DWZ0AX5L0, DWZ1AF1B6
 Type of lamps used: LED
 Grease filter type:Kassette
 Connection rating: 146 W
 Fuse protection:10 A
 Voltage: 220-240 V
 Frequency: 50; 60 Hz
 Plug type: Gardy plug w/ earthing
 Installation typology:Wall-mounted
 Material body:Glass, Lacquered
 Plug type: Gardy plug w/ earthing
 Dimensions of the product, with chimney (if exists) (in):x x
 Dimensions of the packed product: 21.25 x 29.13 x 40.94
 Net weight:56.000 lbs
 Gross weight: 72.000 lbs
 Motor location: Integrated motor in hood body
 No-return airflow flap: Yes
 Length electrical supply cord: 130.0 cm
 Dimensions of the product, with chimney (if exists):550 x 890.0 x
 263.0 mm
 Dimensions of the packed product (HxWxD): ... 540 x 740 x 1040 mm
 Net weight:25.2 kg
 Gross weight: 32.5 kg
 Delay Shut off modes: 1-99 min



Series 8, wall-mounted cooker hood, 90 cm, clear glass black printed DWF97RU60

**Flat design hood: always keep an eye on
your pots and pans with this design
highlight.**

Design:

- Chimney hood
- Flat brand design
- Appliance colour: black
- Glass plate: clear glass black printed
- 2 capture areas: front side and bottom side
- Suitable for ducted or re-circulated extraction

Environment and safety:

- Energy Efficiency Class: B*
- Average Energy Consumption: 40 kWh/year*
- Blower Efficiency Class: B*
- Lighting Efficiency Class: A*
- Grease Filtering Efficiency Class: B*
- Noise min./max. Normal Level: 43/57 dB*

Comfort:

- Wall fixing inclined/flat/cube
- 7-segment display with control ring
- TouchControl for extractor speeds and light
- Electronic controls via TouchControl with Electronic display
- TouchControl, Rotary swivel (3 speeds plus 2 intensive) with Electronic display, 2x7-segment
- 3 speeds plus 2 intensive
- easy to clean Innerframe
- RimVentilation
- Filter cover glass
- Light dimmer function
- SoftLight
- Saturation indicator for metal and charcoal filter
- Metal grease filter, dishwasher safe

Operating and power:

- Automatic revert setting, 6 minutes
- Max. extraction rate: 717 m³/h

Power:

- Power rating: 146 W
- BLDC for Ventilation
- 2 single inlet vertical, BLDC for Ventilation
- Twin channel high performance fan motor
- Light Intensity: 589 lux

Measures:

- 90 cm
- Diameter pipe Ø 150 mm (Ø 120 mm enclosed)
- Dimensions recirculating, chimney (HxWxD): 1079-1349 x 890 x 263 mm
- Dimensions recirculating with CleanAir module (HxWxD):
- 1209 x 890 x 263mm - mounting with outer chimney

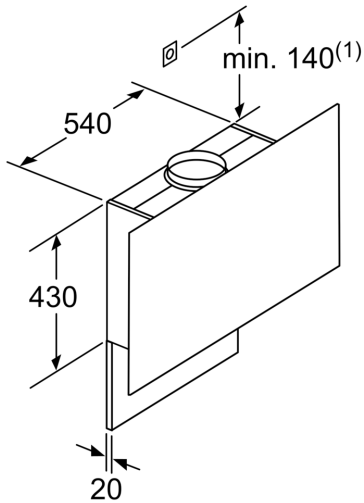
- 1279-1549 x 890 x 263 mm - mounting with telescopic chimney
- Dimensions recirculating, chimneyless (HxWxD): 550 mm x 890 x 263mm

Technical information:

- Operation with gas cooktop not allowed
- 2 x 3W LED
- In recirculation operation chimneyless use possible
- For recirculated extraction a recirculating kit or a CleanAir recirculation kit (accessory) is needed
- Extraction rate according to EN 61591 Ø 15 cm:
- max. Normal use 394 m³/h
- Intensive 717 m³/h
- Extraction rate exhaust air according to EN 61591:
- max. normal use 394 m³/h, intensive 717 m³/h
- Noise level according to EN 60704-3 und EN 60704-2-13 at max. normal use exhaust air: 57 dB(A) re 1 pW (44 dB(A) re 20 µPa sound pressure)
- Noise level according to EN 60704-3 und EN 60704-2-13 exhaust air:
- Max. normal use: 57 dB(A) re 1 pW (44 dB(A) re 20 µPa sound pressure)
- Intensive: 70 dB(A) re 1 pW (57 dB(A) re 20 µPa sound pressure)
- Colour Temperature: 3500 K

* In accordance with the EU-Regulation No 65/2014

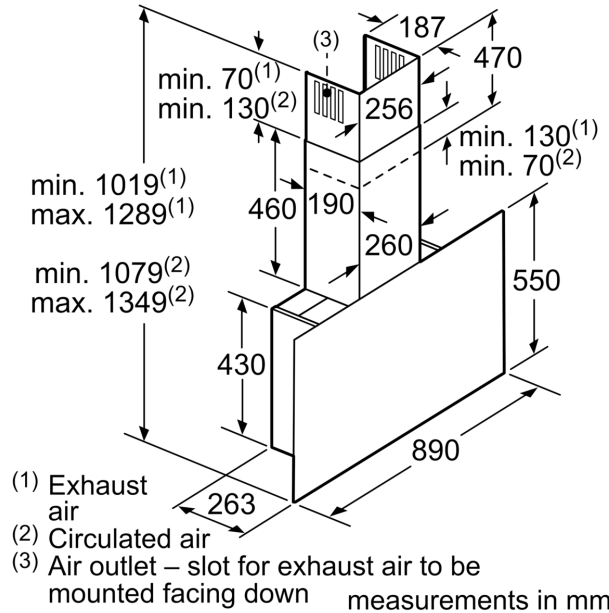
**Series 8, wall-mounted cooker hood,
90 cm, clear glass black printed
DWF97RU60**



(1) Position of socket

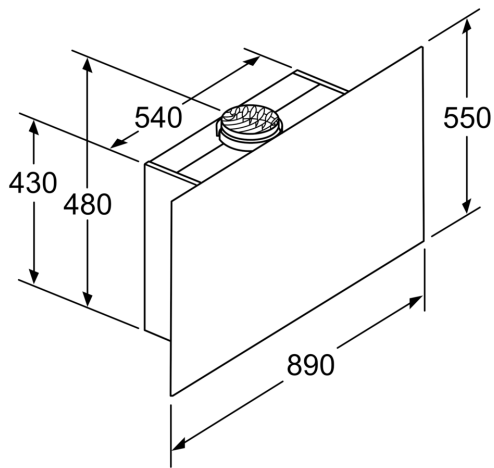
Note the maximum thickness of the back panel.

measurements in mm



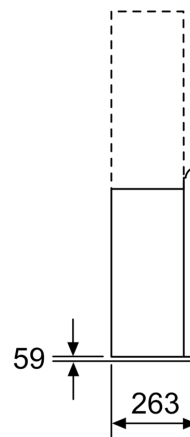
(1) Exhaust air
(2) Circulated air
(3) Air outlet – slot for exhaust air to be mounted facing down

measurements in mm



Appliance in circulated air mode
without duct
Circulated air set required

measurements in mm



measurements in mm

