

**Series 2, telescopic cooker hood, 60 cm, White  
DFT63CA20Q**



DHZ2900 Active carbon filter  
DWZ11X1G9 Wall bracket

**The telescopic cooker hood: practically disappears into your upper cabinet, giving you a sleek kitchen front.**

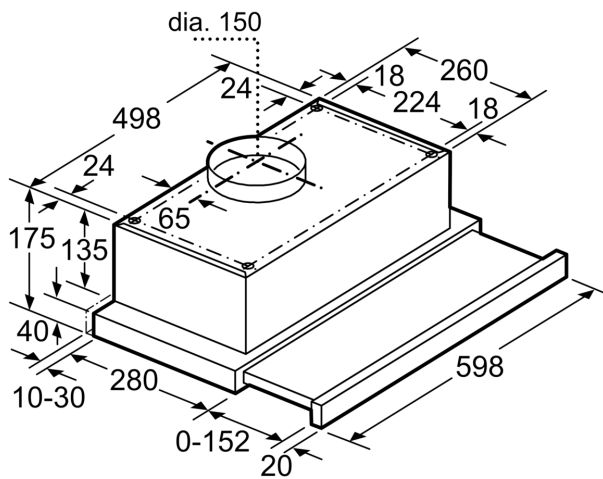
- **Silent:** maximal extractor performance with little noise
- **Metal Grease Filter:** cleans the air, captures grease, easy monthly clean-up.
- **3-Speed Power Level Options To Suit Your Cooking Style And Recipes**

Typology: ..... Pull-out  
 Length electrical supply cord: ..... 130.0 cm  
 Min. required niche size for installation (HxWxD): 135mm x 598.0mm x 264mm mm  
 Net weight: .....6.8 kg  
 Type of control: .....mechanical  
 Number of speed settings: ..... 3  
 Max. air extraction: .....300 m<sup>3</sup>/h  
 Max. air recirculation: ..... 220 m<sup>3</sup>/h  
 Number of lights: ..... 2  
 Noise level: .....62 dB(A) re 1 pW  
 Diameter of air outlet: ..... 150 mm  
 Grease filter material: .....Washable aluminium  
 Odour filter: ..... No  
 Optional accessories: ..... DHZ2900, DWZ11X1G9  
 Total power of the lamps: ..... 8 W  
 Grease filter type: .....Kassette  
 Connection rating: ..... 181 W  
 Voltage: ..... 220-240 V  
 Frequency: ..... 50 Hz  
 Plug type: ..... Gardy plug w/ earthing  
 Installation typology: ..... Built-in  
 Material body: ..... Lacquered  
 Plug type: ..... Gardy plug w/ earthing  
 Dimensions of the product, with chimney (if exists) (in): .....x x  
 Dimensions of the packed product: ..... 13.77 x 25.59 x 9.84  
 Net weight: ..... 15.000 lbs  
 Gross weight: ..... 17.000 lbs  
 Motor location: ..... Integrated motor in hood body  
 No-return airflow flap: ..... No  
 Length electrical supply cord: ..... 130.0 cm  
 Dimensions of the product, with chimney (if exists): .... 175 x 600.0 x 280.0 mm  
 Dimensions of the packed product (HxWxD): ..... 350 x 650 x 250 mm  
 Net weight: .....6.8 kg  
 Gross weight: ..... 7.6 kg



**Series 2, telescopic cooker hood, 60  
cm, White  
DFT63CA20Q**

---



measurements in mm