

**Series 6, Built-In Microwave,
Stainless steel
BFL524MS0**



- **AutoPilot 7:** every dish is a perfect success thanks to 7 pre-set automatic programmes.

1 x Turntable

HEZ86D000 Steamer Cooker Accessory for Microwave
HEZG9AS00S Adapter

Additional function: Microwave only
 Type of control: Electronic
 Dimensions: 382 x 594 x 317 mm
 Cavity dimensions: 201.0 x 308.0 x 282.0 mm
 Length electrical supply cord: 130.0 cm
 Net weight: 16.5 kg
 Gross weight: 18.8 kg
 Max. microwave power level: 800 W
 Number of Power Levels: 5
 Turntable: Yes
 Cavity material: Stainless steel
 Door opening: Button
 Clock: Yes
 Included accessories: 1 x Turntable
 Height of the appliance: 382 mm
 Width of the appliance: 594 mm
 Depth of the product: 317 mm
 Max. microwave power level: 800 W
 Connection rating: 1270 W
 Fuse protection: 10 A
 Voltage: 220-230 V
 Frequency: 50 Hz
 Plug type: GARDY plug w/ earthing
 Required cutout/niche size for installation (in): X
 Dimensions of the packed product: 17.32 x 14.96 x 25.59
 Net weight: 36.000 lbs
 Gross weight: 41.000 lbs



Series 6, Built-In Microwave, Stainless steel BFL524MS0

Microwave and heating mode:

- Max. Power: 800 W; 5 Microwave power settings: 90 W, 180 W, 360 W, 600 W, 800 W
- Cavity volume: 20 l

Design:

- stainless steel cavity

Comfort:

- Rotary Control, Pop-out controls, Touch control
- Touch key operation
- LED display control
- electronic clock
- User-friendly electronics: extremely
- easy and comfortable operation
- cookControl, 7
- 4 defrost and 3 cooking programmes in microwave function
- memory function (1 setting)
- Interior lighting
- Glass tray diameter: 25.5 cm
- Bottom, Oven door with SoftClose, Soft opening

Accessory:

- 1 x Turntable

Environment and Safety:

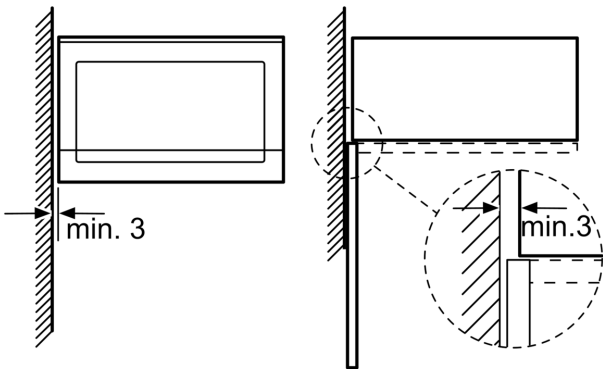
- Child lock
- Automatic switch off Start-/Stop button Door contact switch
- Integral cooling fan
- Length of mains cable: 130 cm
- Total connected load electric: 1.27 KW
- Nominal voltage: 220 - 230 V
- Tall housing, Can be built in a 60 cm wall cupboard (at least 30cm deep)

Dimensions:

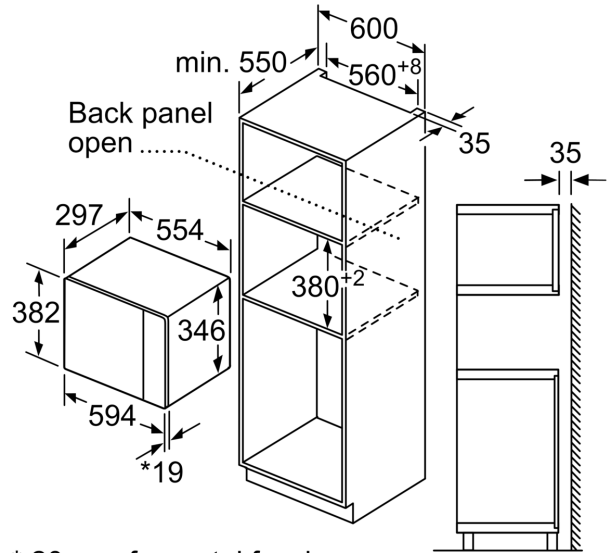
- Appliance dimension (H x W x D): 382 mm x 594 mm x 317 mm
- Niche dimension (hxwxh): 560 mm - 568 mm x 450 mm - 455 mm x 550 mm
- "Please reference the built-in dimensions provided in the installation drawing"

**Series 6, Built-In Microwave,
Stainless steel
BFL524MS0**

Microwave,
corner installation



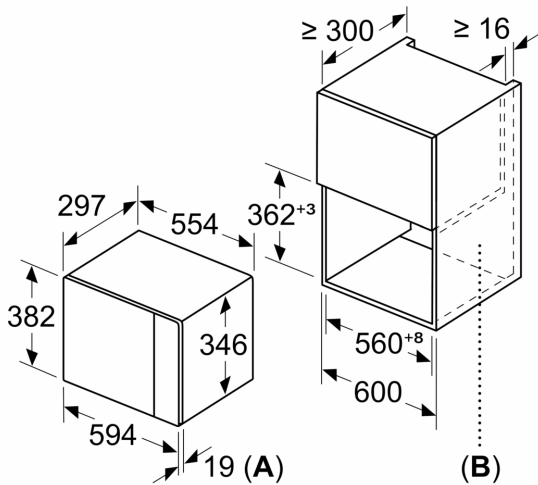
Measurements in mm



* 20 mm for metal fascia

measurements in mm

Measurements in mm



A: 20 mm for metal fascia
B: Back panel open

