

**Series 6, Heat pump dryer, 8 kg
WTW876H8SG**



**Energy efficient, perfect drying results
made even more convenient with smart
connectivity via Home Connect**

- **Home Connect:** home appliances with smart connectivity for an easier everyday life.
- **AutoDry:** gently dries laundry to precisely the degree of dryness you want.
- **AllergyPlus:** specially developed for the needs of allergy sufferers and sensitive skin.
- Anti-Vibration Side Panels reduce vibrations and ensure greater stability during the washing and spinning process.
- Automatic condenser cleaning guarantees a high drying performance with constantly low energy consumption of A++.

Technical Data

Built-in / Free-standing : Free-standing
 Removable top : No
 Door hinge : Right
 Color / Material body : White
 Length electrical supply cord : 145.0 cm
 Height of removable worktop : 0 mm
 Dimensions : 842 x 598 x 613 mm
 Net weight : 54.0 kg
 Drum volume : 112 l
 Fluorinated greenhouse gases : No
 Type of refrigerant : R290
 Hermetically sealed equipment : Yes
 The quantity expressed in CO2 equivalent : 0.000 t
 Connection Rating : 800 W
 Fuse protection : 10 A
 Voltage : 220-240 V
 Frequency : 50 Hz
 Drying process : automatic
 Capacity cotton - NEW (2010/30/EC) : 8.0 kg
 Energy efficiency class (2010/30/EC) : A++
 Energy consumption electric dryer, full load - NEW (2010/30/EC) :
 1.74 kWh
 Standard cotton programme time at full load : 144 min
 Energy consumption electric dryer, partial load - NEW (2010/30/EC) :
 1.02 kWh
 Standard cotton programme time at partial load : 94 min
 Weighted annual energy consumption, electric dryer - NEW (2010/30/EC) :
 214.0 kWh/annum
 Power consumption in off-mode - NEW (2010/30/EC) : 0.10 W
 Power consumption in left-on mode - NEW (2010/30/EC) : 0.10 W
 Duration of the left-on mode - NEW (2012/30/EC) : 30 min
 Weighted programme time : 115 min
 Condensation efficiency class - NEW (2010/30/EC) : A
 Average condensation efficiency full load (%) : 91 %
 Average condensation efficiency partial load (%) : 91 %
 Weighted condensation efficiency for the standard cotton programme
 at full and partial load : 91 %



Series 6, Heat pump dryer, 8 kg WTW876H8SG

Energy efficient, perfect drying results made even more convenient with smart connectivity via Home Connect

Technical Information

- Capacity: 8 kgkg
- Dimensions (H x W x D): 84.2 cm x 59.8 cm x 61.3 cm
- 39 cm porthole, 170° swing door
- Operating noise for drying: 65 dB

Programmes

- Cottons, Synthetics, Daily Wash, Delicates, Wool finish, Timed Program Cold, Timed Program Warm, AllergyPlus, Super Quick 40', Towels, Sportswear., Down Wear, Duvet, Shirts/Blouses

Features

- Home Connect: Smart connectivity provides remote monitoring and control for greater convenience
- SelfCleaning Condenser automatically cleans itself and keeps the dryer running at peak efficiency at all times
- Sensitive Drying system combines warm air currents and a gentle drum structure for dry clothes
- Fine-adjustment of drying intensity to customise your preferred level of dryness
- Anti-crease cycle 120 min at the end of programme
- Touch Control buttons: Low heat, less ironing, programme length, start/pause, fine-tuning of drying aim, 24h end time delay
- Duo-Tronic Sensors monitors moisture levels and temperature to reach desired levels of dryness and to prevent overheating

Display Screen & Alerts

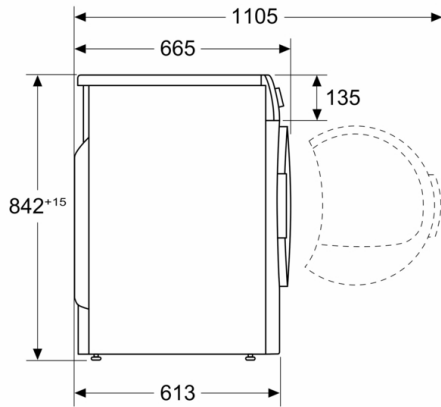
- LED Display for remaining time and 24 Hr end time delay, programme status indication, special functions
- Buzzer at the end of the wash programme

Safety

- Child-proof lock

**Series 6, Heat pump dryer, 8 kg
WTW876H8SG**

Measurements in mm



Measurements in mm

