

Series 4, Front Load Washing Machine, 9 kg, 1400 rpm WGA14400SG



- Reduces wrinkles by up to 50%
- The SpeedPerfect™ option washes in a shorter time with the cleaning results of the standard program.
- EcoSilence Drive™: extremely energy-efficient and quiet in operation with an especially long life.
- AllergyPlus: specially developed for the needs of allergy sufferers and sensitive skin.
- SpeedPerfect: perfectly clean in up to 65% less time.

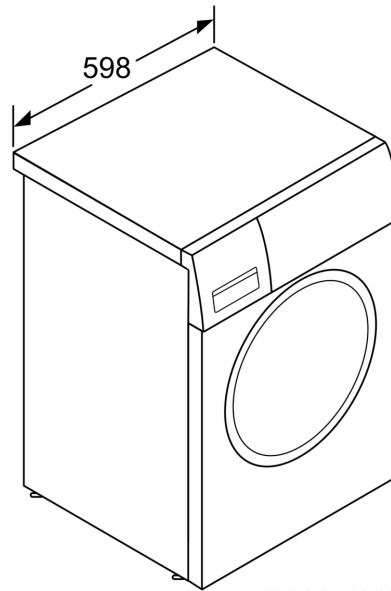
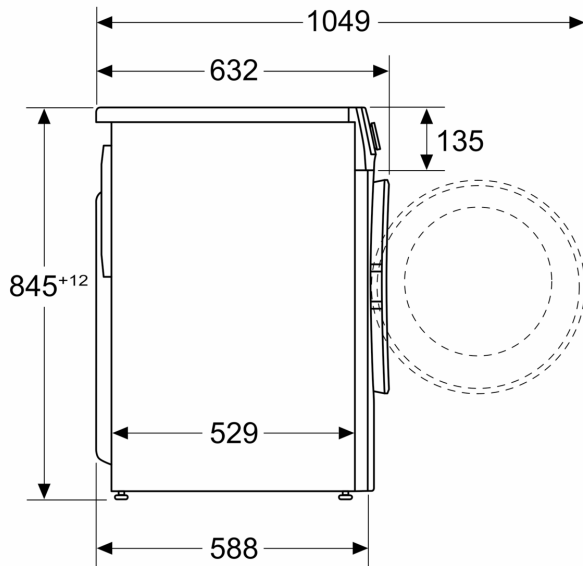
Built-in / Free-standing:	Free-standing
Door hinge:	Left
Color / Material body:	White
Length electrical supply cord:	160.0 cm
Height of the appliance:	845 mm
Dimensions of the product:	845 x 597 x 588 mm
Wheels:	No
Net weight:	71.0 kg
Drum volume:	65 l
Door Frame:	Silver-inox, black-grey
Noise level washing:	55 dB(A) re 1 pW
Connection rating:	2300 W
Fuse protection:	10 A
Voltage:	220-240 V
Frequency:	50 Hz
Energy Star Qualified:	No
Cord included:	Yes
Plug type:	GB plug
Length of supply hose (in):	59.05 "
Dimensions of the packed product:	34.64 x 25.19 x 26.77
Net weight:	157.000 lbs
Gross weight:	158.000 lbs
Length of drain hose:	150.00 cm
Length of supply hose:	150.00 cm
Dimensions of the packed product (HxWxD):	880 x 640 x 680 mm
Gross weight:	71.8 kg
Connection rating:	2300 W
Fuse protection:	10 A
Voltage:	220-240 V
Frequency:	50 Hz
Energy consumption:	0.62 kWh
Water consumption:	44.0 l
Water protection system:	Multiple water protection system
Maximum spin speed:	1400 rpm
Spin speed options:	Variable
Digital countdown indicator:	Yes
Progress indicator:	LED-display, LED
Maximum capacity in kg (EU 2017/1369):	9.0 kg

WMZ2200 Floor securing component
WMZ2381 Extension for cold water inlet /Aquastop



**Series 4, Front Load Washing
Machine, 9 kg, 1400 rpm
WGA14400SG**

Measurements in mm



measurements in mm