

## Series 2, Semi-integrated dishwasher, 45 cm, Stainless steel SPI2HKS59E



## Connected dishwasher with noise reduction at any time via the Home Connect App.

- **Home Connect:** home appliances with smart connectivity for an easier everyday life.
- **ExtraDry:** selectable option for additional drying.
- **Silence on demand:** up to 30 min noise reduction at any time via the Home Connect App.
- **Favourite function:** personalized function by just one touch even for downloaded programs.
- **7-Segment Display:** indicates remaining time and standard info, such as re-fill status.



SGZ0BI02	decorative strips stainless steel 81,5cm
SGZ1010	inlet and outlet hose extention
SGZ3003	Silver polishing cassette
SMZ1051EU	Mains cable with EU-Plug 5m
SMZ5000	Dishwashing aid set
SMZ5003	Retractable hinge f. high corpus dimens.
SMZ5300	GlassSecure Tray
SPZ2044	Door and plinth panel, stainless steel

Energy Efficiency Class (Regulation (EU) 2017/1369):	..... E
Energy Consumption for 100 cycles Eco Programme (EU 2017/1369):	.....70 kWh
Maximum number of place settings:	..... 9
The water consumption of the eco programme in liters per cycle (EU 2017/1369):	.....8.5 l
Programme duration (EU 2017/1369):	..... 3:40 h
Airborne acoustical noise emissions :	.....46 dB(A) re 1 pW
Airborne acoustical noise emission class (EU 2017/1369):	..... C
Cleaning performance:	.....A
Water consumption:	.....8.5 l
Total annual energy consumption 220 days:	..... 170 kWh
Total annual water consumption 220 days:	..... 1870 l
Built-in / Free-standing:	..... Built-in
Removable top:	..... No
Door panel options:	..... Not possible
Height of removable worktop:	..... 0 mm
Height of the appliance:	..... 815 mm
Adjustable feet:	..... Yes - all from front
Maximum adjustability feet:	..... 60 mm
Adjustable plinth:	..... Both horizontal and vertical
Net weight:	.....28.3 kg
Gross weight:	..... 30.1 kg
Connection rating:	..... 2400 W
Fuse protection:	.....10 A
Voltage:	..... 220-240 V
Frequency:	..... 50; 60 Hz
Length electrical supply cord:	..... 175.0 cm
Plug type:	..... Gardy plug w/ earthing
Length inlet hose:	..... 165 cm
Length outlet hose:	..... 205 cm
Hidden heating element:	..... Yes
Water protection system description:	..... Triple water protection 24h
Child safety devices:	..... Electr. lock panel
Water softener:	.....Yes
Top basket type:	..... R2
Adjustable upper basket:	..... Single
Bottom basket type:	..... R2
3rd Rack:	..... None
Optional accessories: ..SGZ0BI02, SGZ1010, SGZ3003, SMZ1051EU, SMZ5000, SMZ5003, SMZ5300, SPZ2044	
Included accessories 2:	.....steam protection
Number of place settings:	.....9
Color / Material panel:	..... Stainless steel
Color / Material body:	..... Lacquered
Dimensions of the product (HxWxD):	.....815 x 448 x 573 mm
Dimensions of the packed product (HxWxD):	..... 880 x 510 x 670 mm

## **Series 2, Semi-integrated dishwasher, 45 cm, Stainless steel SPI2HKS59E**

### **Connected dishwasher with noise reduction at any time via the Home Connect App.**

---

#### **Specifications**

- Capacity: 9 place settings
- Product dimensions (HxWxD): 81.5 x 44.8 x 57.3 cm
- Programme time in programme Eco 50 °C: 195 min
- Noise level: 42 dB(A) re 1 pW
- Noise level (silence programme): 40 dB(A) re 1 pW
- Home Connect enabled via WLAN

#### **Programmes**

- 6 programmes: Eco 50 °C, Auto 45-65° 45-65 °C, Intensive 70 °C, Express 65° 65 °C, Silence 50 °C, Favourite
- 3 special options: VarioSpeedPlus, Extra Dry, HygienePlus
- Favourite Program

#### **Features**

- Heat exchanger.
- AquaSensor, Load-Sensor
- DosageAssist
- Silence on Demand (via app)
- Machine Care
- Electronic delay timer: 1-24 hours
- BLDC Motor
- Panel legend: Plain text (english)
- DuoPower spray arms in top basket
- incl. Salt filling funnel
- Detergent Automation
- Remaining programme time indicator (min)
- Self-cleaning filter system with 3-fold corrugated filter
- Interior tub material: Stainless Steel
- Low friction wheels on bottom basket

#### **Racks and Baskets**

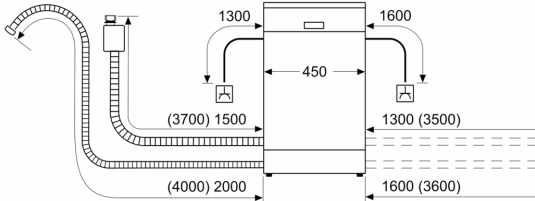
- 2 cup shelves in top basket
- Rackmatic height-adjustable top basket (3 stage)
- 8 FlexTines in bottom basket
- Cutlery rack in top basket
- Variable cutlery basket in bottom basket

#### **Safety**

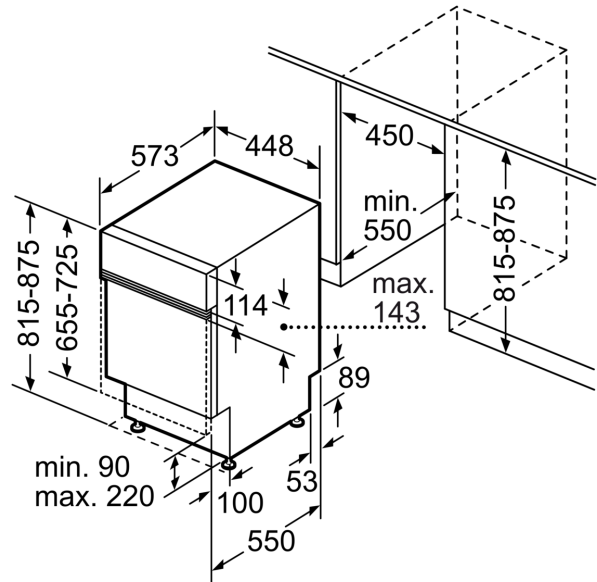
- AquaStop: Bosch warranty in case of water damage – for the lifetime of the appliance.\*
- Based on 280 standard cleaning cycles using cold water fill and the consumption of the low power modes.
- The consumption per cleaning cycle of the programme "Eco 50" using cold water fill
- \* Please find warranty terms under [<https://www2.bosch-home.com/vn/vi/experience-bosch/3yearsarranty>]
- Childproof control lock

**Series 2, Semi-integrated  
dishwasher, 45 cm, Stainless steel  
SPI2HKS59E**

measurements in mm



⌚ socket  
( ) values with extension kit



measurements in mm