

## Series 4, Fully-integrated dishwasher, 60 cm SMV4ECX14E



|           |                                          |
|-----------|------------------------------------------|
| SGZ0BI01  | decorative strips stainless steel 81,5cm |
| SGZ0IC00  | Small Item Clip for upper rack           |
| SGZ1010   | inlet and outlet hose extention          |
| SGZ8BI00  | Connection rail for divided furniture    |
| SMZ1051EU | Mains cable with EU-Plug 5m              |
| SMZ2056   | Attachment door, stainless steel         |
| SMZ5003   | Retractable hinge f. high corpus dimens. |
| SMZ5035   | Decor conversion kit, stainless steel    |
| SMZ5100   | Vario-cutlery basket                     |
| SMZ5300   | GlassSecure Tray                         |

## Better drying performance with the connected dishwasher for smart remote control.

- **EfficientDry:** improved drying performance by automatic door opening.
- **Flex baskets:** flexible and practical solution for easy loading.
- **VarioDrawer™** is an extra handy third loading level where cutlery, kitchen utensils and espresso cups can be perfectly separ
- **Silence Plus:** remarkably quiet at 44dB.
- **Home Connect:** home appliances with smart connectivity for an easier everyday life.

|                                                                                |                                                                                                     |
|--------------------------------------------------------------------------------|-----------------------------------------------------------------------------------------------------|
| Energy Efficiency Class (Regulation (EU) 2017/1369):                           | ..... C                                                                                             |
| Energy Consumption for 100 cycles Eco Programme (EU 2017/1369):                | .....74 kWh                                                                                         |
| Maximum number of place settings:                                              | ..... 13                                                                                            |
| The water consumption of the eco programme in liters per cycle (EU 2017/1369): | .....9.5 l                                                                                          |
| Programme duration (EU 2017/1369):                                             | ..... 4:35 h                                                                                        |
| Airborne acoustical noise emissions :                                          | .....44 dB(A) re 1 pW                                                                               |
| Airborne acoustical noise emission class (EU 2017/1369):                       | ..... B                                                                                             |
| Cleaning performance:                                                          | .....A                                                                                              |
| Water consumption:                                                             | .....9.5 l                                                                                          |
| Total annual energy consumption 220 days:                                      | ..... 180 kWh                                                                                       |
| Total annual water consumption 220 days:                                       | .....2090 l                                                                                         |
| Built-in / Free-standing:                                                      | ..... Built-in                                                                                      |
| Removable top:                                                                 | ..... No                                                                                            |
| Door panel options:                                                            | ..... Not possible                                                                                  |
| Height of removable worktop:                                                   | .....0 mm                                                                                           |
| Height of the appliance:                                                       | ..... 815 mm                                                                                        |
| Adjustable feet:                                                               | ..... Yes - all from front                                                                          |
| Maximum adjustability feet:                                                    | ..... 60 mm                                                                                         |
| Adjustable plinth:                                                             | ..... Both horizontal and vertical                                                                  |
| Net weight:                                                                    | .....37.1 kg                                                                                        |
| Gross weight:                                                                  | ..... 39.0 kg                                                                                       |
| Connection rating:                                                             | ..... 2400 W                                                                                        |
| Fuse protection:                                                               | .....10 A                                                                                           |
| Voltage:                                                                       | ..... 220-240 V                                                                                     |
| Frequency:                                                                     | ..... 50; 60 Hz                                                                                     |
| Length electrical supply cord:                                                 | ..... 175.0 cm                                                                                      |
| Plug type:                                                                     | ..... Gardy plug w/ earthing                                                                        |
| Length inlet hose:                                                             | ..... 165 cm                                                                                        |
| Length outlet hose:                                                            | ..... 190 cm                                                                                        |
| Hidden heating element:                                                        | ..... Yes                                                                                           |
| Water protection system description:                                           | ..... Triple water protection 24h                                                                   |
| Child safety devices:                                                          | ..... No                                                                                            |
| Water softener:                                                                | .....Yes                                                                                            |
| Top basket type:                                                               | ..... R2                                                                                            |
| Adjustable upper basket:                                                       | ..... Rackmatic 3-stage                                                                             |
| Bottom basket type:                                                            | ..... R2                                                                                            |
| 3rd Rack:                                                                      | ..... VarioDrawer                                                                                   |
| Optional accessories:                                                          | ..... SGZ0BI01, SGZ0IC00, SGZ1010, SGZ8BI00, SMZ1051EU, SMZ2056, SMZ5003, SMZ5035, SMZ5100, SMZ5300 |
| Included accessories 2:                                                        | ..... steam protection                                                                              |
| Number of place settings:                                                      | ..... 13                                                                                            |
| Dimensions of the product (HxWxD):                                             | .....815 x 598 x 550 mm                                                                             |
| Dimensions of the packed product (HxWxD):                                      | ..... 880 x 660 x 670 mm                                                                            |



## Series 4, Fully-integrated dishwasher, 60 cm SMV4ECX14E

### Better drying performance with the connected dishwasher for smart remote control.

- \* Please find warranty terms under [<https://www2.bosch-home.com/vn/vi/experience-bosch/3yearsarranty>]
- Panel legend: Plain text (english)
- Please find warranty terms under:  
[www2.bosch-home.com/vn/en/experience-bosch/3yearsarranty](https://www2.bosch-home.com/vn/en/experience-bosch/3yearsarranty).

#### Specifications

- Capacity: 13 place settings
- Product dimensions (HxWxD): 81.5 x 59.8 x 55 cm
- Programme time in programme Eco 50 °C: 195 min
- Noise level: 42 dB(A) re 1 pW
- Noise level (silence programme): 40 dB(A) re 1 pW
- Home Connect enabled via WLAN
- Remaining programme time indicator (min)

#### Programmes

- 6 programmes: Eco 50 °C, Auto 45-65° 45-65 °C, Intensive 70 °C, Express 65° 65 °C, Silence 50 °C, Favourite
- Favourite Program
- 4 special options: Remove Start, VarioSpeedPlus, HygienePlus, Extra Trocknen
- Machine Care

#### Features

- AquaSensor, Load-Sensor
- DosageAssist
- BLDC Motor
- Detergent Automation
- Self-cleaning filter system with 3-fold corrugated filter
- EcoDrying and Heat exchanger
- Interior tub material: Stainless Steel
- Electronic delay timer: 1-24 hours
- Push button top controls
- InfoLight (red)
- incl. Salt filling funnel
- incl. Steam protection plate

#### Racks and Baskets

- 6 foldable plate racks in top basket
- 8 FlexTines in bottom basket
- Variobasket system
- VarioDrawer Pro
- Low friction wheels on lower rack and 3rd loading level
- Rack Stopper to prevent derailing of bottom basket
- 2 cup shelves in top basket
- 2 cup shelves in bottom basket
- Rackmatic height-adjustable top basket (3 stage)

#### Safety

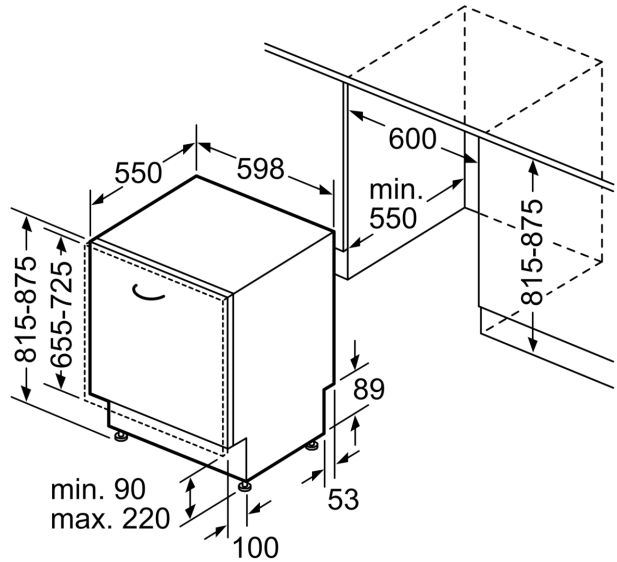
- AquaStop: Bosch warranty in case of water damage – for the lifetime of the appliance.\*
- Based on 280 standard cleaning cycles using cold water fill and the consumption of the low power modes.
- The consumption per cleaning cycle of the programme "Eco 50" using cold water fill

## Series 4, Fully-integrated dishwasher, 60 cm SMV4ECX14E

measurements in mm



⏏ socket  
( ) values with extension kit



measurements in mm