

Series 4, French door bottom freezer, multi door, 183 x 90.5 cm, Black stainless steel KFN96AXEA



- **XXL capacity:** extra space for your food when you need it.
- **LED lighting:** keep your groceries in perfect view.
- **BigBox frozen food drawer:** for stacking storage containers or for large frozen food items.
- **SuperCooling:** cools new food placed inside faster, thus protecting already cooled food.

Energy Efficiency Class (Regulation (EU) 2017/1369): E
Average annual energy consumption in kilowatt hour per year (kWh/a) (EU) 2017/1369:333 kWh/annum
Sum of volume of frozen compartments (EU 2017/1369): 200 l
Sum of volume of chill compartments: 405 l
Airborne acoustical noise emissions :38 dB(A) re 1 pW
Airborne acoustical noise emission class (EU 2017/1369): C
Built-in / Free-standing:Free-standing
Number of compressors: 1
Number of independent cooling systems: 1
Width of the appliance:905 mm
Height: 1830 mm
Depth of the product: 731 mm
Net weight: 118.3 kg
Door panel options: Not possible
Door hinge:left and right
Number of Adjustable Shelves in fridge compartment: 3
Shelves for Bottles: No
Frost free system: Fridge
Interior ventilator: Yes
Reversible Door Hinge: No
Length electrical supply cord: 240.0 cm
Noise level:38 dB(A) re 1 pW
Multi-Flow Air Tower: Yes
Fast cooling switch:Yes
Fast freezing switch:Yes
Temperature Controlled Drawer:No
Humidity Control Drawer:No
Number of Door Bins - Refrigerator:4
Door bin adjustability - Refrigerator: Yes
Tilt-out door bins in fridge:Yes
Gallon wide door bins: Yes
Number of Gallon storage: 2
Motorized Shelf: No
Material of the shelves: Safety glass
Door opened indicator freezer:Yes
Automatic motor-driven ice-maker:No
Fuse protection: 10 A
Voltage: 220-240 V
Frequency: 50-60 Hz
Storage Period in Event of Power Failure (h): 15 h
Door panel options: Not possible
Noise level:38 dB(A) re 1 pW
Energy Star Qualified:No
Plug type: Gardy plug w/ earthing
Required cutout/niche size for installation (in):x
Dimensions of the packed product: 74.99 x 39.29 x 30.23
Net weight:261.000 lbs
Gross weight: 284.000 lbs



Series 4, French door bottom freezer, multi door, 183 x 90.5 cm, Black stainless steel KFN96AXEA

- Full no frost, Free-standing-refrigerator >= 3 door
- black inox-antifingerprint Doors

Performance and consumption

- EU19_EEK_D: E
- Total Volume : 605 l l
- Net Fridge Volume : 405 l l
- Net Freezer Volume : 200 l l
- Freezing capacity 24h : 13 kg kg
- Annual Energy Consumption: 333 kWh/a kWh/a
- Climate Class: SN-T
- yes
- Noise Level : 38 dB dB
- Temperature rise time : 15 H H

Design and Styling

- Doors black inox-antifingerprint, side panels cast iron
- Interior with metal applications

Convenience & Safety

- Remote Monitoring and Control, Remote diagnostics
- Super Cooling: automatic deactivation
- Full no frost - never again defrosting!
- acoustic for Fridge and Freeze, visual

Fridge Compartment

- Multi Airflow

Freshness System

Freezer Section

- 6 transparent freezer drawers
- 1 ice cube tray

Dimensions

- Appliance Dimensions (H x W x D): 183.0 cm x Appliance width:
90.5 cm x 73.1 cm

Technical Information

- 4 wheels for easier transport, 3 of them height adjustable.
- Nominal voltage: 220 - 240 V

Accessories

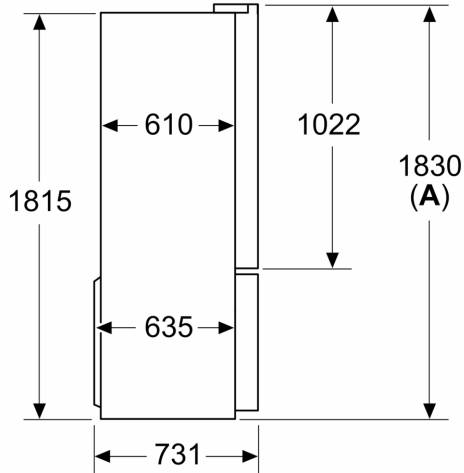
- egg tray
- ice cube tray

Country Specific Options

- Based on the results of the standard 24-hour test. Actual consumption depends on usage/position of the appliance.
- 2 door trays high
- LED

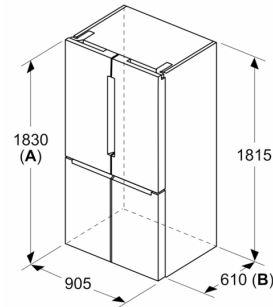
**Series 4, French door bottom
freezer, multi door, 183 x 90.5 cm,
Black stainless steel
KFN96AXEA**

Measurements in mm



A: Front is adjustable 1830–1847 mm, with front levelling feet fully extended

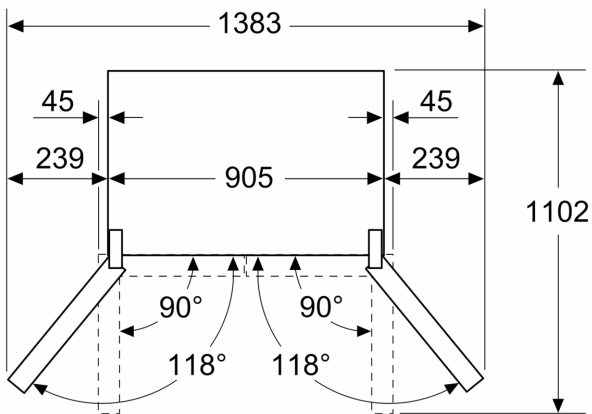
Measurements in mm



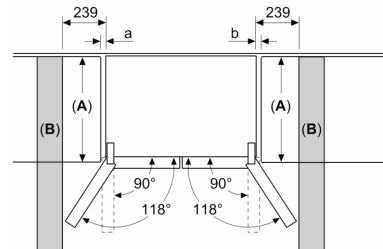
A: Front is adjustable 1830–1847 mm, with front levelling feet fully extended

B: Add 25 mm for fixed spacers on back

Measurements in mm



Measurements in mm



A	a	b
≤ 600	0	0
600 < A ≤ 650	45	45
650 < A ≤ 700	60	60
> 700	239	239

A: Kitchen cabinet or worktop depth

B: Wall
Drawers can be pulled and taken out with door open to 90°