

**Series 4, Built-in oven, 60 x 60 cm,
Stainless steel
HBS534BS0B**



2 x combination grid, 1 x universal pan, 2 x Universal pan, slim size

HEZ327000 Pizza stone, HEZ32WA00 Wireless food thermometer, HEZ530000 Half tray, HEZ531010 Baking tray, non-stick ceramic coated, HEZ532010 Universal pan, non-stick ceramic coated, HEZ538000 1fold telescopic rail, level independent, HEZ617000 Pizza pan, enamelled, HEZ629070 Air Fry & Grill tray, HEZ631070 Baking tray, enamelled, HEZ632070 Multipurpose pan, enamelled, HEZ633001 Lid for professional pan, enamelled, HEZ633070 Professional pan, enamelled, HEZ634000 Baking and roasting grid (standard), HEZ636000 Glass pan, HEZ638000 Full ext rails, level independent, HEZ660050 Cover Strip, HEZ664000 Baking and roasting grid (steam), HEZ915003 Glass roasting dish, 5,4 L

The built-in oven with 3D hotair: achieve perfect baking and roasting results on up to three levels simultaneously.

- **LED-display control, red:** easy-to-use thanks to the time functions.
- **Pop-out controls:** Make the front of the oven easy to clean and give it a sleek look.
- **EcoClean Direct:** less cleaning effort thanks to a special coating of the rear wall that automatically absorbs grime.
- **Cleaning Assistance:** less cleaning effort thanks to the new cleaning option, which can be especially used for cleaning of light soiling.
- **2 universal pans, slim size:** optimized for smaller amounts of different dishes.

Gross weight: 35.5 kg
 Built-in / Free-standing: Built-in
 Integrated Cleaning system: EcoClean Direct program, Hydrolytic
 Min. required niche size for installation (HxWxD): 585-595 x 560-568 x 550 mm
 Dimensions: 595 x 594 x 548 mm
 Dimensions of the packed product (HxWxD): 675 x 660 x 690 mm
 Control Panel Material: Stainless steel
 Door Material: Glass
 Net weight: 33.4 kg
 Usable volume of cavity: 71 l
 Heating modes:: Full width grill, Hotair gentle, Hot Air, Conventional heat, Pizza setting, Bottom heat, Hot air grilling
 Number of interior lights: 1
 Length electrical supply cord: 120.0 cm
 Interior Lights - cavity 1: 1
 Pull-out system: Accessory
 Included accessories: 2 x combination grid, 1 x universal pan, 2 x Universal pan, slim size
 Broil Element Wattages cavity 1: 2700 W
 Convection Element Wattages cavity 1: 1600 W
 Energy efficiency class: A
 Energy consumption per cycle conventional (2010/30/EC): 0.97 kWh/cycle
 Energy consumption per cycle forced air convection (2010/30/EC): 81 kWh/cycle
 Energy efficiency index (2010/30/EC): 95.3 %
 Connection rating: 2990 W
 Fuse protection: 13 A
 Voltage: 220-240 V
 Frequency: 60; 50 Hz
 Plug type: No plug (electrical connection by electrician)
 Alternative colors available: HBS534BB0B, HBS534BW0B
 Energy input: Electric
 Required cutout/niche size for installation (in): x
 Dimensions of the packed product: 26.57 x 25.98 x 27.16
 Net weight: 74.000 lbs
 Gross weight: 78.000 lbs
 Length electrical supply cord: 120.0 cm
 Net weight: 33.4 kg



Series 4, Built-in oven, 60 x 60 cm, Stainless steel HBS534BS0B

The built-in oven with 3D hotair: achieve perfect baking and roasting results on up to three levels simultaneously.

Type of oven / heating system:

- Oven with 7 heating methods: Hot Air, Conventional heat, Hot air grilling, Full width grill, Pizza setting, Bottom heat, Hotair gentle, Round halogen light Oven with 7 heating methods: Hot Air, Conventional heat, Hot air grilling, Full width grill, Pizza setting, Bottom heat, Hotair gentle
- Temperature range 50 °C °C - 275 °C °C
- Cavity volume: 71 l l

Hook-in racks / rails

- Number of shelf levels: 5 PC PC
- 1 level telescopic shelf, full extension, pyrolitic proof, with Stop function

Design

- Control Ring
- Extra large capacity oven with grey enamel

Cleaning:

- EcoClean Direct : Coating of back panel
- Cleaning Assistance
- Full glass inner door

Comfort

- 2,5"-TFT-color and text display with touch-control buttons
- Electronic clock
- Temperature proposal, Actual temperature display, Heating-up control
- Bar handle
- Rapid heating-up
- Halogen interior lighting
- Integral cooling fan

Accessory

- combination grid, universal pan

Environment and Safety:

- Child lock Automatic switch off Residual heat indicator Start-/Stop button Door contact switch

Technical Information

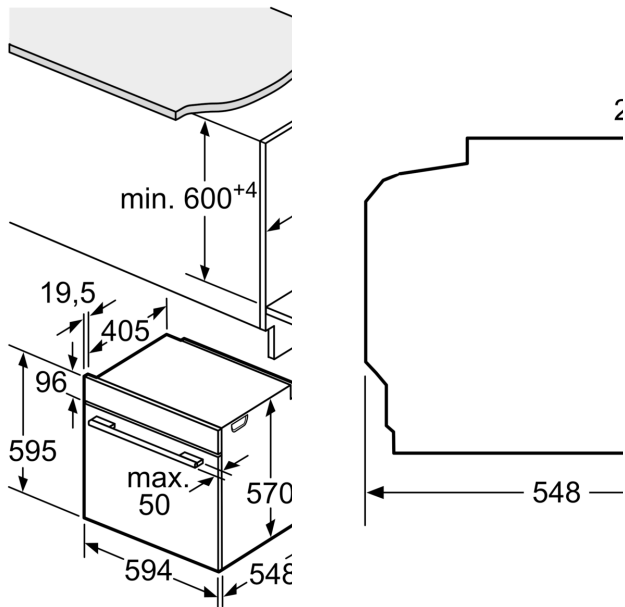
- Length of mains cable: 120 cm
- Nominal voltage: 220 - 240 V
- Total connected load electric: Total connected load electric: 2.99 KW KW
- Energy efficiency rating (acc. EU Nr. 65/2014): A(at a range of energy efficiency classes from A+++ to D)
- Energy consumption per cycle in conventional mode:0.97 kWh
- Energy consumption per cycle in fan-forced convection mode:0.81 kWh
- Number of cavities: 1 Heat source: electrical Cavity volume:71 l

Dimensions:

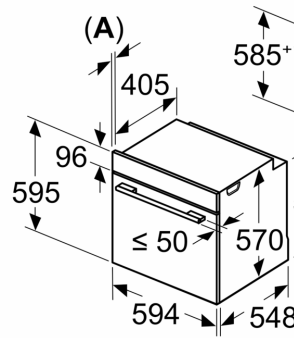
- Appliance dimension (hxwxh): 595 mm x 594 mm x 548 mm
- Niche dimension (hxwxh): 575 mm-597 mmx560 mm-568 mmx550 mm
- "Please reference the built-in dimensions provided in the installation drawing"
- We recommend you to choose complementary products within SeriesSER4, in order to assure an optimal design combination of your Built-In appliances.



**Series 4, Built-in oven, 60 x 60 cm,
Stainless steel
HBS534BS0B**

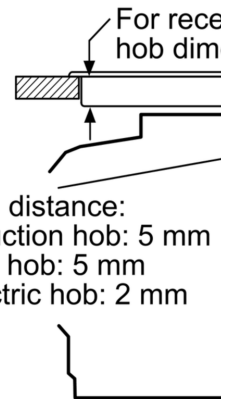


Measurements in mm



A: 19.5 mm
B: Space for appliance
115 mm

Installation with a hob



Min. distance:
Induction hob: 5 mm
Gas hob: 5 mm
Electric hob: 2 mm