

**Series 6, Built-in oven, 60 x 60 cm,  
Black  
HBJ559EB6M**



**The built-in oven with AutoPilot:  
automatically prepares perfect dishes.**

- Ideal for preparing of frozen pizza.
- **3D Hotair:** even heat distribution for perfect results on up to three levels.
- **AutoPilot 40:** every dish is a perfect success thanks to 40 pre-set automatic programmes.
- **LED-display control, red:** easy-to-use thanks to the time functions.
- **EcoClean Direct:** easy cleaning thanks to a coating that breaks down grease while you bake.

1 x combination grid, 1 x universal pan, 1 x Air Fry & Grill tray

HEZ317000	Pizza pan, enamelled
HEZ327000	Pizza stone
HEZ333001	Lid for professional pan
HEZ425000	Grill tray
HEZ429001	Air Fry & Grill tray, anthracite
HEZ431002	Baking tray, enamelled
HEZ438201	2 level telescopic shelf rails
HEZ438301	3 level telescopic shelf rails
HEZ915003	Glass roasting dish, 5,4 L

Gross weight: ..... 36.6 kg  
 Built-in / Free-standing: ..... Built-in  
 Integrated Cleaning system: ..... EcoClean Direct program  
 Min. required niche size for installation (HxWxD): 575-597 x 560-568 x 550 mm  
 Dimensions: ..... 595 x 594 x 548 mm  
 Dimensions of the packed product (HxWxD): ..... 670 x 650 x 685 mm  
 Control Panel Material: ..... Glass  
 Door Material: ..... Glass  
 Net weight: ..... 34.5 kg  
 Usable volume of cavity: ..... 66 l  
 Heating modes: ..... Defrost, Hotair gentle, Hot Air, Intensive heat, Conventional heat, Pizza setting, Bottom heat, Hot air grilling, Full width variable grill, Half width variable grill, pre-heating, warming  
 Number of interior lights: ..... 1  
 Length electrical supply cord: ..... 146.0 cm  
 Interior Lights - cavity 1: ..... 1  
 Pull-out system: ..... 1-level  
 Included accessories: 1 x combination grid, 1 x universal pan, 1 x Air Fry & Grill tray  
 Broil Element Wattages cavity 1: ..... 2800 W  
 Energy efficiency class: ..... A  
 Energy consumption per cycle conventional (2010/30/EC): ..... 0.98 kWh/cycle  
 Energy consumption per cycle forced air convection (2010/30/EC): ..... 79 kWh/cycle  
 Energy efficiency index (2010/30/EC): ..... 95.2 %  
 Connection rating: ..... 3100 W  
 Fuse protection: ..... 16 A  
 Voltage: ..... 220-240 V  
 Frequency: ..... 50; 60 Hz  
 Plug type: ..... No plug (electrical connection by electrician)  
 Energy input: ..... Electric  
 Required cutout/niche size for installation (in): ..... x  
 Dimensions of the packed product: ..... 26.37 x 25.59 x 26.96  
 Net weight: ..... 76.000 lbs  
 Gross weight: ..... 81.000 lbs  
 Length electrical supply cord: ..... 146.0 cm  
 Net weight: ..... 34.5 kg



## **Series 6, Built-in oven, 60 x 60 cm, Black HBJ559EB6M**

### **The built-in oven with AutoPilot: automatically prepares perfect dishes.**

#### **Type of oven / heating system:**

- Oven with 12 heating methods: Hot Air, Conventional heat, Hot air grilling, Pizza setting, Bottom heat, Intensive heat, Defrost, pre-heating, Warming, Hotair gentle, Round halogen light Oven with 12 heating methods: Hot Air, Conventional heat, Hot air grilling, Pizza setting, Bottom heat, Intensive heat, Defrost, pre-heating, Warming, Hotair gentle, Full width variable grill, Half width variable grill
- Temperature range 50 °C °C - 275 °C °C
- Cavity volume: 66 l l

#### **Hook-in racks / rails**

- Number of shelf levels: 5 PC PC
- 1 level telescopic shelf, full extension, pyrolytic proof, with Stop function

#### **Design**

- Control Ring
- Extra large capacity oven

#### **Cleaning:**

- side liners: coating of ceiling, back panel, side liners
- EcoClean Direct program
- Full glass inner door

#### **Comfort**

- 2,5"-TFT-color and text display with touch-control buttons
- Electronic clock
- Temperature proposal, Actual temperature display, Heating-up control
- AutoPilot 20
- Bar handle
- Supporting systems: Programs
- Rapid heating-up
- Halogen interior lighting
- Integral cooling fan
- Info button
- Tính năng HomeConnect sử dụng wifi

#### **Accessory**

- combination grid, universal pan

#### **Environment and Safety:**

- 3 PC glazed CoolTouch door
- Child lock Automatic switch off Residual heat indicator Start-/Stop button Door contact switch

#### **Technical Information**

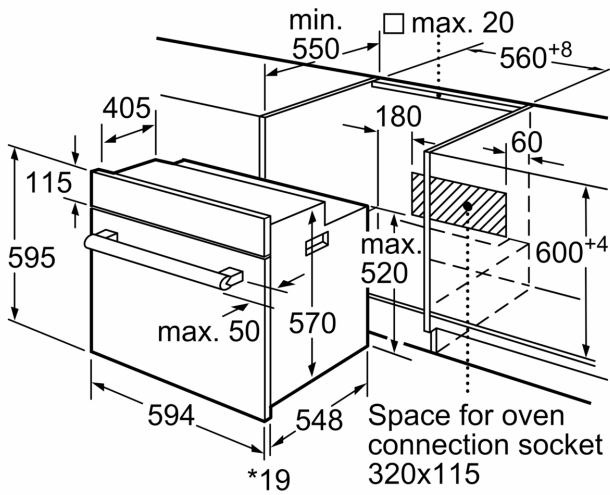
- Length of mains cable: 120 cm
- Nominal voltage: 220 - 240 V
- Total connected load electric: Total connected load electric: 3.1 KW KW
- Energy efficiency rating (acc. EU Nr. 65/2014): A(at a range of energy efficiency classes from A+++ to D)

- Energy consumption per cycle in conventional mode:0.98 kWh
- Energy consumption per cycle in fan-forced convection mode:0.79 kWh
- Number of cavities: 1 Heat source: electrical Cavity volume:66 l

#### **Dimensions:**

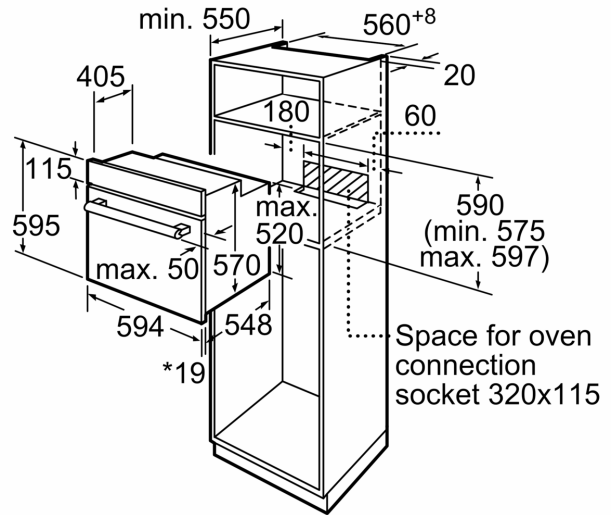
- Appliance dimension (hxwx): 595 mm x 594 mm x 548 mm
- Niche dimension (hxwx): 575 mm-597 mmx560 mm-568 mmx550 mm
- "Please reference the built-in dimensions provided in the installation drawing"
- We recommend you to choose complementary products within SeriesSER6, in order to assure an optimal design combination of your Built-In appliances.

**Series 6, Built-in oven, 60 x 60 cm,  
Black  
HBJ559EB6M**



\* 20 mm for metal fascias

measurements in mm



\* 20 mm for metal fascias

measurements in mm



\* 20 mm for metal fascias

Dimensions in mm