

**Series 2, Built-in oven, 60 x 60 cm,
Black
HBF134EB0K**



1 x grill tray, 1 x combination grid, 1 x universal pan

- HEZ317000 Pizza pan, enamelled
- HEZ327000 Pizza stone
- HEZ333001 Lid for professional pan
- HEZ429001 Air Fry & Grill tray, anthracite
- HEZ431002 Baking tray, enamelled
- HEZ438201 2 level telescopic shelf rails
- HEZ438301 3 level telescopic shelf rails
- HEZ625071 Grill tray, anthracite
- HEZ915003 Glass roasting dish, 5,4 L

The built-in oven with 3D hotair: achieve perfect baking and roasting results on up to three levels simultaneously.

- **LED-display control, red:** easy-to-use thanks to the time functions.
- **Pop-out controls:** Make the front of the oven easy to clean and give it a sleek look.
- **EcoClean Direct:** less cleaning effort thanks to a special coating of the rear wall that automatically absorbs grime.

Gross weight: 34.7 kg
 Built-in / Free-standing: Built-in
 Integrated Cleaning system: EcoClean Direct program
 Min. required niche size for installation (HxWxD): 575-597 x 560-568 x 550 mm
 Dimensions: 595 x 594 x 548 mm
 Dimensions of the packed product (HxWxD): 667 x 653 x 673 mm
 Control Panel Material: metal lacquered
 Door Material: Glass
 Net weight: 32.5 kg
 Usable volume of cavity: 66 l
 Heating modes: ..Defrost, Hotair gentle, Hot Air, Hot air grilling, Full width variable grill
 Number of interior lights: 1
 Length electrical supply cord: 180.0 cm
 Interior Lights - cavity 1: 1
 Pull-out system: Accessory
 Included accessories: 1 x grill tray, 1 x combination grid, 1 x universal pan
 Broil Element Wattages cavity 1: 2100 W
 Energy efficiency class: A
 Energy consumption per cycle forced air convection (2010/30/EC): 79 kWh/cycle
 Energy efficiency index (2010/30/EC): 95.2 %
 Connection rating: 2300 W
 Fuse protection: 10 A
 Voltage: 220-240 V
 Frequency: 50 Hz
 Plug type: GB plug
 Energy input: Electric
 Required cutout/niche size for installation (in): x
 Dimensions of the packed product: 26.25 x 25.70 x 26.49
 Net weight: 72.000 lbs
 Gross weight: 76.000 lbs
 Length electrical supply cord: 180.0 cm
 Net weight: 32.5 kg



**Series 2, Built-in oven, 60 x 60 cm,
Black
HBF134EB0K**

The built-in oven with 3D hotair: achieve perfect baking and roasting results on up to three levels simultaneously.

Type of oven / heating system:

- Oven with 5 heating methods: 3D hotair, Hot air grilling, Defrost, Hotair gentle, Full width variable grill
- Temperature range 50 °C - 275 °C
- Cavity volume: 66 l l

Design

- LED-display control (red)
- Rotary Control, Pop-out controls Black
- Electronic clock
- Cavity inner surface: Enamel grey

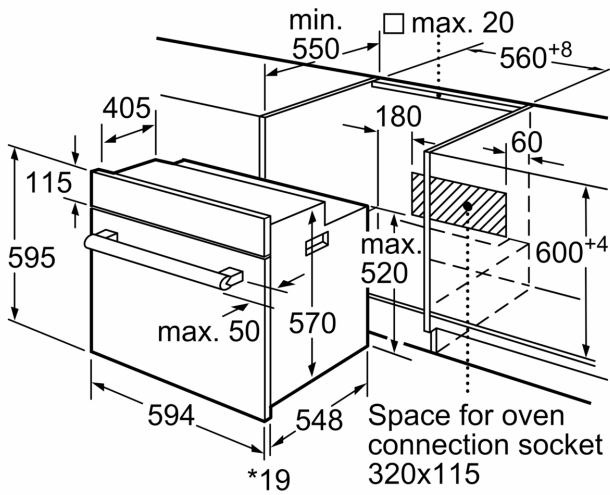
Comfort

- Rapid heating-up
- Halogen interior lighting
- Grill tray, combination grid, universal pan
- Energy efficiency rating (acc. EU Nr. 65/2014):A(at a range of energy efficiency classes from A+++ to D)Energy consumption per cycle in conventional mode:0.98 kWh Energy consumption per cycle in fan-forced convection mode:0.79 kWh Number of cavities:1

Technical Information

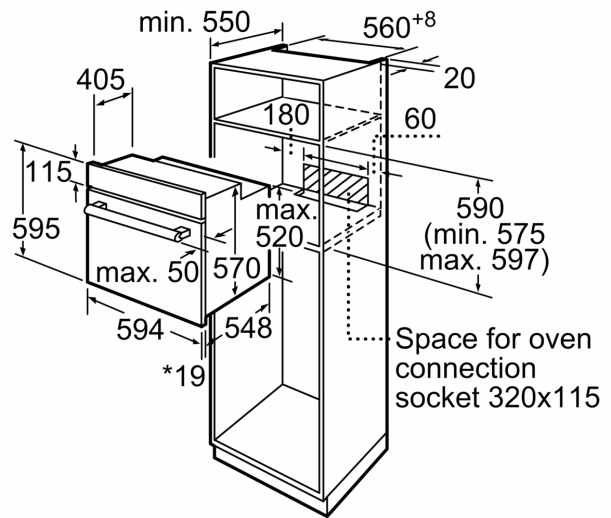
- Appliance dimension (hxwx): 595 mm x 594 mm x 548 mm
- Niche dimension (hxwx): 575 mm-597 mmx560 mm-568 mmx550 mm
- "Please reference the built-in dimensions provided in the installation drawing"
- Length of mains cable: 150 cm
- Nominal voltage: 220 - 240 V
- Total connected load electric: 2.2 KW

**Series 2, Built-in oven, 60 x 60 cm,
Black
HBF134EB0K**



* 20 mm for metal fascias

measurements in mm



* 20 mm for metal fascias

measurements in mm



* 20 mm for metal fascias

Dimensions in mm