

**Series 6, Built-in oven, 60 x 60 cm,  
Black  
HBA5360B0K**



**The built-in oven with AutoPilot:  
automatically prepares perfect dishes.**

- **AutoPilot 10:** every dish is a perfect success thanks to 10 pre-set automatic programmes.
- **LCD-display control, white:** easy-to-use thanks to additional functions and temperature indication.
- **Pop-out controls:** Make the front of the oven easy to clean and give it a sleek look.
- **EcoClean Direct:** less cleaning effort thanks to a special coating of the rear wall that automatically absorbs grime.

1 x combination grid, 1 x universal pan

HEZ327000 Pizza stone, HEZ32WA00 Wireless food thermometer, HEZ531010 Baking tray, non-stick ceramic coated, HEZ532010 Universal pan, non-stick ceramic coated, HEZ538000 1fold telescopic rail, level independent, HEZ617000 Pizza pan, enamelled, HEZ629070 Air Fry & Grill tray, HEZ631070 Baking tray, enamelled, HEZ632070 Multipurpose pan, enamelled, HEZ634000 Baking and roasting grid (standard), HEZ638000 Full ext rails, level independent, HEZ660050 Cover Strip, HEZ664000 Baking and roasting grid (steam), HEZ915003 Glass roasting dish, 5,4 L

Gross weight: ..... 36.4 kg  
 Built-in / Free-standing: ..... Built-in  
 Integrated Cleaning system: ..... EcoClean Direct program, Hydrolytic  
 Min. required niche size for installation (HxWxD): 585-595 x 560-568 x 550 mm  
 Dimensions: ..... 595 x 594 x 548 mm  
 Dimensions of the packed product (HxWxD): ..... 675 x 660 x 690 mm  
 Control Panel Material: ..... Glass  
 Door Material: ..... Glass  
 Net weight: ..... 34.4 kg  
 Usable volume of cavity: ..... 71 l  
 Heating modes: Full width grill, Hotair gentle, Hot Air, Conventional heat, Pizza setting, Bottom heat, Hot air grilling  
 Number of interior lights: ..... 1  
 Length electrical supply cord: ..... 120.0 cm  
 Interior Lights - cavity 1: ..... 1  
 Pull-out system: . Level-independent clip rails - for safe insertion and removal of accessories on any level  
 Included accessories: ..... 1 x combination grid, 1 x universal pan  
 Broil Element Wattages cavity 1: ..... 2700 W  
 Convection Element Wattages cavity 1: ..... 2200 W  
 Energy efficiency class: ..... A  
 Energy consumption per cycle conventional (2010/30/EC): ..... 0.97 kWh/cycle  
 Energy consumption per cycle forced air convection (2010/30/EC): 0.81 kWh/cycle  
 Energy efficiency index (2010/30/EC): ..... 95.3 %  
 Connection rating: ..... 3400 W  
 Fuse protection: ..... 16 A  
 Voltage: ..... 220-240 V  
 Frequency: ..... 60; 50 Hz  
 Plug type: ..... No plug (electrical connection by electrician)  
 Energy input: ..... Electric  
 Required cutout/niche size for installation (in): ..... x  
 Dimensions of the packed product: ..... 26.57 x 25.98 x 27.16  
 Net weight: ..... 76.000 lbs  
 Gross weight: ..... 80.000 lbs  
 Length electrical supply cord: ..... 120.0 cm  
 Net weight: ..... 34.4 kg



## **Series 6, Built-in oven, 60 x 60 cm, Black HBA5360B0K**

### **The built-in oven with AutoPilot: automatically prepares perfect dishes.**

---

#### **Type of oven / heating system:**

- Oven with 7 heating methods: 3D hotair, Conventional heat, Hotair grilling, Full width grill, Pizza setting, Bottom heat, Hotair gentle
- Temperature range 50C - 275C
- Cavity volume: 71 l l

#### **Hook-in racks / rails**

- 1-fold telescopic rail, level independent, with Stop function

#### **Design**

- Rotary Control, Pop-out controls
- Extra large capacity oven with grey enamel
- LCD-display control (white)
- Electronic clock
- Bar handle

#### **Comfort**

- automatic start Heating-up control
- AutoPilot 10
- Supporting systems: Programs
- Rapid heating-up
- Halogen interior lighting
- Integral cooling fan
- Maximum window temperature 50 °C
- Child lock Residual heat indicator
- Energy efficiency rating (acc. EU Nr. 65/2014): A (at a range of energy efficiency classes from A+++ to D) Energy consumption per cycle in conventional mode: 0.97 kWh Energy consumption per cycle in fan-forced convection mode: 0.81 kWh Number of cavities: 1

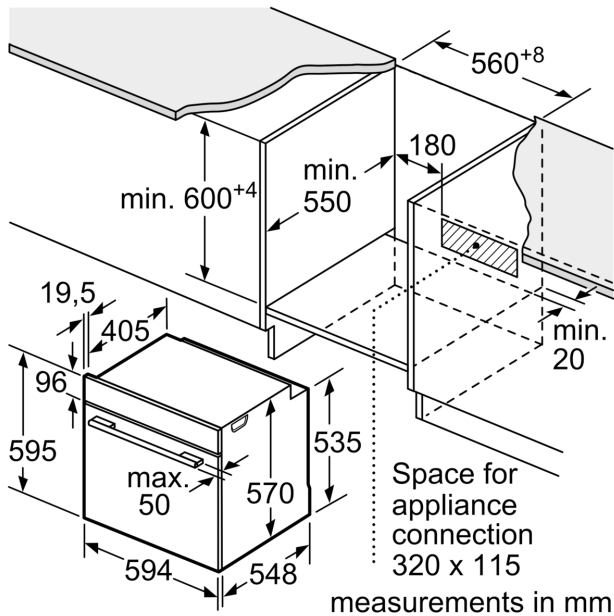
#### **Accessory**

- Combination grid, universal pan

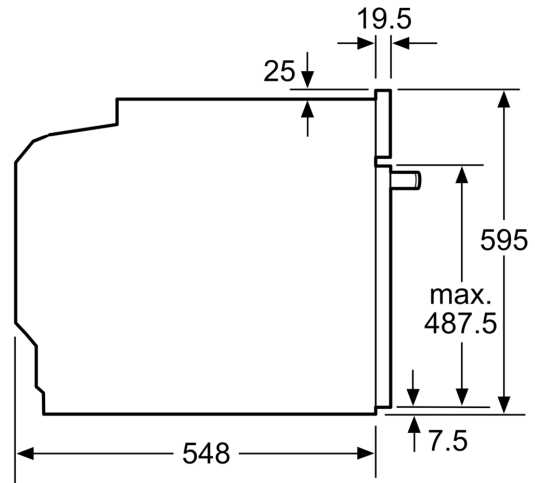
#### **Technical Information**

- Length of mains cable: 120 cm
- Nominal voltage: 220 - 240 V
- Total connected load electric: Total connected load electric: 3.4 KW KW
- Appliance dimension (h x w x d): 595 mm x 594 mm x 548 mm
- Niche dimension (h x w x d): 575 mm-597 mm x 560 mm-568 mm x 550 mm
- "Please reference the built-in dimensions provided in the installation drawing"
- We recommend you to choose complementary products within SeriesSER6, in order to assure an optimal design combination of your Built-In appliances.

**Series 6, Built-in oven, 60 x 60 cm,  
Black  
HBA5360B0K**

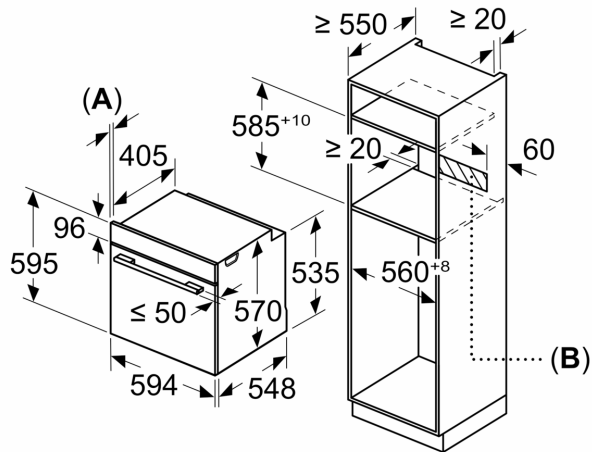


measurements in mm



measurements in mm

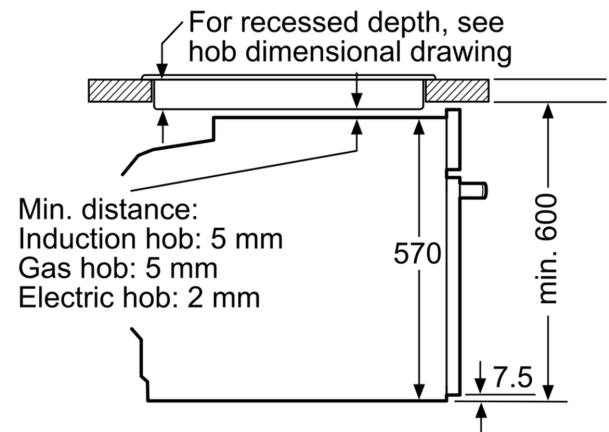
Measurements in mm



**A:** 19.5 mm

**B:** Space for appliance connection 320 x 115 mm

Installation with a hob.



Min. distance:  
Induction hob: 5 mm  
Gas hob: 5 mm  
Electric hob: 2 mm

measurements in mm