

**Series 4, Built-in oven, 60 x 60 cm,
Black
HBA534EB0K**



1 x combination grid, 1 x universal pan

HEZ633070 Professional pan, enamelled, HEZ634000 Baking and roasting grid (standard), HEZ636000 Glass pan, HEZ638000 Full ext rails, level independent, HEZ660050 Cover Strip, HEZ664000 Baking and roasting grid (steam), HEZ915003 Glass roasting dish, 5,4 L, HEZ327000 Pizza stone, HEZ32WA00 Wireless food thermometer, HEZ530000 Half tray, HEZ531010 Baking tray, non-stick ceramic coated, HEZ532010 Universal pan, non-stick ceramic coated, HEZ538000 1fold telescopic rail, level independent, HEZ617000 Pizza pan, enamelled, HEZ629070 Air Fry & Grill tray, HEZ631070 Baking tray, enamelled, HEZ632070 Multipurpose pan, enamelled, HEZ633001 Lid for professional pan, enamelled

The built-in oven with 3D hotair: achieve perfect baking and roasting results on up to three levels simultaneously.

- **LED-display control, red:** easy-to-use thanks to the time functions.
- **Pop-out controls:** Make the front of the oven easy to clean and give it a sleek look.
- **EcoClean Direct:** less cleaning effort thanks to a special coating of the rear wall that automatically absorbs grime.
- **1-stage telescoping rails:** for safe, easy insertion and removal of baking trays.

Gross weight:	33.8 kg
Built-in / Free-standing:	Built-in
Integrated Cleaning system:	EcoClean Direct program, Hydrolytic
Min. required niche size for installation (HxWxD):	585-595 x 560-568 x 550 mm
Dimensions:	595 x 594 x 548 mm
Dimensions of the packed product (HxWxD):	675 x 660 x 690 mm
Control Panel Material:	Glass
Door Material:	Glass
Net weight:	31.6 kg
Usable volume of cavity:	71 l
Heating modes:	Full width grill, Hotair gentle, Hot Air, Conventional heat, Pizza setting, Bottom heat, Hot air grilling
Number of interior lights:	1
Length electrical supply cord:	120.0 cm
Interior Lights - cavity 1:	1
Pull-out system:	1-level
Included accessories:	1 x combination grid, 1 x universal pan
Broil Element Wattages cavity 1:	2700 W
Convection Element Wattages cavity 1:	2200 W
Energy efficiency class:	A
Energy consumption per cycle conventional (2010/30/EC):	0.97 kWh/cycle
Energy consumption per cycle forced air convection (2010/30/EC):	0.81 kWh/cycle
Energy efficiency index (2010/30/EC):	95.3 %
Connection rating:	3400 W
Fuse protection:	16 A
Voltage:	220-240 V
Frequency:	60; 50 Hz
Plug type:	No plug (electrical connection by electrician)
Energy input:	Electric
Required cutout/niche size for installation (in):	x
Dimensions of the packed product:	26.57 x 25.98 x 27.16
Net weight:	70.000 lbs
Gross weight:	75.000 lbs
Length electrical supply cord:	120.0 cm
Net weight:	31.6 kg



Series 4, Built-in oven, 60 x 60 cm, Black HBA534EB0K

The built-in oven with 3D hotair: achieve perfect baking and roasting results on up to three levels simultaneously.

Type of oven / heating system:

- Oven with 7 heating methods: 3D hotair, Conventional heat, Hotair grilling, Full width grill, Pizza setting, Bottom heat, Hotair gentle
- Temperature range 50 C - 275 C
- Cavity volume: 71 l l

Design

- Rotary Control, Pop-out controls
- LED-display control (red)
- Electronic clock
- Bar handle
- Extra large capacity oven with grey enamel

Comfort

- Number of shelf levels: 5 PC PC
- 1 level telescopic shelf, with Stop function
- automatic start
- Rapid heating-up
- Halogen interior lighting
- Integral cooling fan
- Child lock
- Energy efficiency rating (acc. EU Nr. 65/2014): A (ata range of energy efficiency classes from A+++ to D) Energy consumption per cycle in conventional mode: 0.97 kWh Energy consumption per cycle in fan-forced convection mode: 0.81 kWh Number of cavities: 1

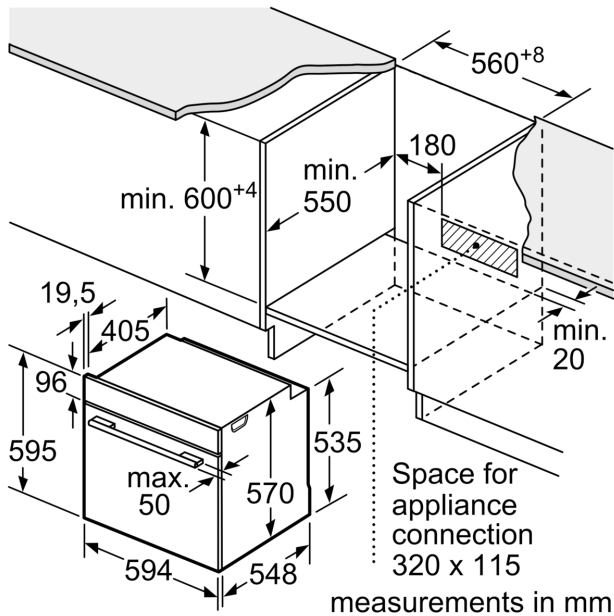
Accessory

- Combination grid, universal pan

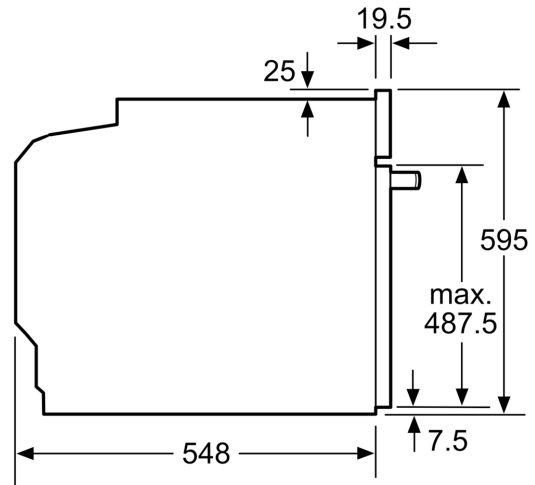
Technical Information

- Appliance dimension (hxwxd): 595 mm x 594 mm x 548 mm
- Niche dimension (hxwxd): 575 mm-597 mm x 560 mm-568 mm x 550 mm
- Length of mains cable: 120 cm
- Nominal voltage: 220 - 240 V
- Total connected load electric: Total connected load electric: 3.4 KW KW
- "Please reference the built-in dimensions provided in the installation drawing"
- We recommend you to choose complementary products within Series SER4, in order to assure an optimal design combination of your Built-In appliances.

**Series 4, Built-in oven, 60 x 60 cm,
Black
HBA534EB0K**

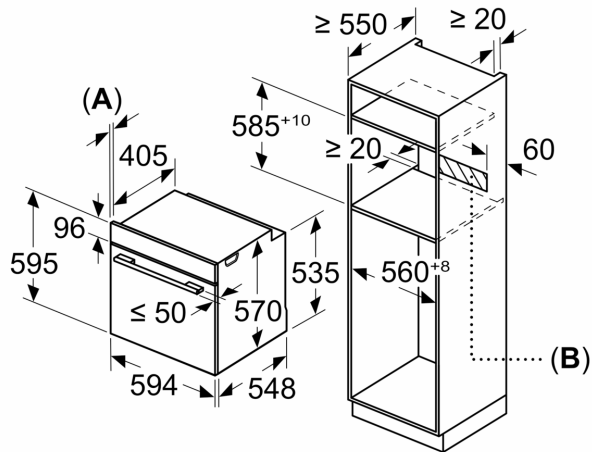


measurements in mm



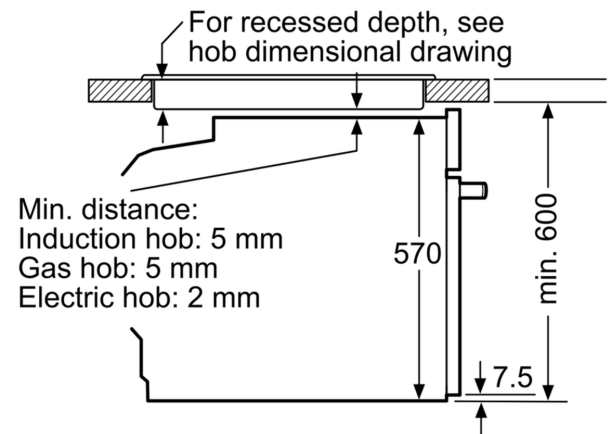
measurements in mm

Measurements in mm



A: 19.5 mm
B: Space for appliance connection 320 x 115 mm

Installation with a hob.



Min. distance:
Induction hob: 5 mm
Gas hob: 5 mm
Electric hob: 2 mm

measurements in mm