

**Series 6, Canopy cooker hood, 70 cm, Stainless steel
DHL785C**



- DWZ1IX1B6 Clean Air Plus odor filter (replacement)
- DWZ1IX1C6 Clean Air Plus recirc. kit external
- DHZ5316 Standard odor filter (replacement)
- DHZ5605 Standard recirculation kit
- DWZ0IT0P0 Long Life odor filter (replacement)
- DWZ1IT1D1 Long Life recirculation kit external

The canopy cooker hood: offers you flexibility in your kitchen planning - mount it either on the wall or above a kitchen island.

- **Intensive speed setting:** removes strong kitchen odours especially quickly and effectively.
- **Metal Grease Filter:** cleans the air, captures grease, easy monthly clean-up.

Typology: Built-in/Built-under
 Length electrical supply cord: 150.0 cm
 Min. required niche size for installation (HxWxD): 418mm x 676.0mm x 264mm mm
 Net weight:9.0 kg
 Type of control:Electronic
 Number of speed settings: 3-stages + intensive setting
 Max. air extraction: 630 m³/h
 Boost position output recirculating:664 m³/h
 Max. air recirculation: 571 m³/h
 Boost position air extraction: 730 m³/h
 Number of lights:2
 Noise level:66 dB(A) re 1 pW
 Diameter of air outlet: 150 / 120 mm
 Grease filter material:Washable aluminium
 Odour filter: No
 Operating Mode:Exhaust / Recirculation (Accessory available separately)
 Optional accessories: DWZ1IX1B6, DWZ1IX1C6, DHZ5316, DHZ5605, DWZ0IT0P0, DWZ1IT1D1
 Type of lamps used: LED
 Total power of the lamps: 2 W
 Grease filter type:Kassette
 Connection rating: 277 W
 Fuse protection:3 A
 Voltage: 220-240 V
 Frequency: 50 Hz
 Plug type: Gardy plug w/ earthing
 Installation typology: Built-in
 Material body: Stainless steel
 Plug type: Gardy plug w/ earthing
 Dimensions of the product, with chimney (if exists) (in):x x
 Dimensions of the packed product: 14.56 x 18.30 x 34.84
 Net weight:20.000 lbs
 Gross weight: 28.000 lbs
 Motor location: Integrated motor in hood body
 No-return airflow flap: Yes
 Length electrical supply cord: 150.0 cm
 Dimensions of the product, with chimney (if exists):418 x 700.0 x 300.0 mm
 Dimensions of the packed product (HxWxD): 370 x 465 x 885 mm
 Net weight:9.0 kg
 Gross weight: 12.9 kg



Series 6, Canopy cooker hood, 70 cm, Stainless steel DHL785C

The canopy cooker hood: offers you flexibility in your kitchen planning - mount it either on the wall or above a kitchen island.

- Energy Efficiency Class: C (at a range of energy efficiency classes from A+++ to D)
- Average Energy Consumption: 104.2 kWh/year
- Blower Efficiency Class: C*
- Lighting Efficiency Class: A
- Grease Filtering Efficiency Class: D
- Noise min./max. Normal Level: 53/66 dB

Variant

Design

Technical information

Environment and safety:

Comfort

Measures:

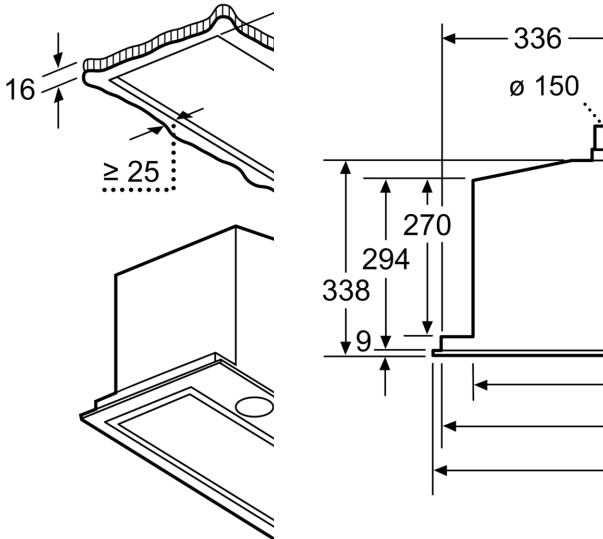
- Wall Hood Brushed steel
- Suitable for ducted or re-circulated extraction
- For recirculated extraction standard recirculation kit (accessory) needed
- Wall mounted hood
- Electronic controls
- Push button controls with Electronic display
- 3 speeds plus intensive setting
- Automatic revert setting, 6 minutes
- RimVentilation
- Fliter cover glass
- Metal grease fliter, dishwasher safe
- 2 x LED spot 2,15W (low volt)
- Light Intensity: 244 lux
- Colour Temperature: 3500 K
- Twin channel high performance fan motor
- Extraction rate exhaust air according to EN 61591:
 - max. normal use 630 m³/h, intensive 730 m³/h
- Noise level according to EN 60704-2-13 exhaust air: Max.normal use: 66 dB(A) re 1 pW Intensive: 69 dB(A) re 1 pW
- Max. extraction rate: 717 m³/h
- Dimensions (HxWxD): 418 x 700 x 300 mm
- Built-in dimensions (HxWxD): 418 x 676 x 264 mm
- Power rating: 220 W
- 120 or 150 mm diameter pipe
- Yes

Technical information

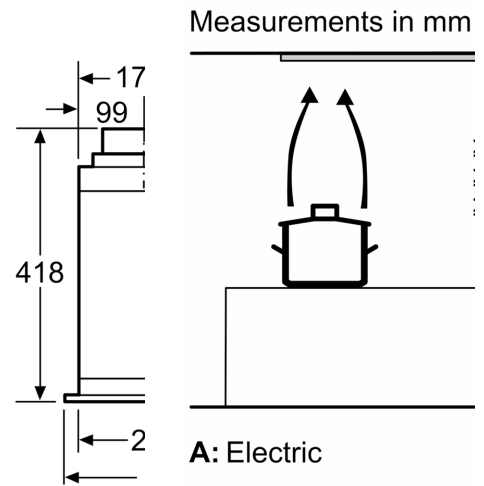
- With the Clean Air Plus recirculation kit (available as optional accessory) your appliances reaches:
 - Extraction rate in recirculation mode: Max. normal use: 571 m³/h
 - Intensive: 664 m³/h
- Noise level in recirculation mode: Max. normal use: 72 dB(A) re 1 pW
- Intensive: 75 dB(A) re 1 pW

In accordance with the EU-Regulation No 65/2014

**Series 6, Canopy cooker hood, 70 cm, Stainless steel
DHL785C**



measurements in mm



Measurements in mm

- A:** Electric
- B:** Gas - from upper e
- C:** Electric - for Austr