

**Series 8, Telescopic cooker hood, 60 cm, Stainless steel DFS067K51**



- DSZ4561 Standard odor filter (replacement)
- DSZ4565 Standard recirculation kit
- DSZ4660 Lowering frame
- DWZ0IT0P0 Long Life odor filter (replacement)
- DWZ1IT1D1 Long Life recirculation kit external
- DWZ1IX1B6 Clean Air Plus odor filter (replacement)
- DWZ1IX1C6 Clean Air Plus recirc. kit external
- DWZ2IT1B4 Clean Air Standard odor filter (repl.)
- DWZ2IT1I4 Clean Air Standard recirculation kit
- HEZG9AS00S Adapter

**Telescopic cooker hood: barely visible integrated in the wall unit, this ensures a clear kitchen design.**

- **Extra silent:** the high-performance hood, with minimal noise.
- **Eco Silence Drive:** the powerful, energy-saving drive for hoods.
- **Intensive speed setting:** removes strong kitchen odours especially quickly and effectively.

Typology: ..... Pull-out  
 Length electrical supply cord: ..... 175.0 cm  
 Min. required niche size for installation (HxWxD): 385mm x 524.0mm x 290mm mm  
 Net weight: ..... 11.8 kg  
 Type of control: .....Electronic  
 Number of speed settings: .....3-stage + 2 intensive  
 Max. air extraction: ..... 392 m<sup>3</sup>/h  
 Boost position output recirculating: ..... 628 m<sup>3</sup>/h  
 Max. air recirculation: ..... 358 m<sup>3</sup>/h  
 Boost position air extraction: ..... 717 m<sup>3</sup>/h  
 Number of lights: ..... 2  
 Noise level: .....53 dB(A) re 1 pW  
 Diameter of air outlet: ..... 120 / 150 mm  
 Grease filter material: ..... Washable stainless steel  
 Odour filter: ..... No  
 Operating Mode: .....Exhaust / Recirculation (Accessory available separately)  
 Optional accessories: .... DSZ4561, DSZ4565, DSZ4660, DWZ0IT0P0, DWZ1IT1D1, DWZ1IX1B6, DWZ1IX1C6, DWZ2IT1B4, DWZ2IT1I4, HEZG9AS00S  
 Type of lamps used: ..... LED  
 Total power of the lamps: .....4 W  
 Grease filter type: .....Kassette  
 Connection rating: ..... 144 W  
 Fuse protection: .....10 A  
 Voltage: ..... 220-240 V  
 Frequency: ..... 50; 60 Hz  
 Plug type: ..... Gardy plug w/ earthing  
 Installation typology: ..... Built-in  
 Material body: ..... Stainless steel  
 Plug type: ..... Gardy plug w/ earthing  
 Dimensions of the product, with chimney (if exists) (in): .....x x  
 Dimensions of the packed product: ..... 15.74 x 25.19 x 19.29  
 Net weight: .....26.000 lbs  
 Gross weight: ..... 30.000 lbs  
 Motor location: ..... Integrated motor in hood body  
 No-return airflow flap: ..... Yes  
 Length electrical supply cord: ..... 175.0 cm  
 Dimensions of the product, with chimney (if exists): ....426 x 598.0 x 290.0 mm  
 Dimensions of the packed product (HxWxD): ..... 400 x 640 x 490 mm  
 Net weight: .....11.8 kg  
 Gross weight: ..... 13.5 kg  
 Delay Shut off modes: ..... 10 min



## Series 8, Telescopic cooker hood, 60 cm, Stainless steel DFS067K51

**Telescopic cooker hood: barely visible integrated in the wall unit, this ensures a clear kitchen design.**

### Variant

- 90 cm wide
- 90 cm Chimney hood, Brushed steel
- Wall mounted hood
- Suitable for ducted or re-circulated extraction
- For recirculated extraction standard recirculation kit (accessory) needed

### Design

#### Comfort

- Push button controls with Electronic display
- Electronic controls via Push button controls with Electronic display
- Electronic controls
- Push button controls (3 speeds plus intensive setting) with Electronic display
- Electronic controls
- Rocker switches
- 3 speeds plus intensive setting
- Automatic revert setting, 6 minutes
- Automatic 10 minutes after running
- Air quality sensor

#### Features

- 2 x 1,5 W LED
- Light dimmer function
- SoftLight
- Colour Temperature: 3500 K
- Light Intensity: 294 lux
- Cassette with alu frame
- Metal grease filter, dishwasher safe
- Saturation indicator for grease filter and odor filter

#### Performance

- Extraction rate according to EN 61591 ø 15 cm: max. Normal use 392 m<sup>3</sup>/h Intensive 717 m<sup>3</sup>/h
- Extraction rate exhaust air according to EN 61591:  
- max. normal use 392 m<sup>3</sup>/h, intensive 717 m<sup>3</sup>/h
- Noise level according to EN 60704-2-13 exhaust air: Max. normal use: 53 dB(A) re 1 pW Intensive: 68 dB(A) re 1 pW
- Extraction rate exhaust air according to EN 61591 max. 328 m<sup>3</sup>/h
- Noise level according to EN 60704-2-13 at max. normal use exhaust air: Noise, max. speed in normal use: 53 dB dB(A) re 1 pW
- Noise min./max. Normal Level: 41/53 dB
- With the Clean Air Plus recirculation kit (available as optional accessory) your appliances reaches:  
- Extraction rate in recirculation mode: Max. normal use: 358 m<sup>3</sup>/h  
- Intensive: 628 m<sup>3</sup>/h  
- Noise level in recirculation mode: Max. normal use: 60 dB(A) re 1 pW  
- Intensive: 71 dB(A) re 1 pW

- 1 high-performance blower, Capacitor motor
- Energy efficient Capacitor motor

#### Planning and installation information

- Telescopic comfort installation: easy installation system
- Dimensions (HxWxD): 426 x 598 x 290 mm
- Built-in dimensions (HxWxD): 385 x 524 x 290 mm
- Diameter pipe Ø 150 mm (Ø 120 mm enclosed)
- Yes
- Electrical cable length 1.75 m
- Stainless steel handle included

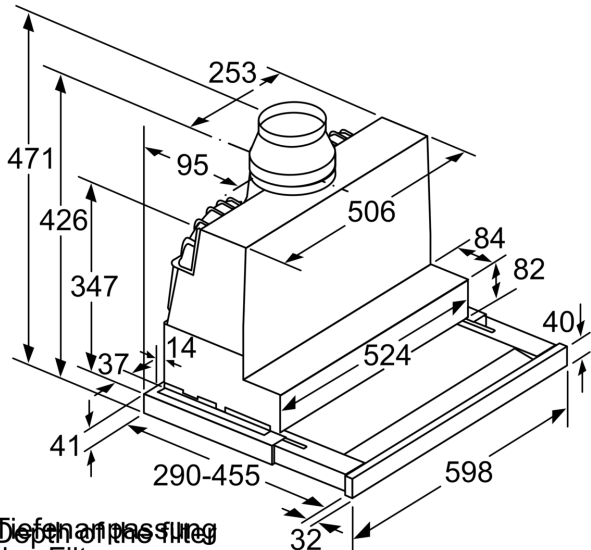
#### Consumption Data

- Energy Efficiency Class: A (at a range of energy efficiency classes from A+++ to D)
- Average Energy Consumption: 37.8 kWh/year
- Blower Efficiency Class: B\*
- Lighting Efficiency Class: A
- Grease Filtering Efficiency Class: B
- Power rating: 220 W

#### Technical information

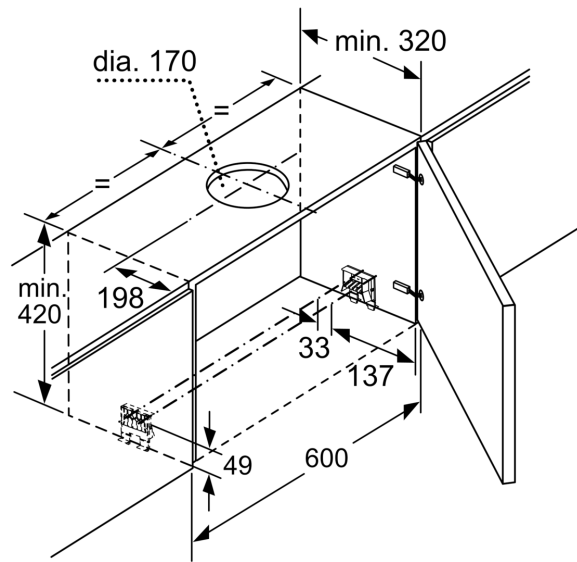
In accordance with the EU-Regulation No 65/2014

**Series 8, Telescopic cooker hood, 60 cm, Stainless steel**  
**DFS067K51**

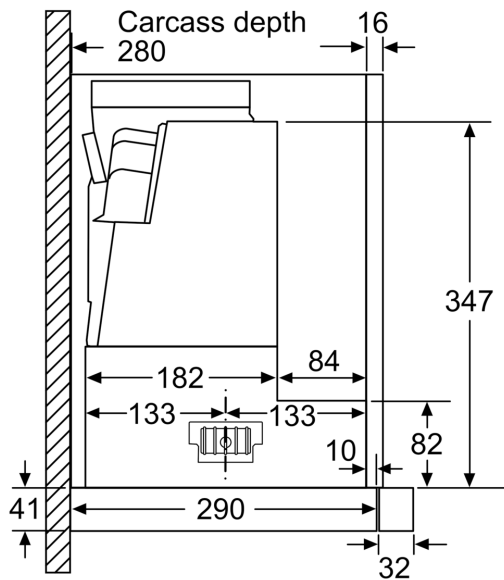


Tiefenmessung  
des Filterauszugs  
bis 29 mm möglich  
by up to 29 mm möglich

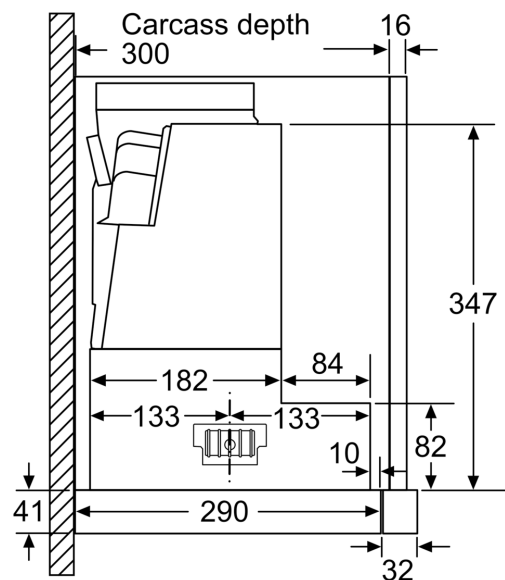
measurements in mm



measurements in mm



measurements in mm



measurements in mm

