

Series 4, Telescopic cooker hood, 60 cm, Silver metallic DFS067A51B



DSZ4561	Standard odor filter (replacement)
DSZ4565	Standard recirculation kit
DWZ0IT0P0	Long Life odor filter (replacement)
DWZ1IT1D1	Long Life recirculation kit external
DSZ4660	Lowering frame
DSZ4682	Handle strip white
DSZ4686	Handle strip black
DWZ1IX1B6	Clean Air Plus odor filter (replacement)
DWZ1IX1C6	Clean Air Plus recirc. kit external
DWZ2IT1B4	Clean Air Standard odor filter (repl.)
DWZ2IT1I4	Clean Air Standard recirculation kit

Telescopic cooker hood: barely visible integrated in the wall unit, this ensures a clear kitchen design.

- **Extra silent:** the high-performance hood, with minimal noise.
- **Eco Silence Drive:** the powerful, energy-saving drive for hoods.
- **Intensive speed setting:** removes strong kitchen odours especially quickly and effectively.

Typology: Pull-out
 Length electrical supply cord: 175.0 cm
 Min. required niche size for installation (HxWxD): 385mm x 524.0mm x 290mm mm
 Net weight: 10.6 kg
 Type of control:Electronic
 Number of speed settings: 3-stages + intensive setting
 Max. air extraction: 399 m³/h
 Boost position output recirculating: 628 m³/h
 Max. air recirculation: 358 m³/h
 Boost position air extraction: 728 m³/h
 Number of lights: 2
 Noise level: 53 dB(A) re 1 pW
 Diameter of air outlet: 120 / 150 mm
 Grease filter material: Washable stainless steel
 Odour filter: No
 Operating Mode: Exhaust / Recirculation (Accessory available separately)
 Optional accessories: DSZ4561, DSZ4565, DWZ0IT0P0, DWZ1IT1D1, DSZ4660, DSZ4682, DSZ4686, DWZ1IX1B6, DWZ1IX1C6, DWZ2IT1B4, DWZ2IT1I4
 Type of lamps used: LED
 Total power of the lamps: 4 W
 Grease filter type:Kassette
 Connection rating: 144 W
 Fuse protection: 10 A
 Voltage: 220-240 V
 Frequency: 50; 60 Hz
 Plug type: GB plug
 Installation typology: Built-in
 Material body: zinc plated
 Plug type: GB plug
 Dimensions of the product, with chimney (if exists) (in):x x
 Dimensions of the packed product: 15.74 x 25.19 x 19.29
 Net weight: 23.000 lbs
 Gross weight: 27.000 lbs
 Motor location: Integrated motor in hood body
 No-return airflow flap: Yes
 Length electrical supply cord: 175.0 cm
 Dimensions of the product, with chimney (if exists):426 x 598.0 x 290.0 mm
 Dimensions of the packed product (HxWxD): 400 x 640 x 490 mm
 Net weight: 10.6 kg
 Gross weight: 12.3 kg
 Delay Shut off modes: 10 min



4 242005 232062

Series 4, Telescopic cooker hood, 60 cm, Silver metallic DFS067A51B

Telescopic cooker hood: barely visible integrated in the wall unit, this ensures a clear kitchen design.

Performance

- Extraction rate according to EN 61591 ø 15 cm: max. Normal use 399 m³/h Intensive 728 m³/h
- Noise level according to EN 60704-2-13 exhaust air: Max.normal use: 53 dB(A) re 1 pW Intensive: 68 dB(A) re 1 pW
- 3 speeds plus intensive setting

Design

- Telescopic Hood silver metallic
- Push button controls
- Stainless steel handle included

Comfort

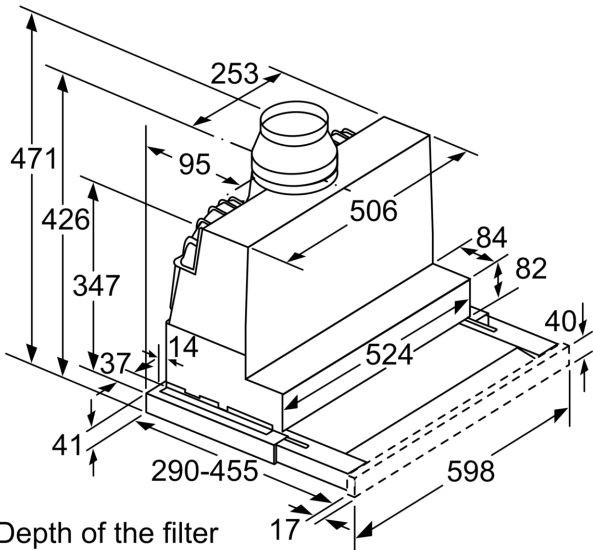
- Automatic revert setting, 6 minutes
- Automatic 10 minutes after running
- 2 x 1,5 W LED
- Stainless steel fliter covers, dishwasher safe
- Metal grease fliter, dishwasher safe
- Efficient BLDC-technology
- Energy Efficiency Class: A (at a range of energy efficiency classes from A+++ to D)

Technical information

- Dimensions (HxWxD): 426 x 598 x 290 mm
- Built-in dimensions (HxWxD): 385 x 524 x 290 mm
- Suitable for ducted or re-circulated extraction
- Install into a 60cm wide wall cupboard
- For recirculated extraction standard recirculation kit (accessory) needed
- Electrical cable length 1.75 m m
- Power rating: 144 W

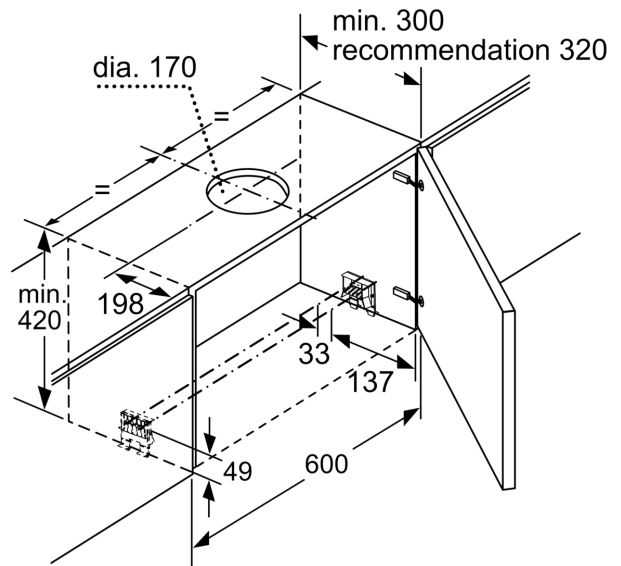
In accordance with the EU-Regulation No 65/2014

**Series 4, Telescopic cooker hood, 60 cm, Silver metallic
DFS067A51B**

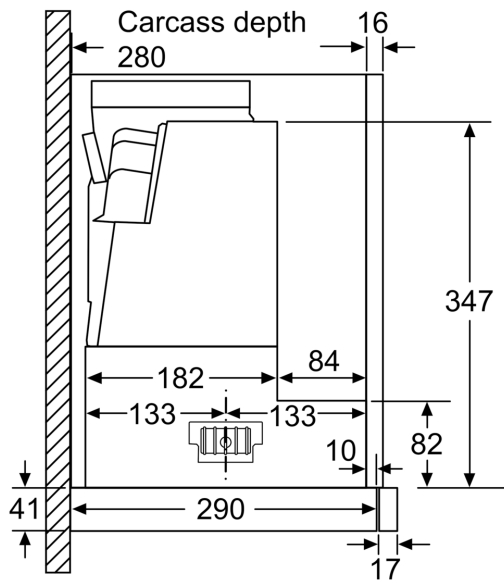


Depth of the filter drawer can be adjusted by up to 29 mm

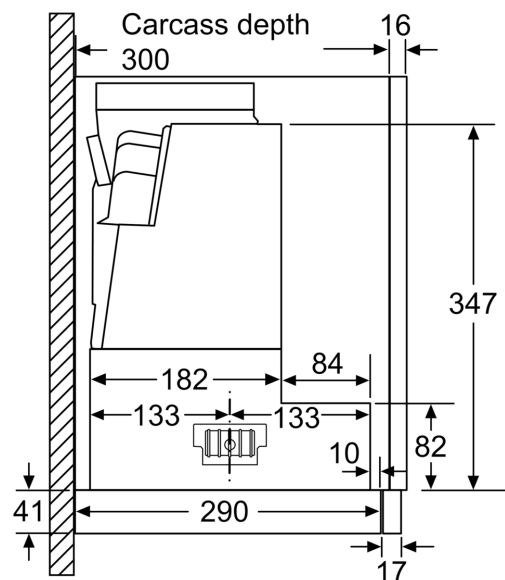
measurements in mm



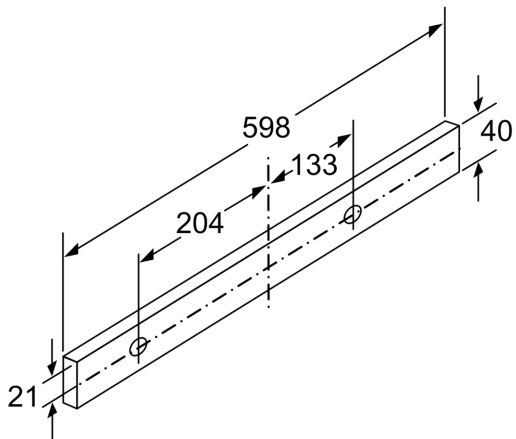
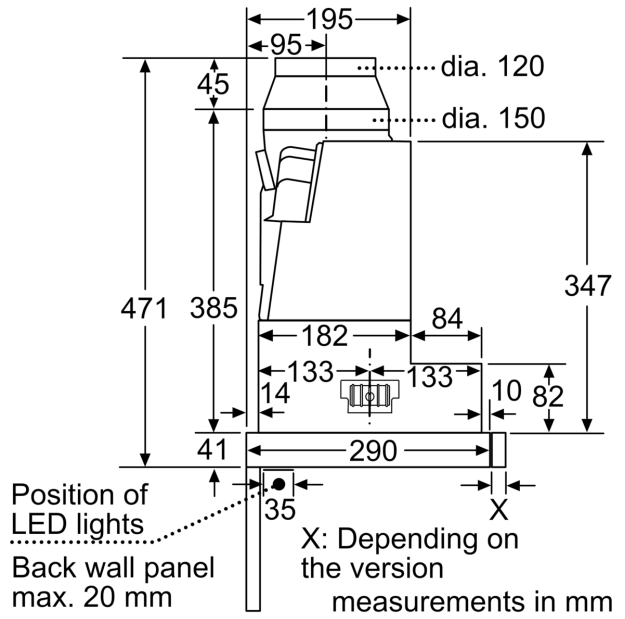
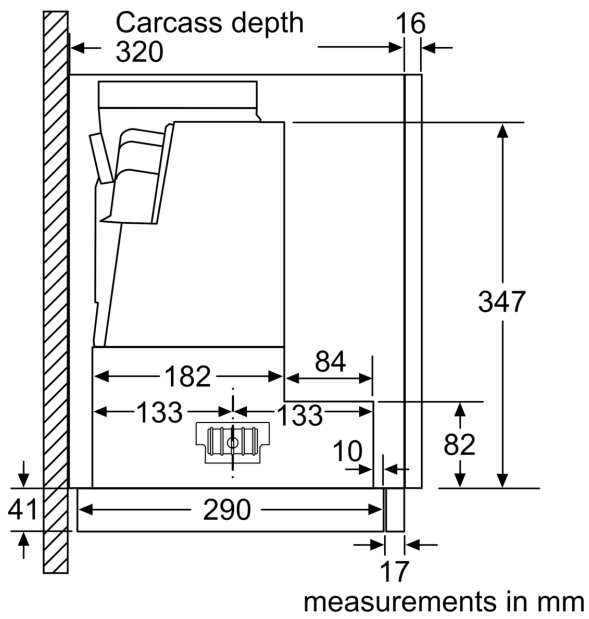
measurements in mm



measurements in mm



measurements in mm



measurements in mm