

Series 2, Telescopic cooker hood, 90 cm, Silver metallic DFM094W53



DSZ4986	Handle strip black
DWZ1IT1B4	Clean Air Standard odor filter (repl.)
DWZ1IT1I4	Clean Air Standard recirculation kit
DSZ4545	Standard recirculation kit
DSZ4551	Standard odor filter (replacement)
DSZ4982	Handle strip white

Telescopic cooker hood: barely visible integrated in the wall unit, this ensures a clear kitchen design.

- **Metal Grease Filter:** cleans the air, captures grease, easy monthly clean-up.

Typology: Pull-out
 Length electrical supply cord: 175.0 cm
 Min. required niche size for installation (HxWxD): 162mm x 526.0mm x 290mm mm
 Net weight: 10.0 kg
 Type of control: mechanical
 Number of speed settings: 3
 Max. air extraction: 383 m³/h
 Max. air recirculation: 257 m³/h
 Number of lights: 2
 Noise level: 67 dB(A) re 1 pW
 Diameter of air outlet: 120 / 150 mm
 Grease filter material: Washable aluminium
 Odour filter: No
 Operating Mode: Exhaust / Recirculation (Accessory available separately)
 Optional accessories: . DSZ4986, DWZ1IT1B4, DWZ1IT1I4, DSZ4545, DSZ4551, DSZ4982
 Type of lamps used: LED
 Total power of the lamps: 3 W
 Grease filter type: Kasette
 Connection rating: 108 W
 Fuse protection: 10 A
 Voltage: 220-240 V
 Frequency: 50 Hz
 Plug type: Gardy plug w/ earthing
 Installation typology: Built-in
 Material body: zinc plated
 Plug type: Gardy plug w/ earthing
 Dimensions of the product, with chimney (if exists) (in): x x x
 Dimensions of the packed product: 12.20 x 37.00 x 14.17
 Net weight: 22.000 lbs
 Gross weight: 27.000 lbs
 Motor location: Integrated motor in hood body
 No-return airflow flap: Yes
 Length electrical supply cord: 175.0 cm
 Dimensions of the product, with chimney (if exists): 203 x 898.0 x 290.0 mm
 Dimensions of the packed product (HxWxD): 310 x 940 x 360 mm
 Net weight: 10.0 kg
 Gross weight: 12.3 kg



Series 2, Telescopic cooker hood, 90 cm, Silver metallic DFM094W53

Telescopic cooker hood: barely visible integrated in the wall unit, this ensures a clear kitchen design.

-
- 90 cm wide
 - 90 cm Chimney hood, Brushed steel
 - Wall mounted hood
 - Suitable for ducted or re-circulated extraction
 - For recirculated extraction standard recirculation kit (accessory) needed
 - Wall Hood Brushed steel

Performance

- Extraction rate exhaust air according to EN 61591 max. 328 m³/h
- Noise level according to EN 60704-2-13 at max. normal use exhaust air: Noise, max. speed in normal us: 53 dB dB(A) re 1 pW
- 3 speeds plus intensive setting

Design

- Rocker switches
- Stainless steel handle included

Comfort

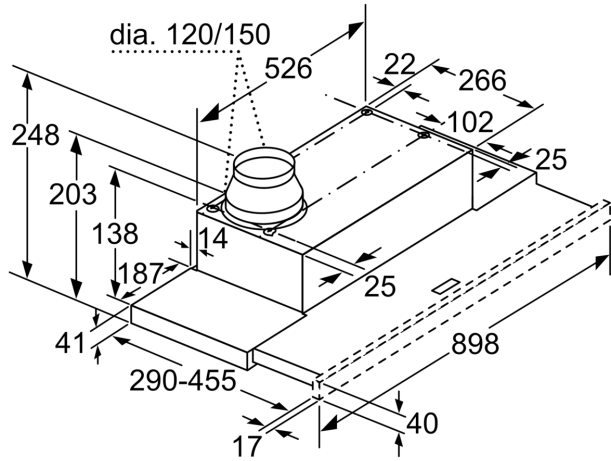
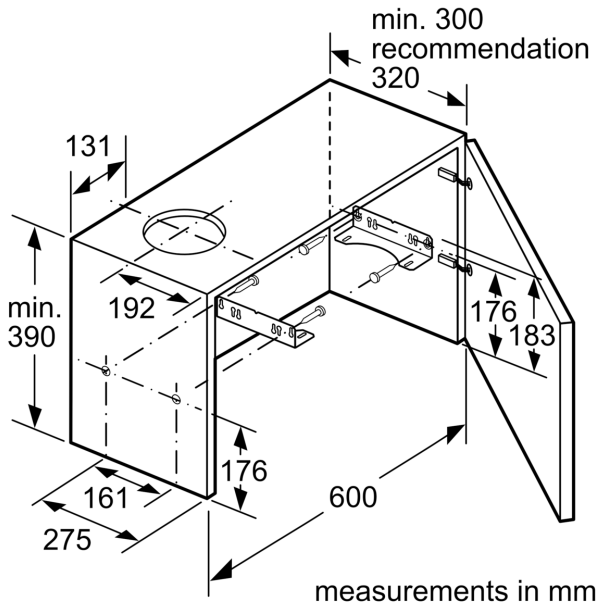
- Automatic On/Off operation when telescopic canopy is pulled out and pushed back
- 2 x 1,5 W LED
- Cassette with alu frame
- Metal grease fliter, dishwasher safe
- Energy efficient Capacitor motor

Technical Information

- Dimensions (HxWxD): 203 x 898 x 290 mm
- Built-in dimensions (HxWxD): 162 x 526 x 290 mm
- Diameter pipe Ø 150 mm (Ø 120 mm enclosed)
- Yes
- Electrical cable length 1.75 m m
- Energy Efficiency Class: C (at a range of energy efficiency classes from A+++ to D)
- Average Energy Consumption: 46.1 kWh/year
- Power rating: 220 W

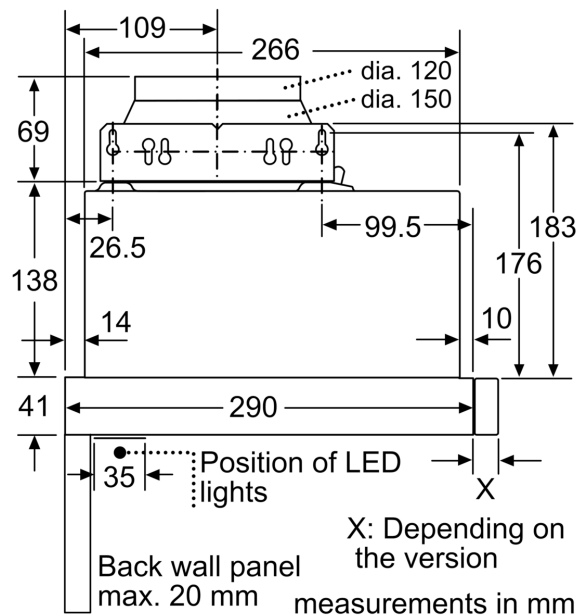
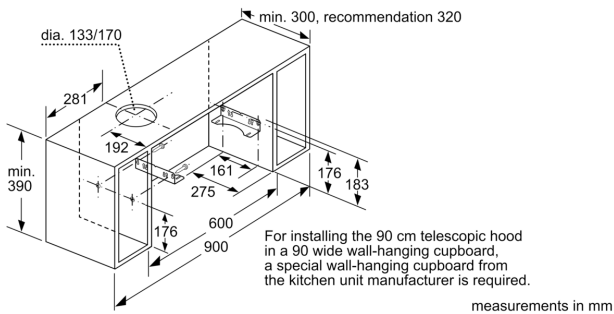
In accordance with the EU-Regulation No 65/2014

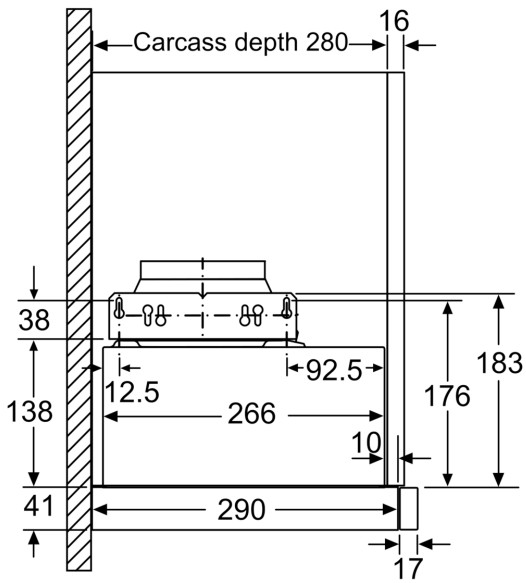
**Series 2, Telescopic cooker hood, 90 cm, Silver metallic
DFM094W53**



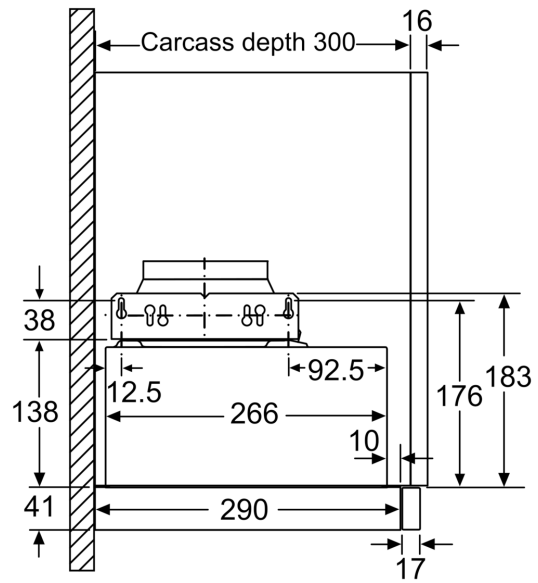
Depth of the filter
drawer can be adjusted
by up to 29 mm

measurements in mm

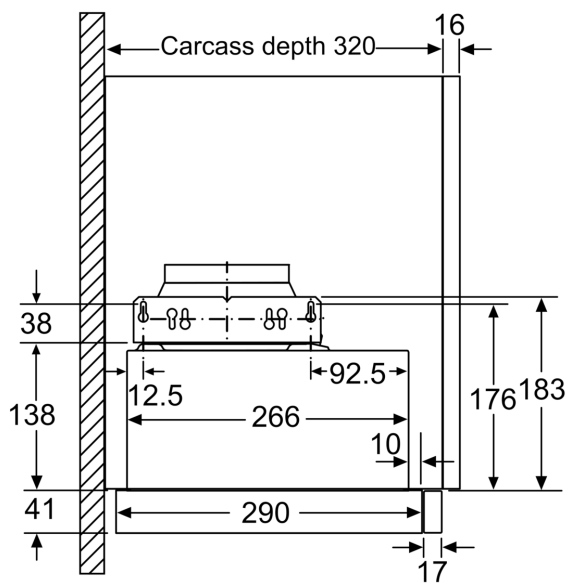




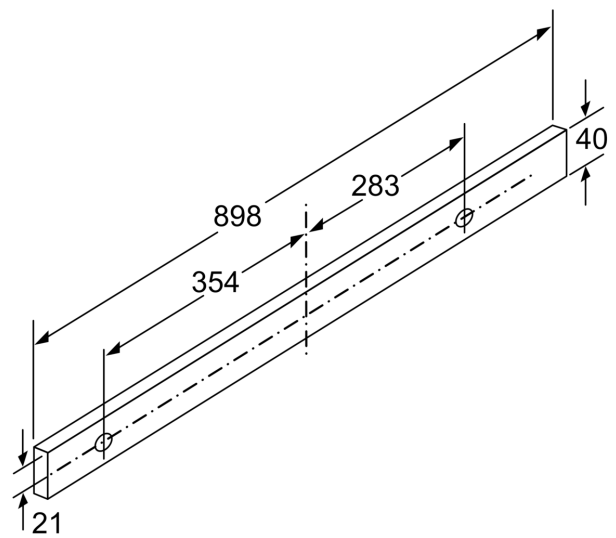
measurements in mm



measurements in mm



measurements in mm



measurements in mm