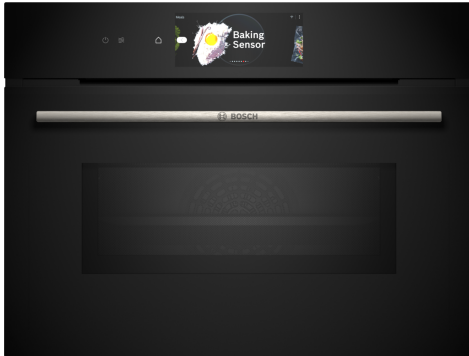


**Series 8, Built-in compact oven with microwave function, 60 x 45 cm, Black
CMG778NB1**



1 x enamel baking tray, 1 x combination grid, 1 x universal pan

HEZ327000 Pizza stone, HEZ531010 Baking tray, non-stick ceramic coated, HEZ532010 Universal pan, non-stick ceramic coated, HEZ617000 Pizza pan, enamelled, HEZ629070 Air Fry & Grill tray, HEZ631070 Baking tray, enamelled, HEZ660060 Strip, HEZ664000 Baking and roasting grid (steam), HEZ915003 Glass roasting dish, 5,4 L, HEZG0AS00 Connecting cable 3m, HEZ632070 Multipurpose pan, enamelled, HEZ634000 Baking and roasting grid (standard), HEZ636000 Glass pan, HEZ660050 Cover Strip

The compact microwave oven with Digital Control Ring and TFT-touchdisplay. Assist function for meals: automatically prepares your dishes, PerfectRoast Plus, PerfectBake Plus, Home Connect for control via the App.

- **Digital Control Ring:** the simple and innovative way to select oven settings.
- **TFT Touch Display Pro:** control with an innovative Digital Control Ring and full TFT touchscreen.
- **Automatic Switch-off:** cooking process automatically stops as soon as the dish is done.
- **PerfectBake Plus:** regulates settings and tells you exactly when to remove dishes from the oven.
- **PerfectRoast Plus:** knows exactly when your roast is done.

Additional function: Microwave combination
 Type of control: Electronic
 Dimensions: 455 x 594 x 548 mm
 Cavity dimensions: 237.0 x 480 x 392.0 mm
 Length electrical supply cord: 150.0 cm
 Net weight: 34.5 kg
 Gross weight: 37.6 kg
 Max. microwave power level: 900 W
 Number of Power Levels: 5
 Turntable: No
 Cavity material: Enamelled steel
 Door opening: Handle
 Clock: Yes
 Included accessories: 1 x enamel baking tray, 1 x combination grid, 1 x universal pan
 Height of the appliance: 455 mm
 Width of the appliance: 594 mm
 Depth of the product: 548 mm
 Max. microwave power level: 900 W
 Connection rating: 3600 W
 Fuse protection: 16 A
 Voltage: 220-240 V
 Frequency: 60; 50 Hz
 Plug type: Gardy plug w/ earthing
 Required cutout/niche size for installation (in): x
 Dimensions of the packed product: 21.25 x 25.59 x 26.77
 Net weight: 76.000 lbs
 Gross weight: 83.000 lbs



Series 8, Built-in compact oven with microwave function, 60 x 45 cm, Black CMG778NB1

The compact microwave oven with Digital Control Ring and TFT-touchdisplay. Assist function for meals: automatically prepares your dishes, PerfectRoast Plus, PerfectBake Plus, Home Connect for control via the App.

Type of oven / heating system:

- Compact oven with microwave with 22 heating methods: 4D hot air, Conventional heat, Hot air grilling, Full width grill, Half width grill, Pizza setting, Bottom heat, Intensive heat, low temperature cooking, Defrost, pre-heating, Dehydrate, Warming, Hotair gentle, Conventional heat gentle, Air fry, microwave, 4D Hot air, Conventional heat, Full width grill, Half width grill, Hot air grilling
- Max. Power: 900 W; 5 Microwave power settings (90 W,180 W,360 W,600 W, boost) with Inverter (MW)
- Intelligent inverter technology: maximum output power will be regulated to 600 W when used in longer operation
- Temperature range 30 °C °C - 300 °C °C
- Cavity volume: 45 l l

Hook-in racks / rails

- Number of shelf levels: 3 PC PC
- 1 level telescopic shelf, full extension, pyrolytic proof, with Stop function

Design

- Control Ring
- Digital Control Ring
- Cavity inner surface: Enamel anthracite

Cleaning:

- Pyrolytic self-cleaning function
- EcoClean Direct program

Comfort

- Oven Assistant with Voice Control
- 2,5"-TFT-color and text display with touch-control buttons
- Electronic clock
- Temperature proposal, Actual temperature display, Heating-up control
- Oven door with SoftOpen and SoftClose, Drop down door
- soft opening
- Supporting systems: Programs
- Air Fry Function
- Rapid heating-up
- Halogen interior lighting
- Integral cooling fan
- Tính năng HomeConnect sử dụng wifi

Accessory

- combination grid, universal pan

Environment and Safety:

- low door temperature
- 4 PC glazed CoolTouch door
- Child lock Automatic switch off Residual heat indicator Start-/Stop button Door contact switch

Technical Information

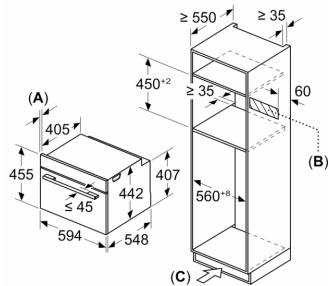
- Length of mains cable: 120 cm
- Nominal voltage: 220 - 240 V
- Total connected load electric: Total connected load electric: 3.6 KW KW

Dimensions:

- Appliance dimension (hxwxh): 595 mm x 594 mm x 548 mm
- Niche dimension (hxwxh): 575 mm-597 mmx560 mm-568 mmx550 mm
- "Please reference the built-in dimensions provided in the installation drawing"

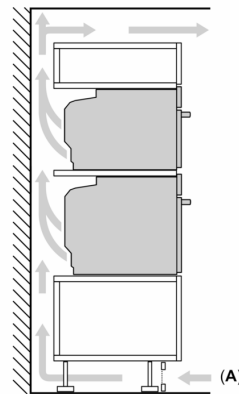
**Series 8, Built-in compact oven with
microwave function, 60 x 45 cm,
Black
CMG778NB1**

Measurements in mm

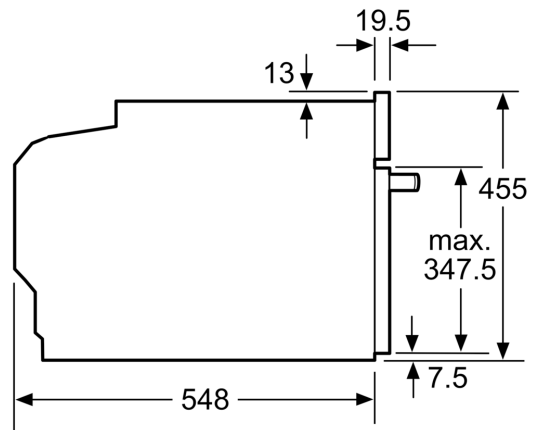
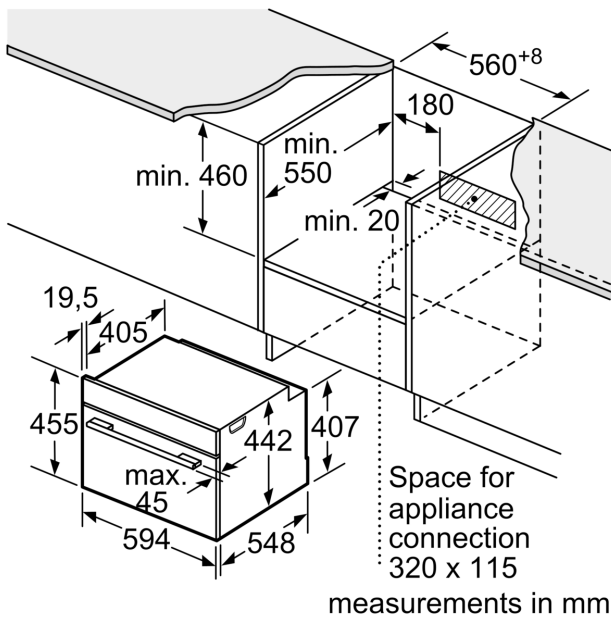


- A: 19.5 mm
- B: Space for appliance connection
320 x 115 mm
- C: Ventilation space in the base \geq
200 cm²

**Installing two appliances on top of each
other
Air exchange**



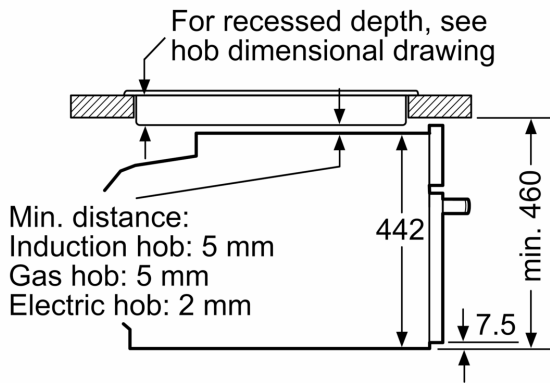
A: Air inlet \geq 200 cm²



measurements in mm

Installation with a hob.

If the compact appliance will be installed underneath a hob, the following worktop thicknesses (including substructure if necessary) must be taken into account.



measurements in mm

Hob type	min. worktop thickness	
	fitted	flush
Induction hob	42 mm	43 mm
Full surface Induction hob	52 mm	53 mm
Gas hob	32 mm	43 mm
Electric hob	32 mm	35 mm