

**Series 8, Built-in accessory drawer,
60 x 14 cm, Black
BIE7101B1**



1 x Anti-slip mat

HEZ32WA00 Wireless food thermometer

**The practical accessory drawer: provides
you with space for small cookware items
and kitchen utensils.**

- **Push-pull mechanism:** easy opening and closing thanks to a practical spring mechanism.

Built-in / Free-standing: Built-in
 Maximum number of plates: 14
 Maximum number of espresso cups: 64
 Dimensions: 140 x 594 x 518 mm
 Dimensions of the packed product (HxWxD): 260 x 650 x 700 mm
 Min. required niche size for installation (HxWxD): 140 x 560 x 550 mm
 Time control: No
 Required cutout/niche size for installation (in): x
 Dimensions of the packed product: 10.23 x 25.59 x 27.55
 Net weight: 37.000 lbs
 Gross weight: 42.000 lbs
 Min. required niche size for installation (HxWxD): 140 x 560 x 550 mm
 Dimensions: 140 x 594 x 518 mm
 Dimensions of the packed product (HxWxD): 260 x 650 x 700 mm
 Net weight: 16.9 kg
 Gross weight: 18.9 kg
 Included accessories: 1 x Anti-slip mat



**Series 8, Built-in accessory drawer,
60 x 14 cm, Black
BIE7101B1**

**The practical accessory drawer: provides
you with space for small cookware items
and kitchen utensils.**

Design

- Stainless steel cavity

Comfort

- Volume: 21 l
- Bar handle

Accessory

- combination grid, universal pan

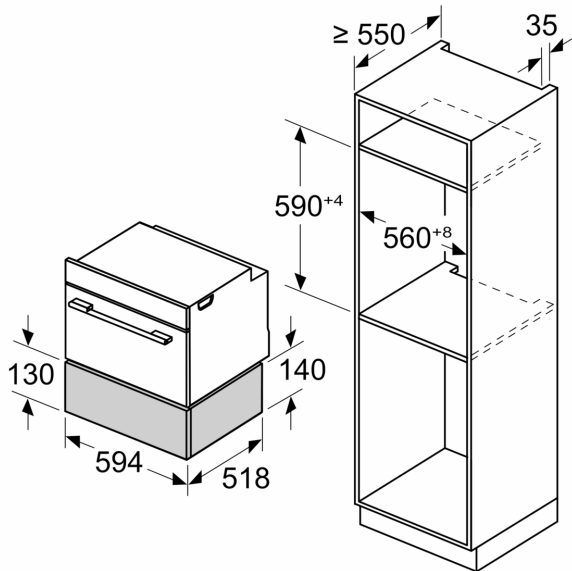
Technical Information

Dimensions:

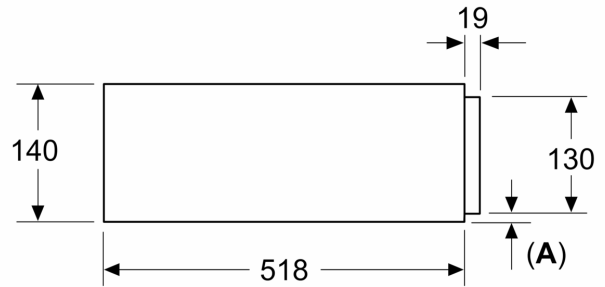
- Appliance dimension (hxwx): 595 mm x 594 mm x 548 mm
- Niche dimension (hxwx): 140 mm x 560 mm - 568 mm x 550 mm
- "Please reference the built-in dimensions provided in the installation drawing"

**Series 8, Built-in accessory drawer,
60 x 14 cm, Black
BIE7101B1**

Measurements in mm



Measurements in mm



A: 7.5 mm

Compact ovens with appliance height of 455 mm can be installed above the warming drawer without an intermediate floor