

**Series 6, Built-In Microwave, 59 x 38 cm, Stainless steel
BEL554MS0B**



1 x grid, 1 x Turntable

HEZ86D000 Steamer Cooker Accessory for Microwave

The built-in microwave for the 38 cm niche: use it for extra fast thawing, heating and perfect preparation of foods.

- **AutoPilot 8:** every dish is a perfect success thanks to 8 pre-set automatic programmes.
- **LED-display control, white:** easy-to-use thanks to direct access to additional functions.
- **Pop-out controls:** Make the front of the oven easy to clean and give it a sleek look.
- **Stainless steel interior:** easy to clean interior thanks to smooth surfaces and no sharp edges.

Additional function:Grill function
 Type of control:Electronic
 Dimensions: 382 x 594 x 388 mm
 Cavity dimensions: 208.0 x 328.0 x 369.0 mm
 Length electrical supply cord: 130.0 cm
 Net weight: 17.8 kg
 Gross weight: 21.6 kg
 Max. microwave power level: 900 W
 Number of Power Levels: 5
 Turntable:Yes
 Cavity material: Stainless steel
 Door opening: Button
 Clock:Yes
 Included accessories: 1 x grid, 1 x Turntable
 Height of the appliance: 382 mm
 Width of the appliance: 594 mm
 Depth of the product: 388 mm
 Max. microwave power level: 900 W
 Connection rating: 1450 W
 Fuse protection: 10 A
 Voltage: 230-240 V
 Frequency: 50 Hz
 Plug type: GB plug
 Required cutout/niche size for installation (in):x
 Dimensions of the packed product: 17.71 x 17.71 x 25.98
 Net weight: 39.000 lbs
 Gross weight: 48.000 lbs



**Series 6, Built-In Microwave, 59 x 38
cm, Stainless steel
BEL554MS0B**

**The built-in microwave for the 38 cm
niche: use it for extra fast thawing,
heating and perfect preparation of foods.**

Design

- LED display control

Comfort

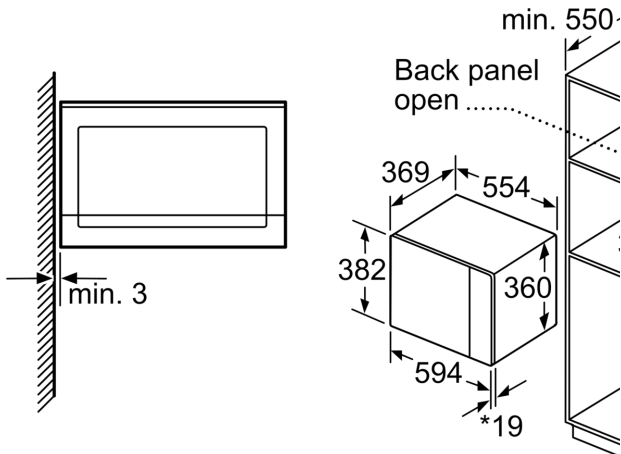
- Electronic clock
- User-friendly electronics: extremely easy and comfortable operation
- 4 defrost and 3 cooking programmes in microwave function, 1 programme for combination function
- Memory for individual programmes (1 setting)
- 31.5 cm glass turntable
- Touch key operation
- Integral cooling fan

Technical Information

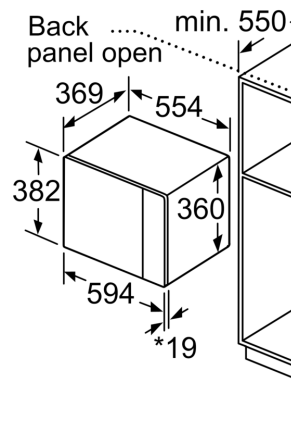
- "Please reference the built-in dimensions provided in the installation drawing"

**Series 6, Built-In Microwave, 59 x 38 cm, Stainless steel
BEL554MS0B**

Microwave,
corner installation



* 20 mm for metal fascia



* 20 mm for metal fascia

