

**800 Series, Heat Pump Dryer, Silver
inox
WQB245AXUC**



- **Self-Cleaning Condenser™:** rinses fluff from the condenser with every cycle, eliminating the need to clean it by hand.
- **Perfect for Compact Spaces:** can be installed in multiple configurations at 24".
- **Home Connect®:** allows you to remotely start your washer and dryer, and receive cycle notifications.
- **Wrinkle block reduces creasing and wrinkle build-up for up to 2 hours after the end of a program.**
- **Home Connect® with Smart Dry: let Smart Dry select the right drying program**

Number of Options: 13
 Timed Dry: No
 Display: Yes
 Status Indicator: LED-Display

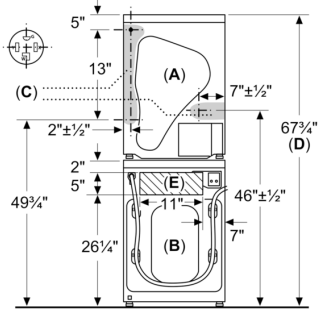


-
- WMZ20600 Wool in basket - accessory
 - WTZ2750XUC Stacking kit with pull-out shelf
 - WTZ2751XUC Stacking kit
 - WTZPA20UC RNA Power Adapter, Dryer
 - WTZPA30US RNA Power Adapter, Dryer (3-Prong)
 - WTZPW2XD Platform with pull-out, dryer, cubic

800 Series, Heat Pump Dryer, Silver inox WQB245AXUC

measurements in inches

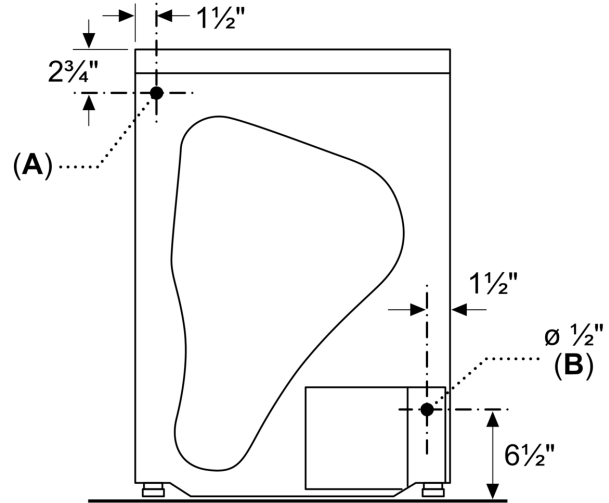
Guidance for location of Dryer receptacle and Water taps to minimize depth allowance (Not to Scale)



- A: Dryer
- B: Washer
- C: Axis lines, in shaded areas, indicate Center Line of home's Dryer receptacle for minimal depth allowance if located entirely behind appliances.
- D: Minimum Stack Height (with Stacking Kit)
- E: Hatched area - indicates location for home's Hot and Cold water taps/outlets for minimal depth if located entirely behind appliances.

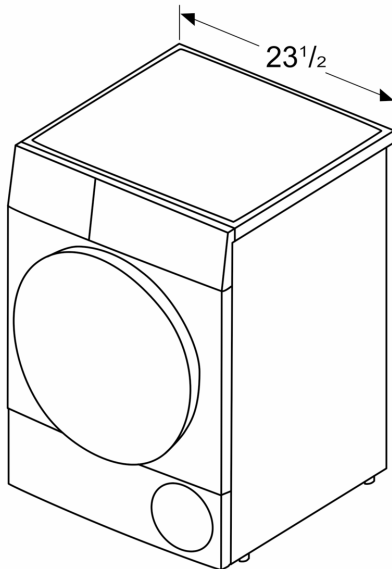
Installer / Customer is responsible for fit, function, maintenance and safety of utility installation.

measurements in inches

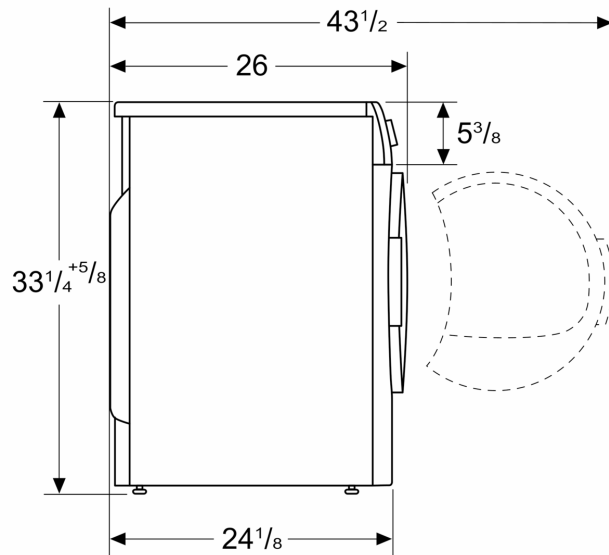


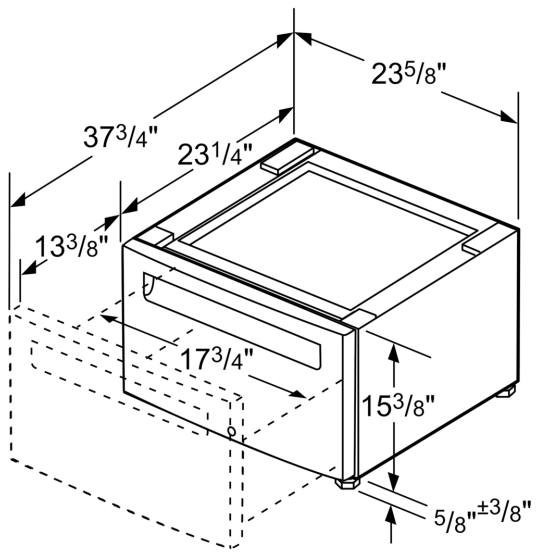
- A: Power cord exit
- B: Drain exit

Measurements in inches



Measurements in inches





measurements in inches