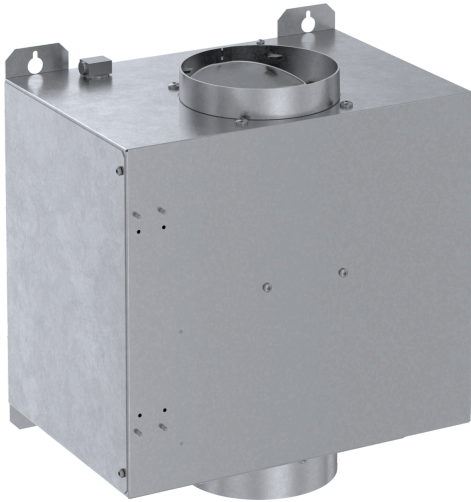


**Blower  
VT11FZ**



**600 CFM inline blower can be mounted along the duct line anywhere between the kitchen and the exterior wall**

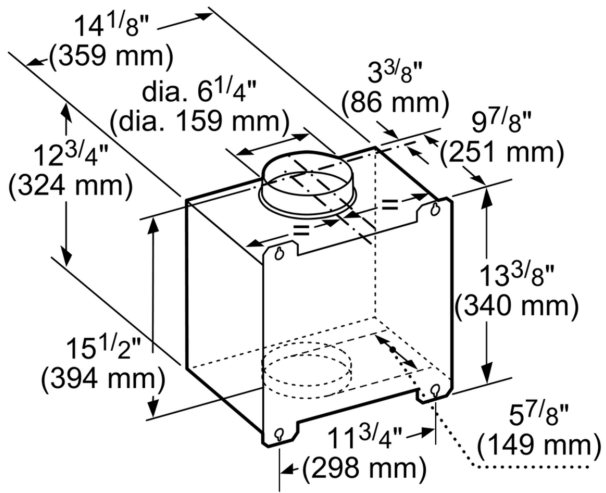
- EXTNCB25W 25-ft blower connector cable available, sold separately
- Mounted along the duct line between the kitchen and the exterior wall
- 6-inch round duct exhaust
- Powerfully Quiet® blowers sold separately from ventilation hoods
- 600 CFM to create the ultimate cooking system with Thermador cooktops

Product group: .....Accessory  
 Brand: .....Thermador  
 Product name / series name:  
 SKU: .....VT11FZ  
 Internal article number: .....VT11FZ  
 EAN code: .....825225964872  
 Product Packaging Dimensions (HxWxD): ..... 16.2" x 26" x 22.6"  
 Net Weight: ..... 19.000 lbs  
 Gross Weight: .....21.000 lbs  
 Quantity per packing unit:  
 Standard number of units per pallet:  
 UPC code: .....825225964872  
 Product image: .19805456\_VT11FZ\_Front\_Facing\_3000\_3000\_0038\_def.jpg



EXTNCB25 25' Blower Connection Cable

**Blower  
VTI1FZ**



measurements in inches (mm)